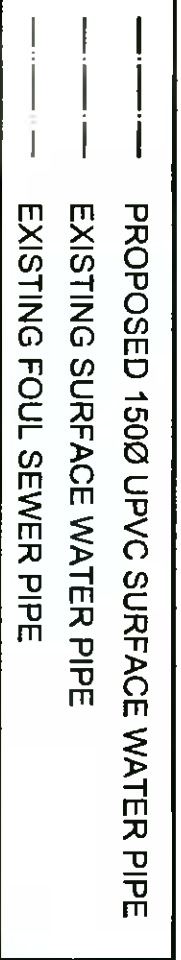
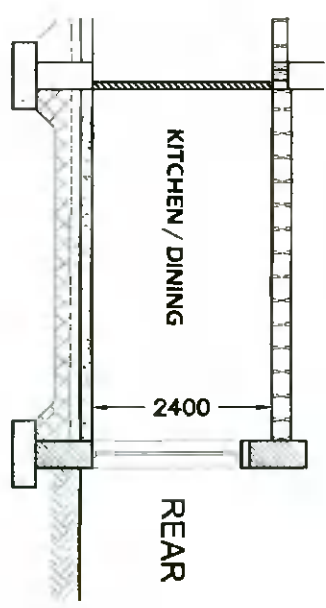


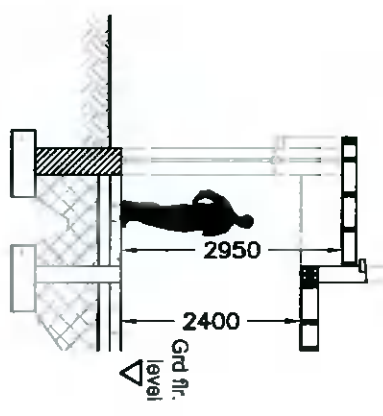
Proposed Block Plan & Drainage Layout  
SCALE 1:200



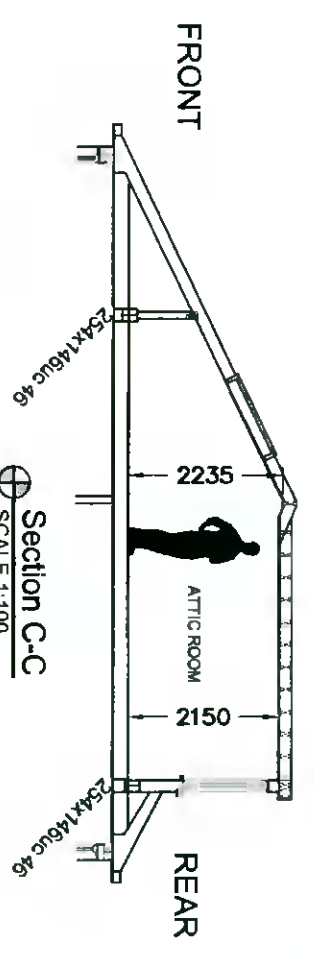
DRAINAGE LEGEND



Section A-A  
SCALE 1:100



Section B-B  
SCALE 1:100



Section C-C  
SCALE 1:100

THIS DRAWING IS ISSUED FOR PLANNING PERMISSION ONLY, AND IS NOT A CONSTRUCTION DRAWING

NOTES:

This drawing is to be read in conjunction with all relevant Engineers drawings.  
Do not scale use figured dimensions ONLY.  
All dimensions in millimeters unless otherwise stated.  
All dimensions to be checked on site.  
All building works to comply with current building regulations & in accordance with Homebond Standards.

TITLE:

PROPOSED BLOCK PLAN,  
DRAINAGE LAYOUT & SECTIONS

CLIENT:  
**JOHN NOTT**

JOB TITLE:  
PROPOSED WORKS AT 18 WOODSTOWN  
MEADOW, KNOCKLYON, DUBLIN 16

Architectural Planning

4 CARRIGMORE CLOSE, AYLESBURY,  
Dublin 24 - Ph: 01 4148358

ISSUED FOR PLANNING	TW	MAY 2022
REV: REVISION TITLE:	DRN: CHD:	DATE:

SCALE: AS SHOWN	INITIALS: TW	DATE: MAY 2022
JOB No: S426	DRAWING No: 003	REV: P