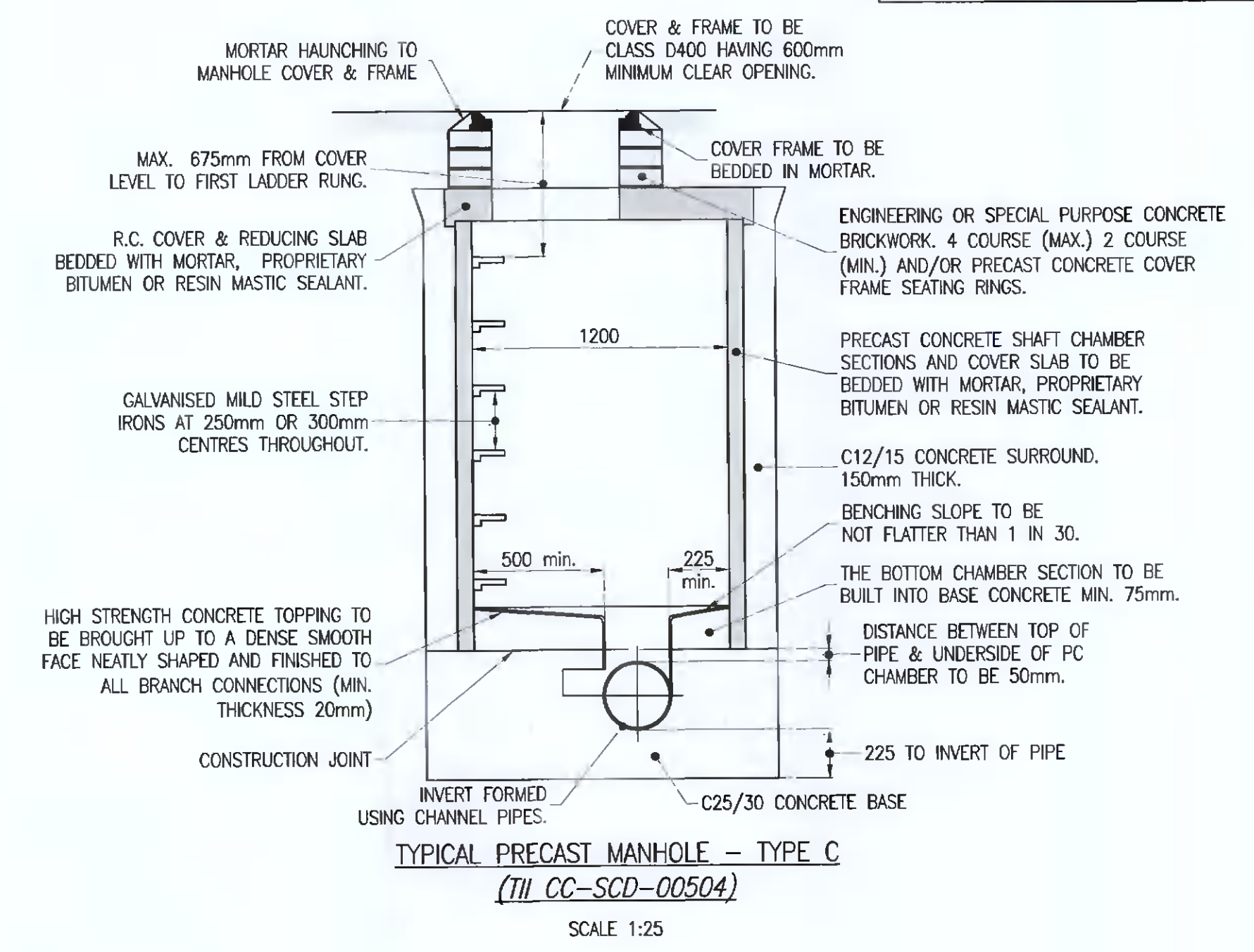
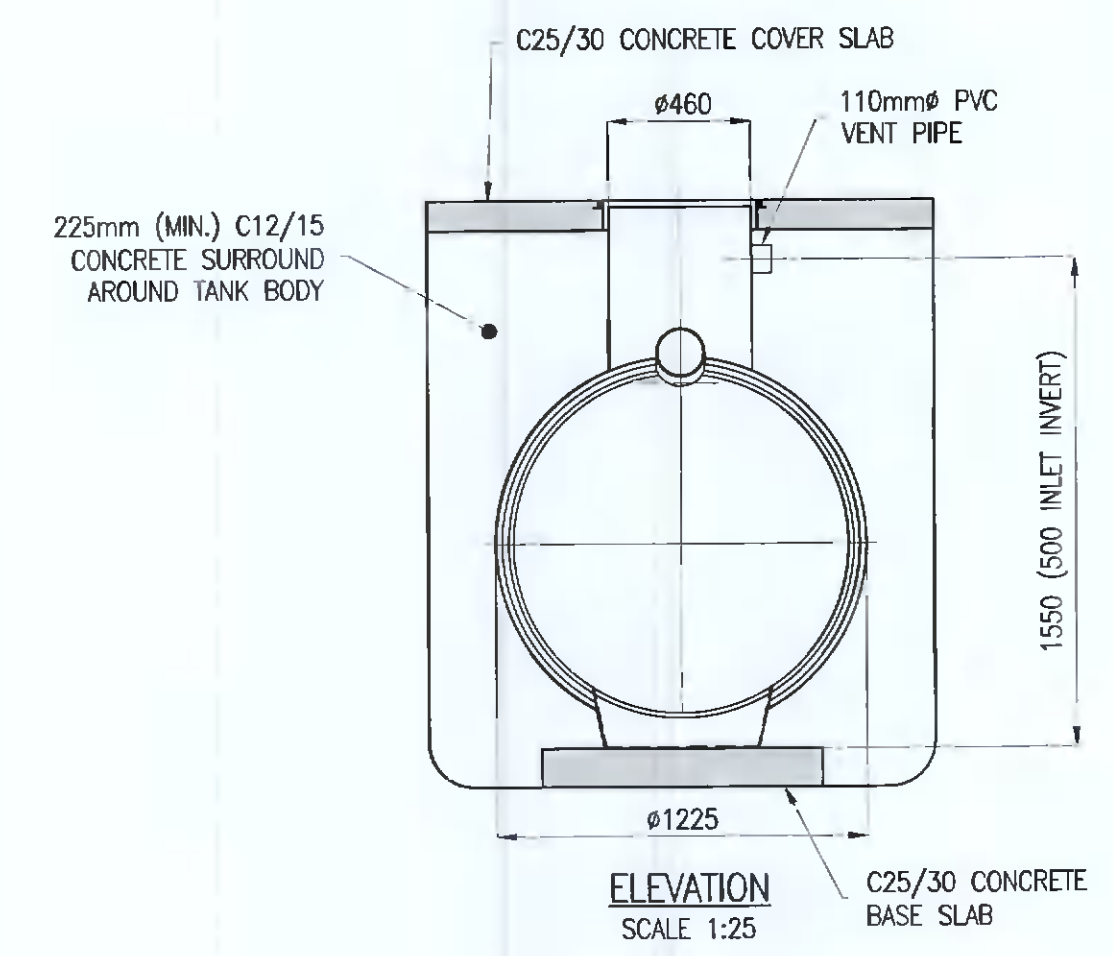
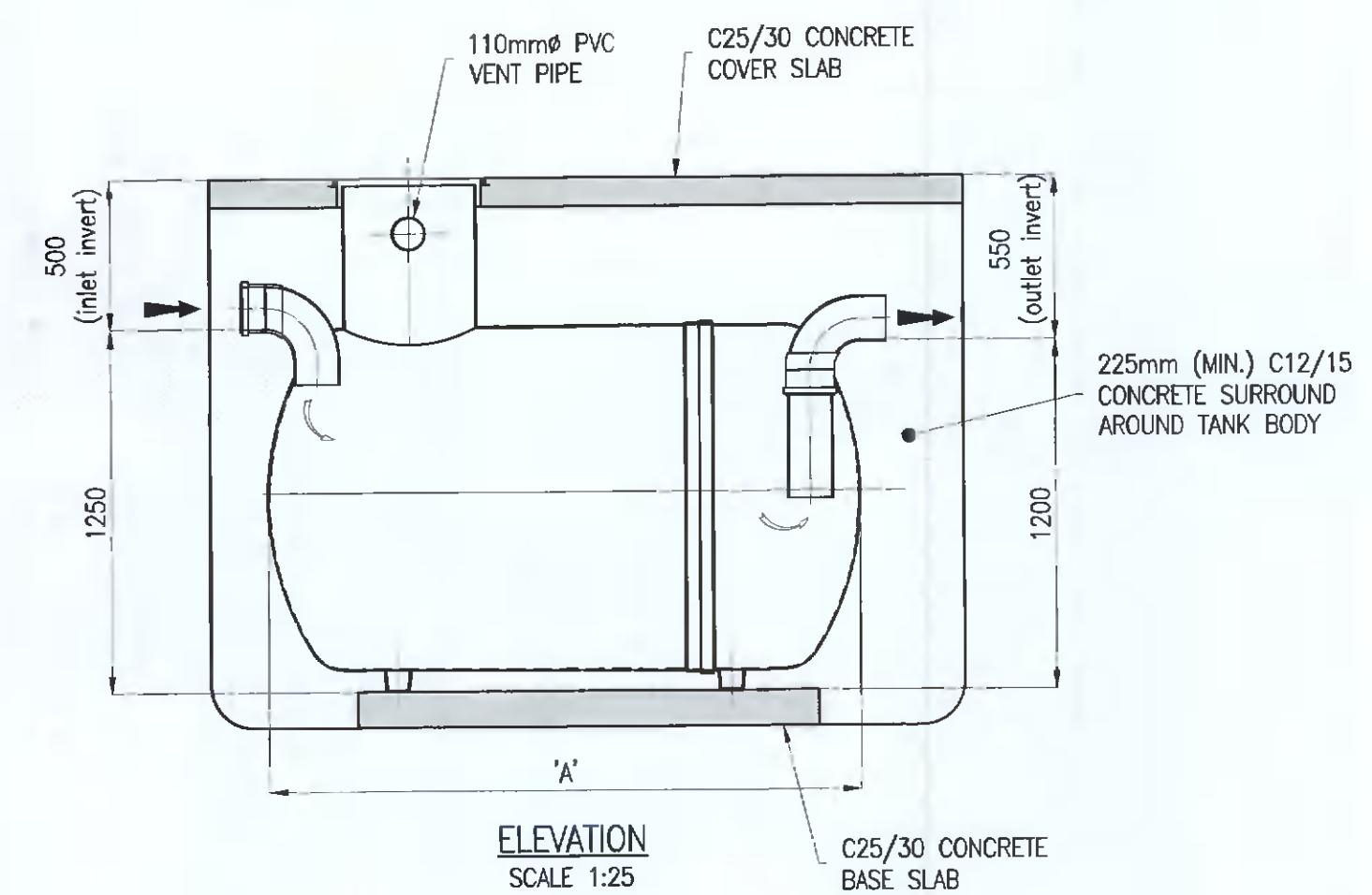
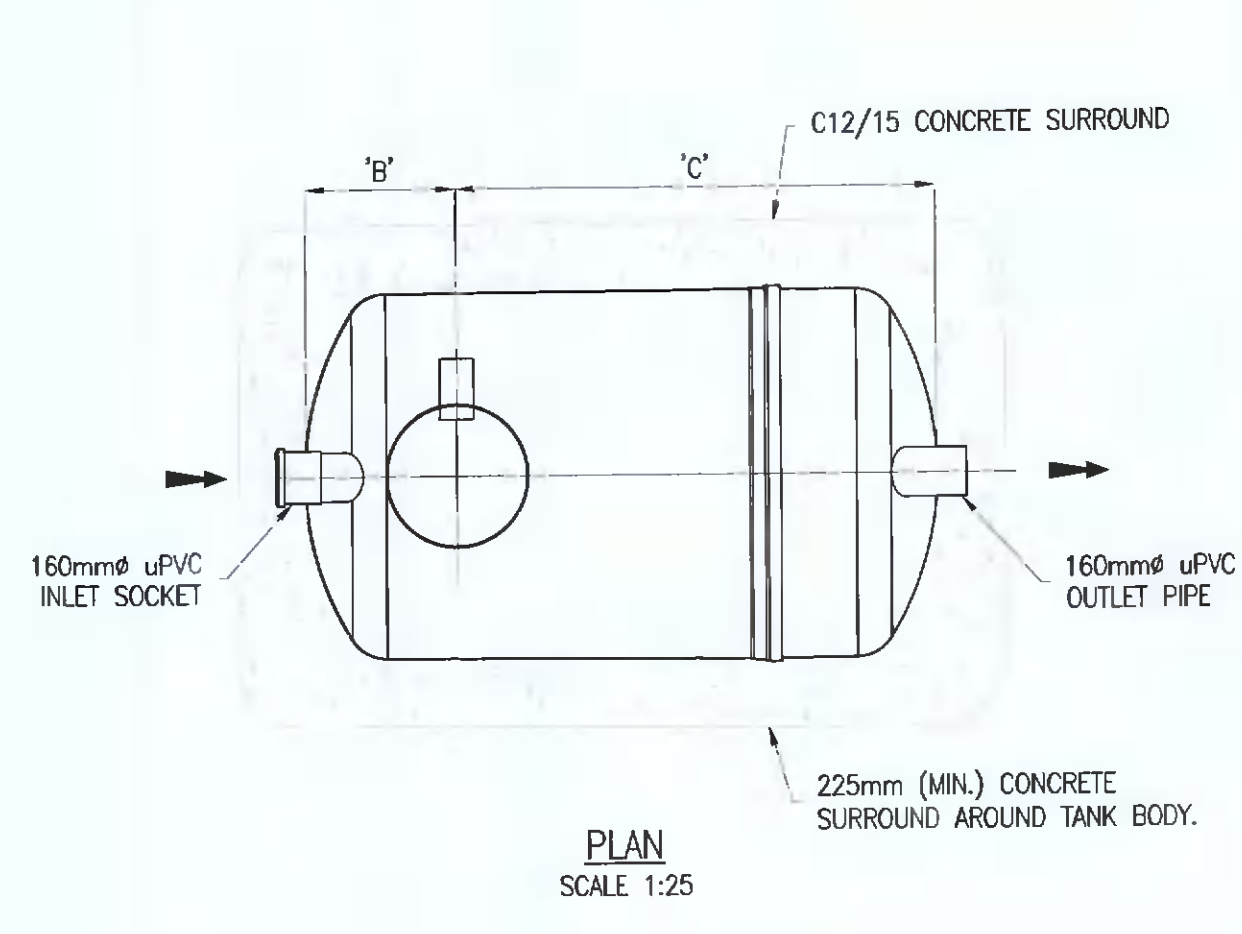


NOTES:  
 THIS DRAWING IN WHOLE OR IN PART SHALL NOT BE COPIED WITHOUT THE PRIOR PERMISSION OF McArdle Doyle Ltd.  
 ALL WORKS TO COMPLY WITH THE CURRENT BUILDING REGULATIONS.  
 DO NOT SCALE.  
 ORDINANCE SURVEY IRELAND LICENCE No. AR 0105721  
 © ORDINANCE SURVEY IRELAND / GOVERNMENT OF IRELAND



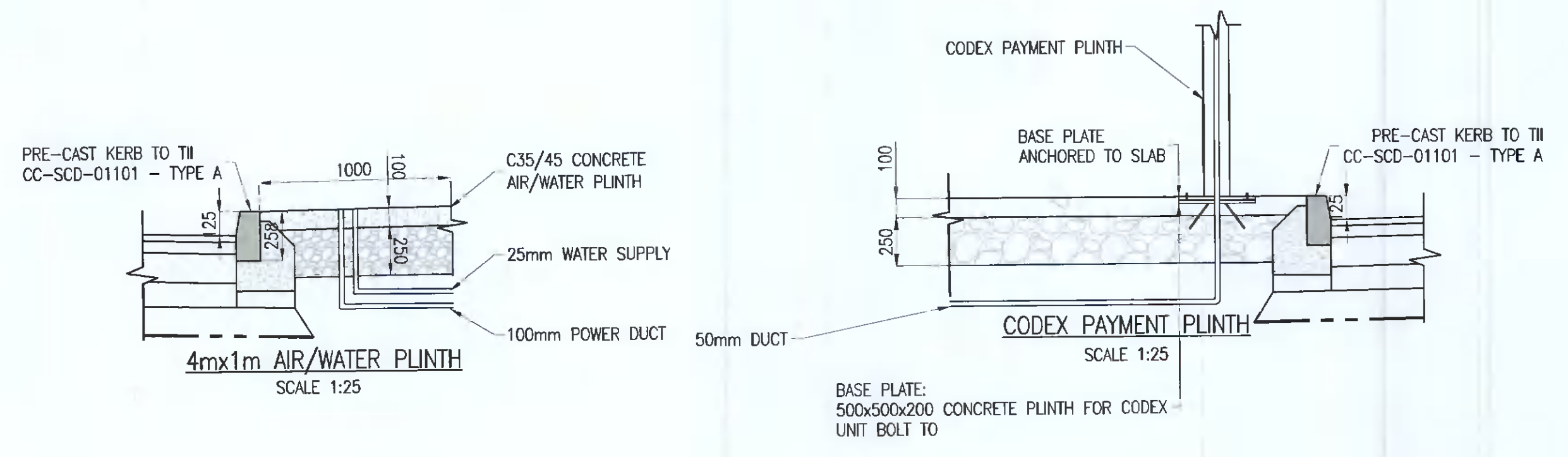
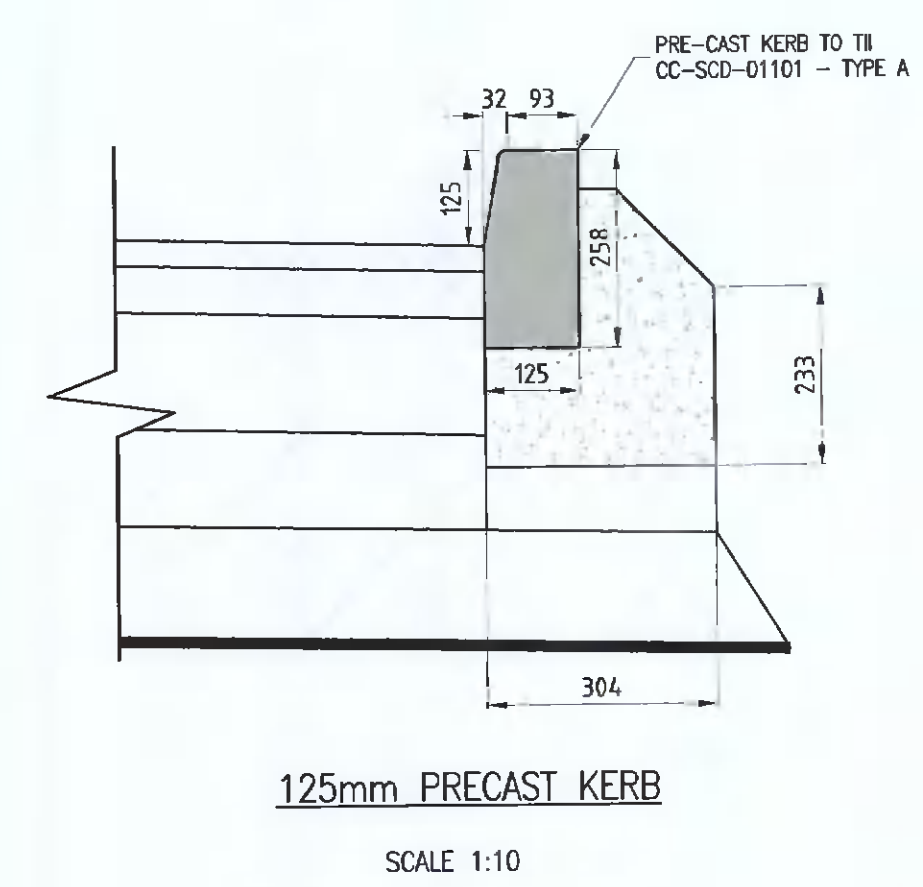
- NOTES**
1. UNITS CAN BE SUPPLIED WITH EXTENSION SHAFTS IN 0.5m INCREMENTS.
  2. STANDARD INLET / OUTLET PIPES ARE PVC-U UNDERGROUND DRAINAGE TO BS4660. FOR OTHER PIPE SIZES AND TYPES AVAILABLE CONSULT KLARGESTER.
  3. STANDARD IN-LINE ORIENTATION SHOWN. FOR OTHER ORIENTATIONS SEE DOCUMENT TDS0033.
  4. IT IS ESSENTIAL THAT THIS DRAWING IS READ INCONJUNCTION WITH THE INSTALLATION INSTRUCTIONS (SUPPLIED WITH UNIT). THIS DRAWING SHOULD BE USED FOR DIMENSIONAL INFORMATION ONLY.

**CARWASH SEPARATOR DETAILS**  
 KLARGESTER W1/030

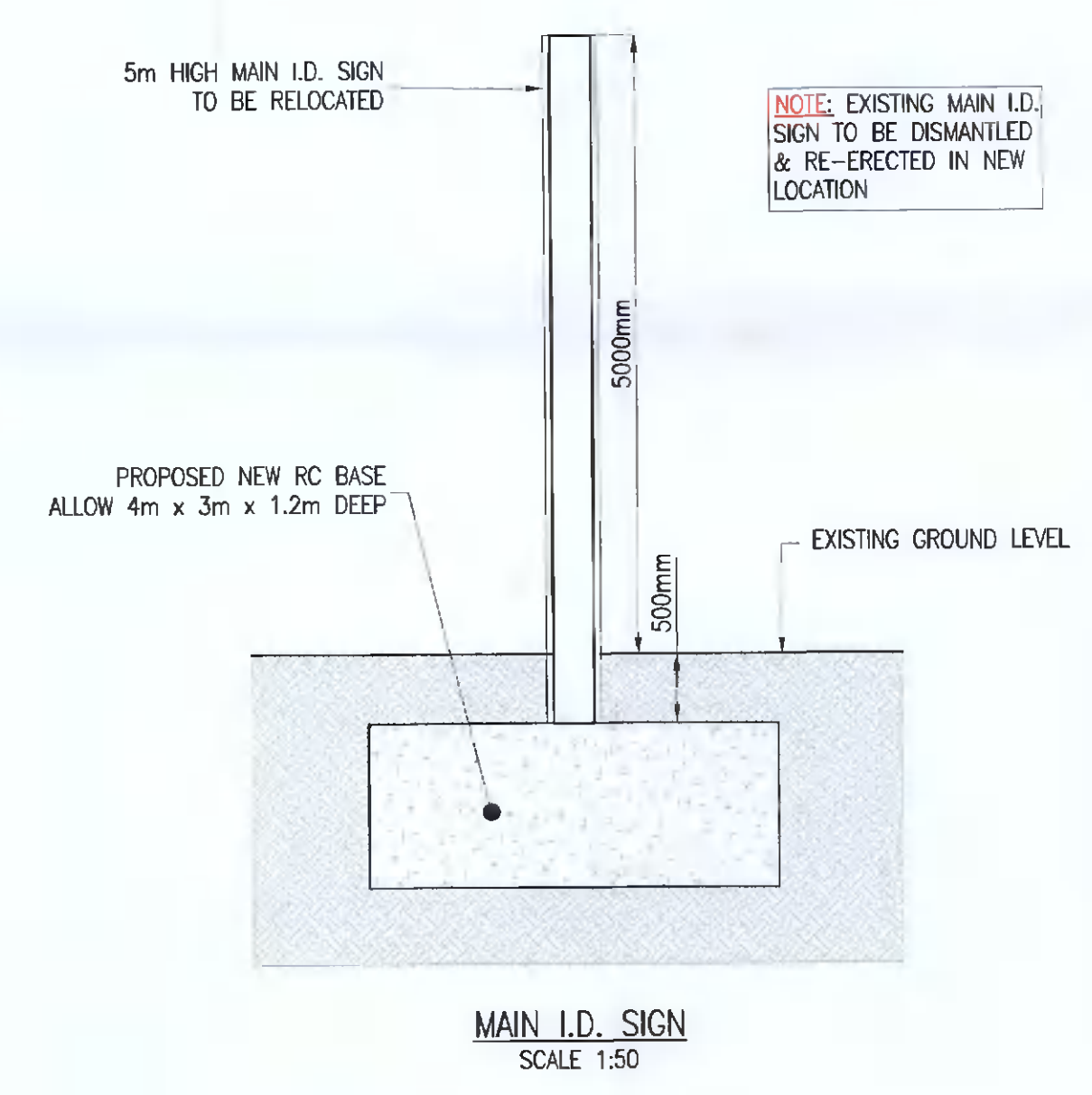
**DIMENSIONS**

UNIT REF No.	DIM 'A'	DIM 'B'	DIM 'C'	WORKING CAPACITY	APPROX. WEIGHT		FALL ACROSS UNIT
					EMPTY	FULL	
W1/030	2952	700	2252	3005L	95 Kg	3100 Kg	50

MAIN CONTRACTOR TO SUPPLY AND INSTALL ALL SEPARATORS



BASE PLATE:  
500x500x200 CONCRETE PLINTH FOR CODEX UNIT BOLT TO



Rev.	Description	Date
A	ISSUED FOR FURTHER INFORMATION	GDR 19.05.22
-	ISSUED FOR PLANNING	GF 01.12.21

**McArdle Doyle**  
 Second Floor Exchange Building The Long Walk Dundalk, Co. Louth

Chartered Engineers Architectural Services & Project Managers  
 mail@mcardle-doyle.ie +353(0) 42 942 9052

PROJECT:  
**PROPOSED CARWASH AT NINTH LOCK SERVICE STATION**



DRAWING TITLE:  
**FORECOURT DEATILS**

Date	Drawn	Checked	Approved
01/12/21	GF	JF	JF
Scale at A1 AS SHOWN	Drawing Number P2177.NIN.C10	Status PL	Rev. A