

ROOF TILES LAID ON 50x25 BATTENS LAID OVER UNTEARABLE ROOFING FELT. FELT TO RUN OUT OVER FILLET PIECE AND INTO PVC GUTTER  
 ROOF TILES TO SUIT LOW ROOF PITCH  
 ROOF TRUSS RAFTERS 150x50mm @400 C.C. ON 100x75 WALL PLATES SUPPORT WITH 175x75 PURLINS AND 150x50 HANGERS & TIES TO COMPLY WITH I.S. 193

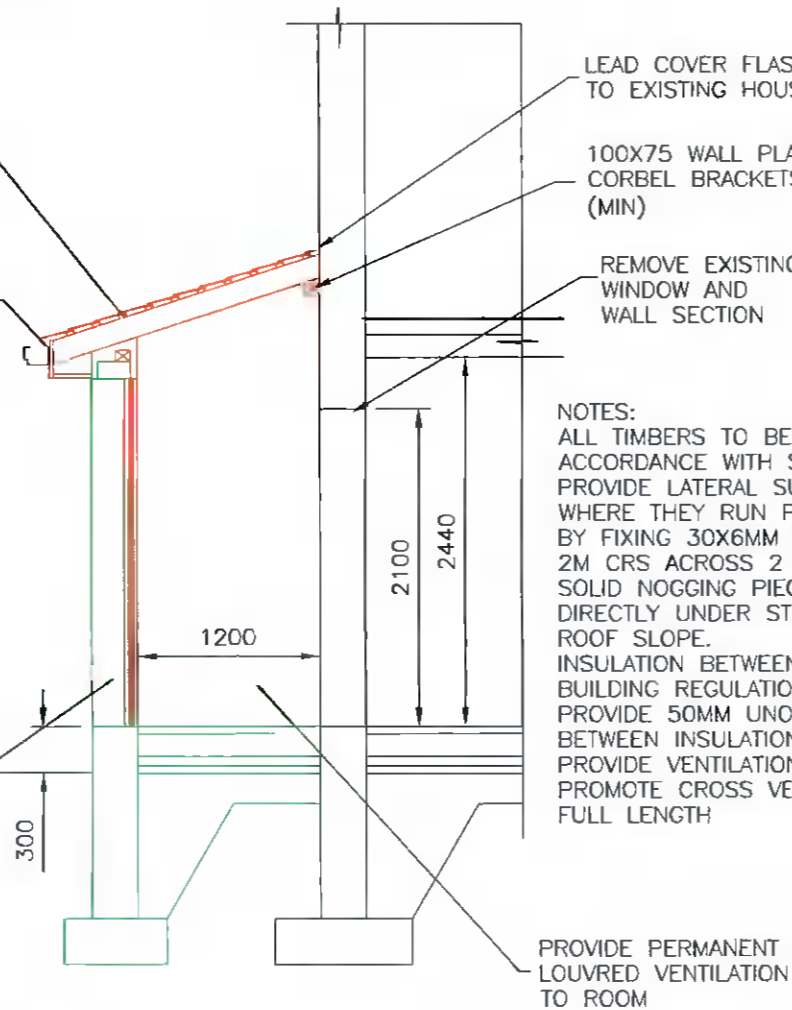
UPVC GUTTER AND FASCIA

LEAD COVER FLASHING TO EXISTING HOUSE  
 100X75 WALL PLATE c/w M.S. CORBEL BRACKETS @ 1M CRS (MIN)

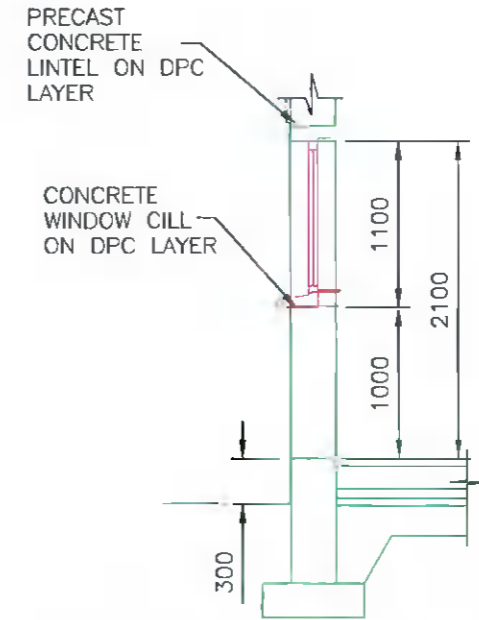
REMOVE EXISTING WINDOW AND WALL SECTION

NOTES:  
 ALL TIMBERS TO BE SCB AND IN ACCORDANCE WITH SR 11 1991.  
 PROVIDE LATERAL SUPPORT TO WALLS WHERE THEY RUN PARALLEL TO JOISTS, BY FIXING 30X6MM GALV. M.S. STRAPS AT 2M CRS ACROSS 2 NO JOISTS.  
 SOLID NOGGING PIECES TO BE FIXED DIRECTLY UNDER STRAPS. DITTO ALONG ROOF SLOPE.  
 INSULATION BETWEEN RAFTERS TO BUILDING REGULATIONS.  
 PROVIDE 50MM UNOBSTRUCTED AIR SPACE BETWEEN INSULATION AND ROOF FELT.  
 PROVIDE VENTILATION AT EAVES TO PROMOTE CROSS VENTILATION 10MM STRIP FULL LENGTH.  
 PROVIDE PERMANENT LOUVRED VENTILATION TO ROOM

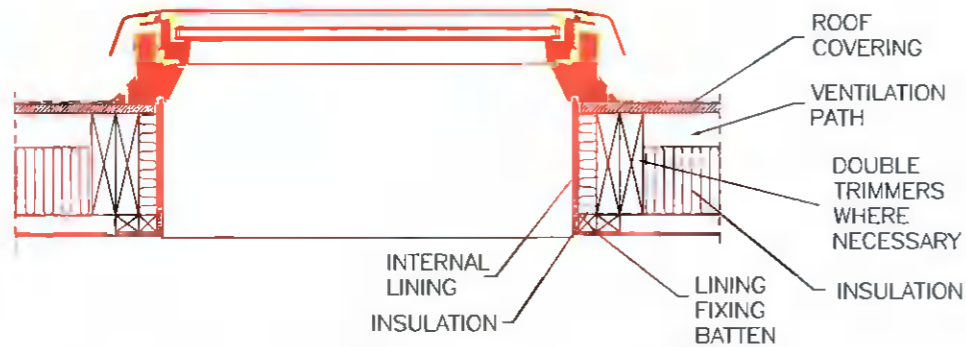
WALL CONSTRUCTION  
 SELECTED RENDER TO MATCH EXISTING HOUSE ON 215 HOLLOW CONCRETE BLOCK WITH 90mm XTRATHERM THIN-R/TLMF (FOILBACKED) BONDED TO 12.5 PLASTERBOARD MECHANICALLY FIXED TO INNER FACE AND WITH 6mm PLASTER SKIM FINISH



**SECTION VIEW SHOWING PROPOSED BAY WINDOW EXTENSION**



**TYPICAL WINDOW DETAIL**



**TYPICAL ROOF WINDOW DETAIL**



The information contained in this drawing is confidential and must not be divulged to any third party without the written consent of 4bes Design Services.



38 Larkfield Avenue  
 Lucan  
 Co. Dublin

No.57 Dodder Rd Lower,  
 Rathfarnham, Dublin 14,  
 D14 YY86

**PROPOSED SECTION AND DETAILS**

DRAWN	JOHN FORBES , 38 LARKFIELD AVE. , LUCAN, Co. DUBLIN	
DATE	May 2022	Aidan McLaughlin & Maria McGrath
SCALE	1:50 @ A3	<b>DRL - 14</b>