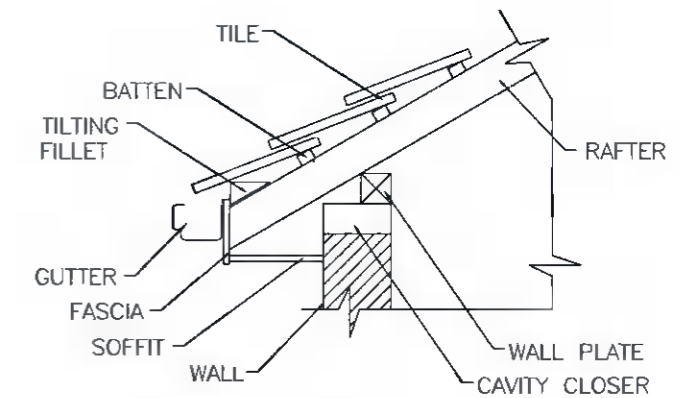


1. Mortar 1:3 cement/sand pigmented to approved colour.
2. Fix 600mm wide underlay, overlapping the main underlay
3. Fix hip to iron (to BS 5534: Part 1: Clause 12) to hip rafter.
4. Cut slates to fit closely at junction.
5. Lay hip ridge tiles true and bed edges and joints firmly in mortar, struck off smoothly to provide a flush finish.
5. Cut first tile to align with corner of eaves.
6. Fill end of hip with mortar and slips of slate finished flush.



TYPICAL ROOF DETAIL

SECTION VIEW SHOWING PROPOSED EXTENSION



The information contained in this drawing is confidential and must not be divulged to any third party without the written consent of 4bes Design Services.



38 Larkfield Avenue
Lucan
Co. Dublin

No.57 Dodder Rd Lower,
Rathfarnham, Dublin 14,
D14 YY86

**PROPOSED SECTION AND
DETAILS**

DRAWN	JOHN FORBES , 38 LARKFIELD AVE. , LUCAN, Co. DUBLIN	
DATE	May 2022	Aidan McLaughlin & Maria McGrath
SCALE	1:50 @ A3	DRL - 12