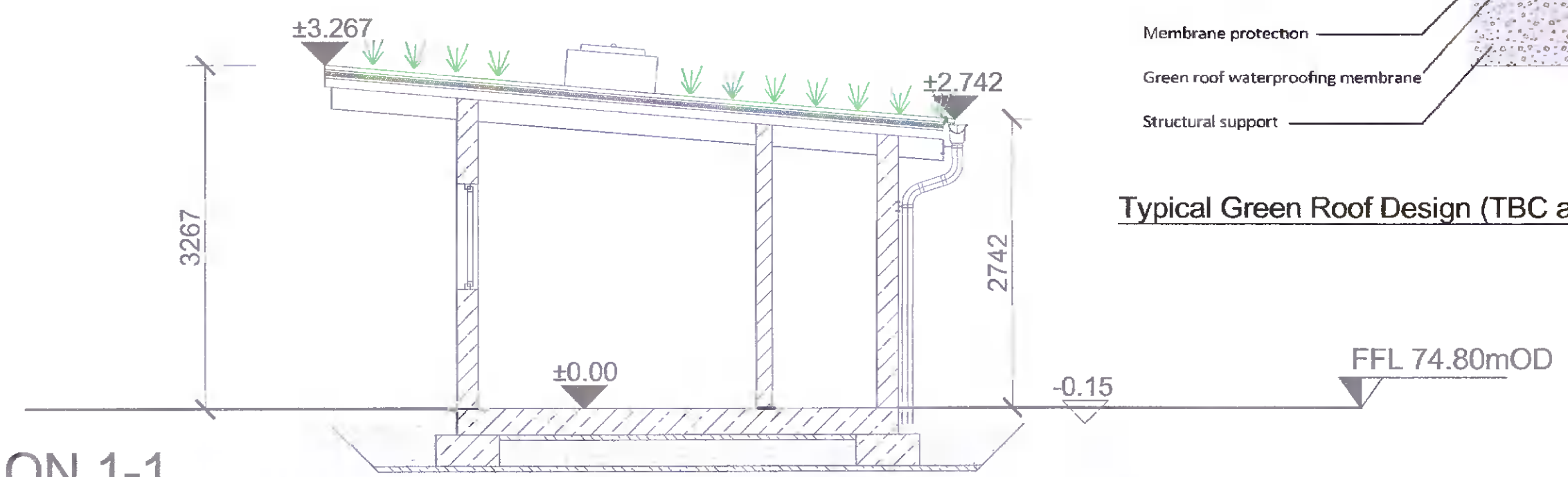


GROUND FLOOR

SECTION 1-1



Typical Green Roof Design (TBC at Detailed design stage)

NOTES:

1. FIGURED DIMENSIONS ONLY TO BE TAKEN FROM THIS DRAWING.
2. ALL DRAWINGS TO BE CHECKED BY THE CONTRACTOR ON SITE.
3. ENGINEER/EMPLOYERS REPRESENTATIVE, AS APPROPRIATE, TO BE INFORMED BY THE CONTRACTOR OF ANY DISCREPANCIES BEFORE ANY WORK COMMENCES.
4. THE CONTRACTOR SHALL UNDERTAKE A THOROUGH CHECK FOR THE ACTUAL LOCATION OF ALL SERVICES/UTILITIES, ABOVE AND BELOW GROUND, BEFORE ANY WORK COMMENCES.
5. ALL LEVELS SHOWN RELATE TO ORDINANCE SURVEY DATUM AT MALIN HEAD.

As agreed with South Dublin County Council in the pre-application consultation meeting the final finishes, including cladding materials and colour codes, will be agreed with the Council post planning through planning condition. Greener Ideas Limited will ensure only Council approved finishes are applied on site.

Rev	Date	Description	By	Chkd.
B	23.05.22	CF ISSUE	MN	LB
A	02.03.22	PLANNING ISSUE	MN	M&C

Client:

Project: **PROFILE PARK POWER PLANT**

Title: **SECURITY HUT PLAN, ELEVATIONS & SECTION**

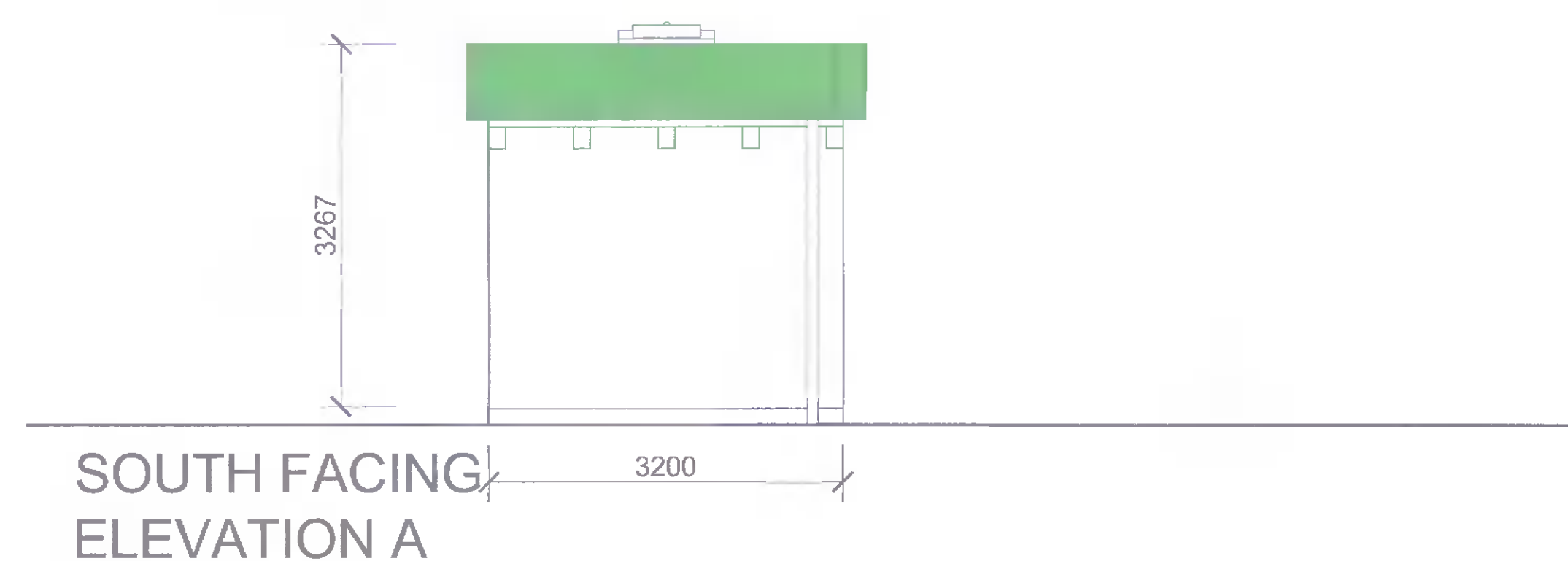
Scale @ A1:	1:50	
Prepared by:	Checked:	Date:
M. Nolan	M. McCarthy	March 2022
Project Director:	S. Tinnelly	
Drawing Status:	Planning	

TOBIN
CONSULTING ENGINEERS

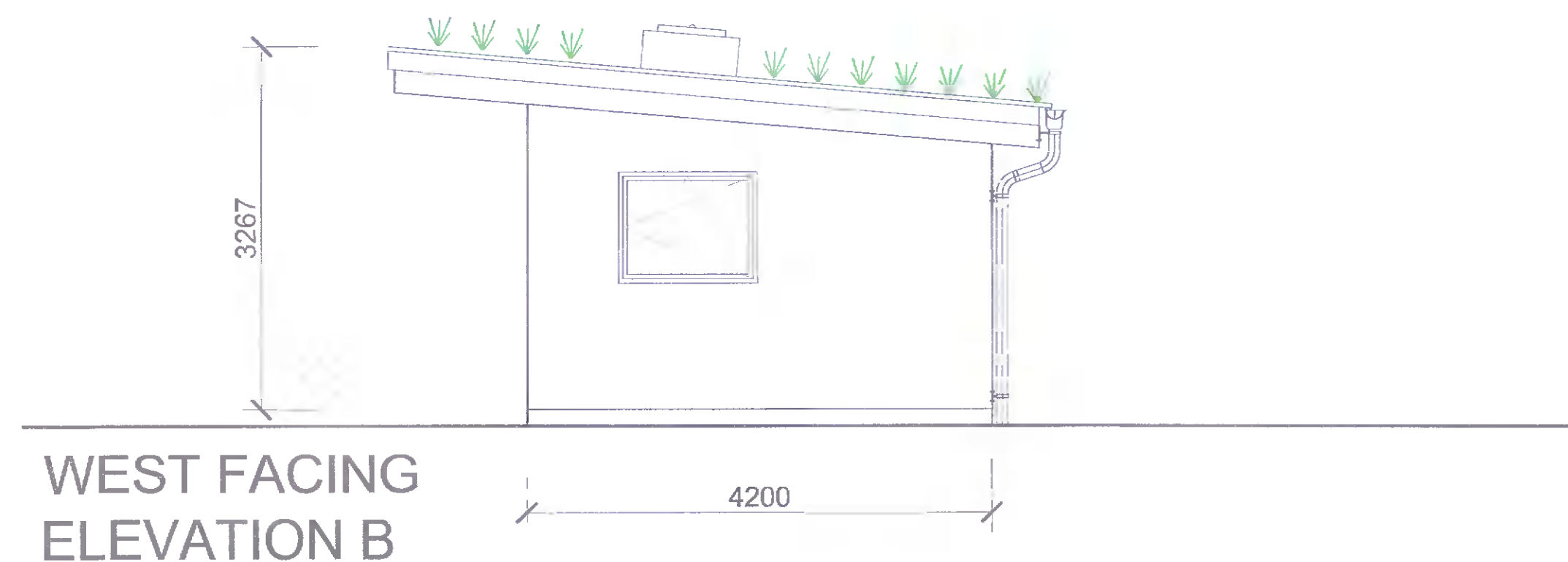
Block 10-4, Blanchardstown Corporate Park, Dublin 15, Ireland.
tel: +353-(0)1-8030406
fax: +353-(0)1-8030409
e-mail: dublin@tobin.ie
www.tobin.ie

Tobin Consulting Engineers will not be liable for any use of this document for any purpose other than that for which it was originally prepared and provided. Except where specifically and explicitly agreed in writing by Tobin Consulting Engineers, no copyright holder, no part of this document may be reproduced or transmitted in any form and this document shall not be relied upon by any third party for any purpose.

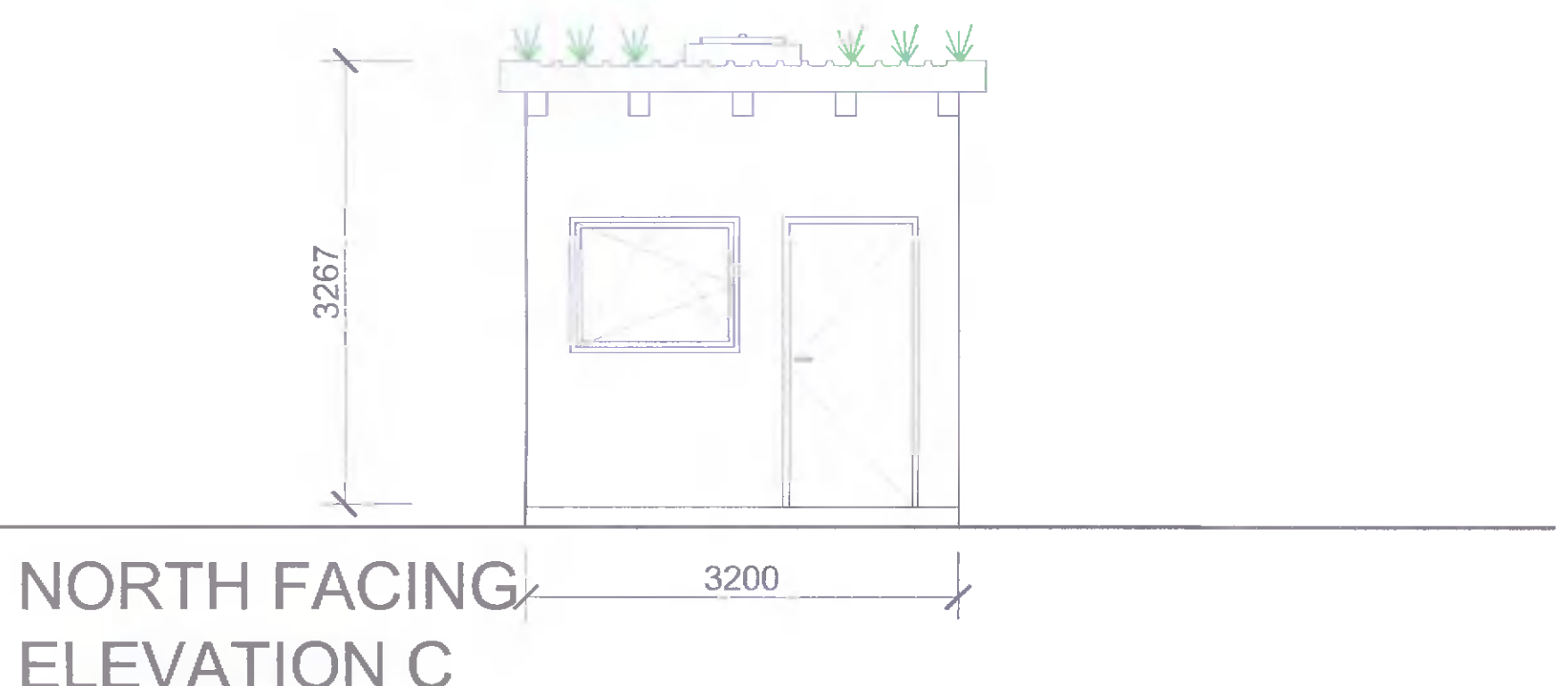
Drawing No.: **11069-2053** Revision: **B**



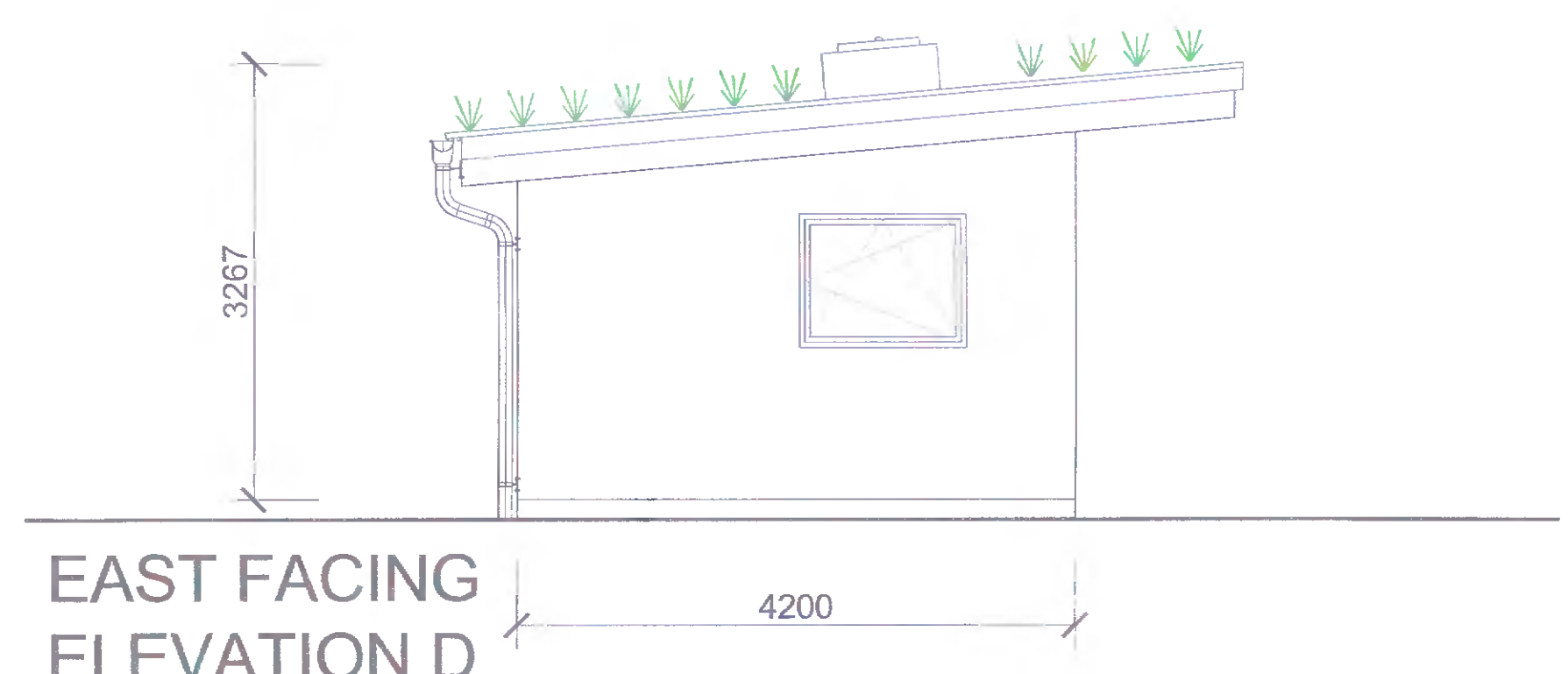
SOUTH FACING ELEVATION A



WEST FACING ELEVATION B



NORTH FACING ELEVATION C



EAST FACING ELEVATION D