

NORTH-WEST ELEVATION VIEW D-D
SCALE 1:75

No.	Revision	Date	By	Ckd
C	PLANNING RETENTION ISSUE	22.08.10	MS	SRB
B	DIMENSIONS ADDED TO EQUIPMENT LAYOUT PLAN	17.06.10	RFW	J.
A	SITE LAYOUT SCALE REVISED, DISH 1 & 2 ADDED	09.06.10	MK	J.



EIR Mobile
1 Heuston South Quarter
St. Johns Road
Dublin 8



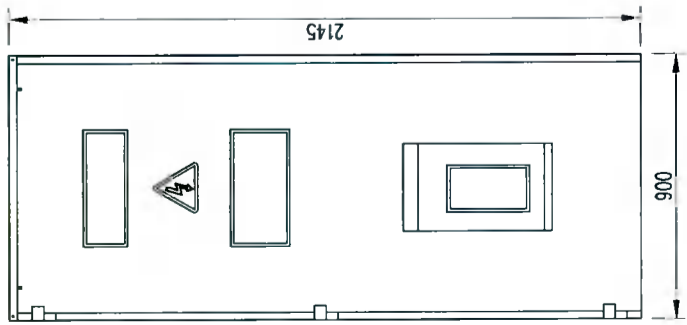
PLANNING

EIR Mobile Site No. DN-3552-01
S.P. Ref: N/A
Site Name: BRENDAN REILLYS FARM
RATHCOOLE
Co. DUBLIN

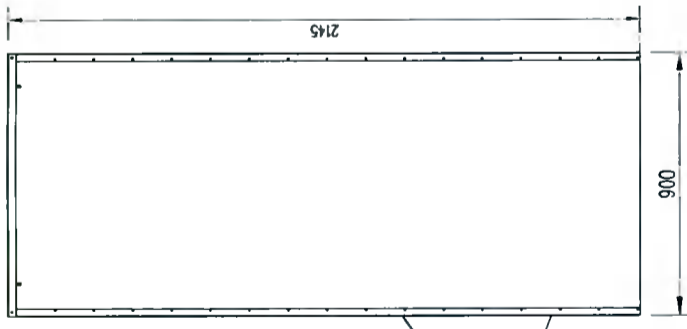
Title		MOBILE TELECOMMUNICATIONS INSTALLATION NORTH-WEST ELEVATION VIEW D-D	
Designed MK	Date 06.06.10	Scale AS SHOWN	Rev. C
Drawn MK			
Dwg No. DN-3552-01-P08			

HUAWEI CABINET DETAILS X2

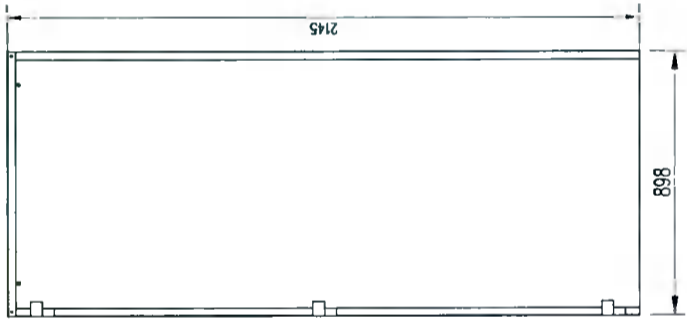
(SCALE 1:25)



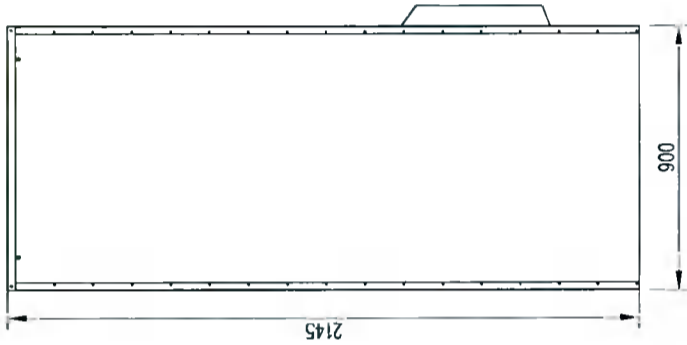
FRONT



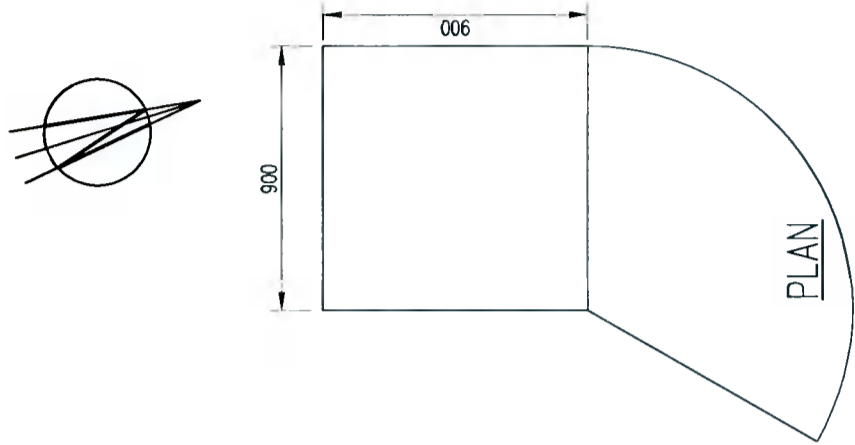
RHS



REAR



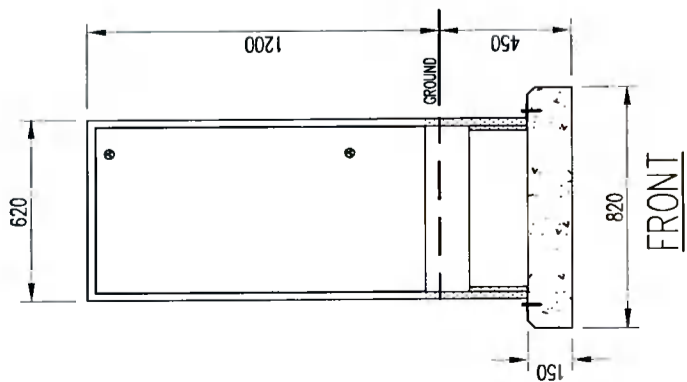
LHS



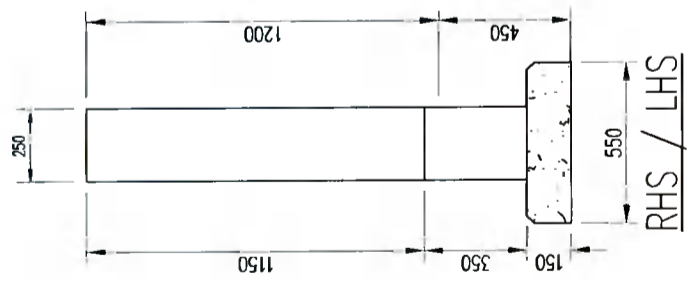
PLAN

RFE CABINET

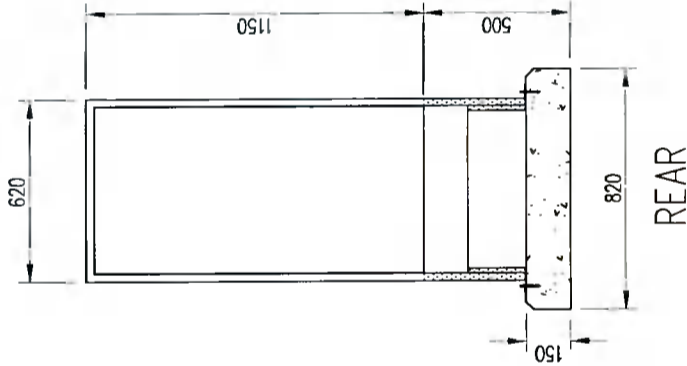
(SCALE 1:25)



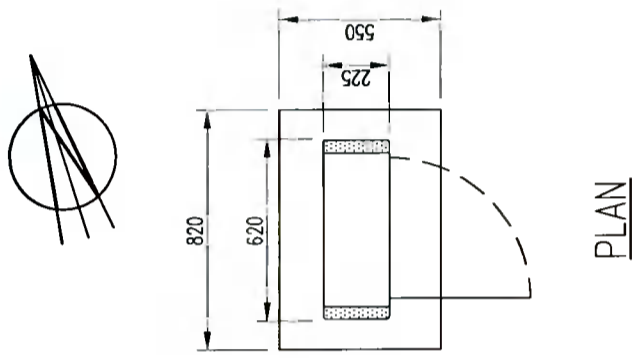
FRONT



RHS / LHS



REAR



PLAN

EQUIPMENT DETAILS

SCALE 1:25

No.	Revision	Date	By	Chd
C	PLANNING RETENTION ISSUE	22.08.20	MS	SRB
B	DIMENSIONS ADDED TO EQUIPMENT LAYOUT PLAN	17.06.10	RPW	J
A	SITE LAYOUT SCALE REVISED, DISH 1 & 2 ADDED	08.06.10	MK	J



EIR Mobile
1 Heuston South Quarter
St. Johns Road
Dublin 8



PLANNING

EIR Mobile Site No. DN-3552-01
S.P. Ref: N/A

Site Name
BRENDAN REILLYS FARM
RATHCOOLE
Co. DUBLIN

Title
MOBILE TELECOMMUNICATIONS
INSTALLATION
EQUIPMENT DETAILS

Designed MK	Date 08.06.10	Scale AS SHOWN	Rev. C
Drawn MK			
Dwg No. DN-3552-01-P09			

STEELWAY FENCESECURE
GENERAL PURPOSE KORAPAL
PALISADE FENCING OF SIMILAR
APPROVED

PALISADE GATE WITH
SLIPATCH TO TAKE PADLOCK

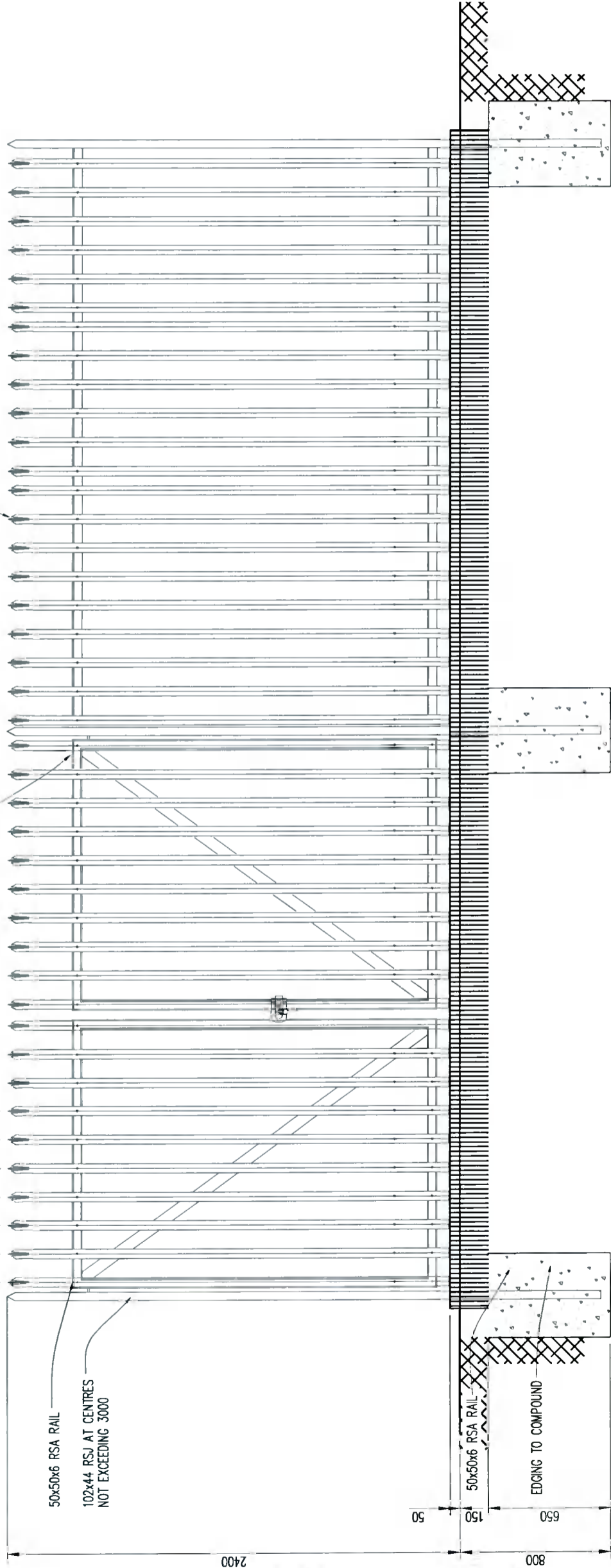
152 152 152 152 152 152

50x50x6 RSA RAIL
102x44 RSJ AT CENTRES
NOT EXCEEDING 3000

50x50x6 RSA RAIL
EDGING TO COMPOUND

450x450x650 DEEP CONCRETE
FOUNDATION GRADE C20

FENCE DETAILS
SCALE 1:25



No.	Revision	Date	By	Chkd
C	PLANNING RETENTION ISSUE	22.08.20	MS	SQB
B	DIMENSIONS ADDED TO EQUIPMENT LAYOUT PLAN	17.06.10	RFW	J
A	SITE LAYOUT SCALE REVISED, DISH 1 & 2 ADDED	09.06.10	MK	J

focus+
limited

EIR Mobile
1 Heuston South Quarter
St. Johns Road
Dublin 8



PLANNING

EIR Mobile Site No. DN-3552-01

S.P. Ref: N/A

Site Name
BRENDAN REILLYS FARM
RATHCOOLE
Co. DUBLIN

Title
MOBILE TELECOMMUNICATIONS
INSTALLATION
FENCE DETAILS

Designed	MK	Date	Scale	AS SHOWN	Rev.	C
		08.08.10				

Dwg No. DN-3552-01-P10