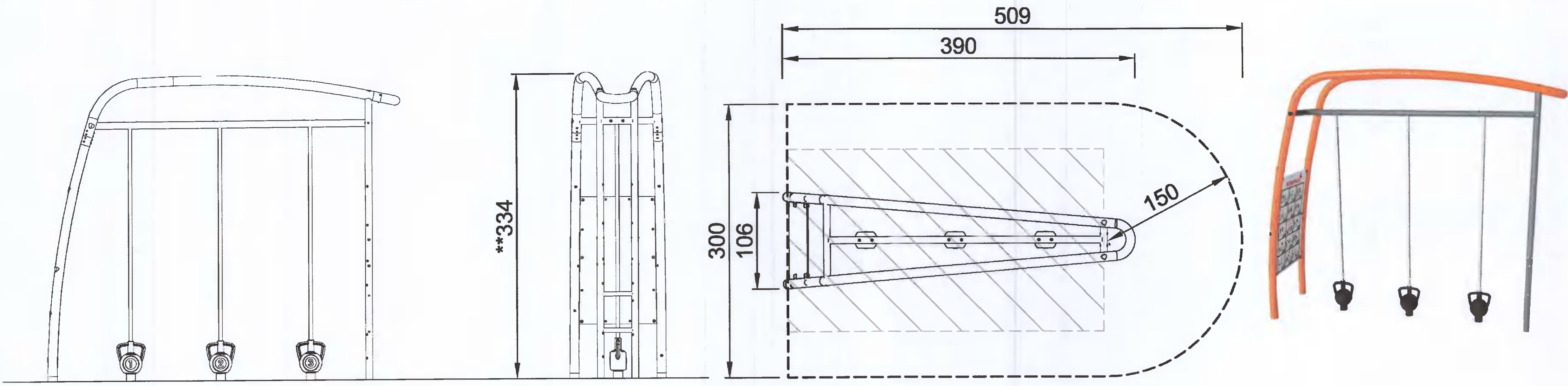


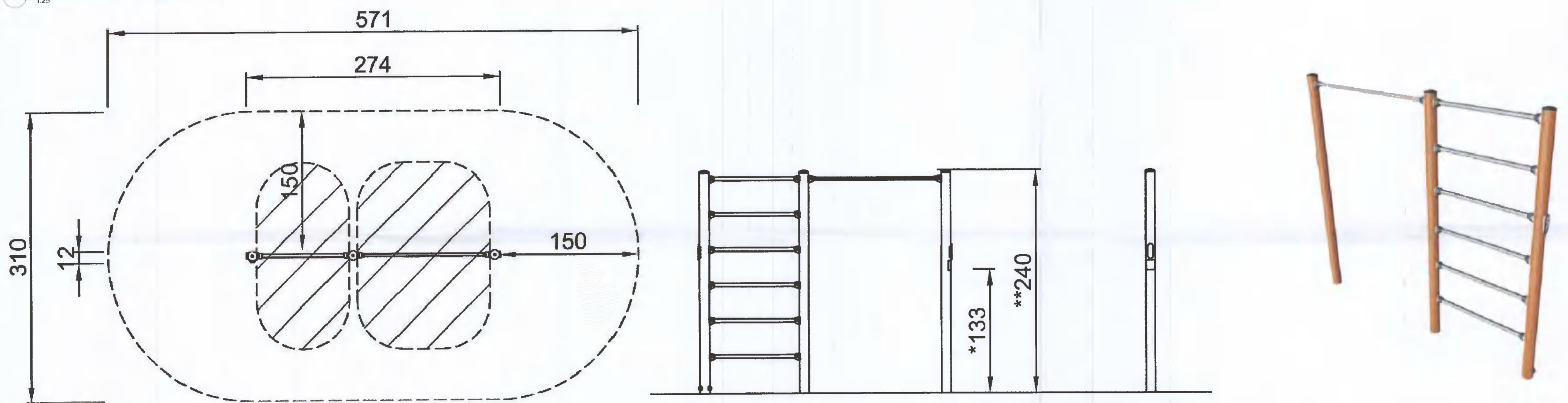
NOTE
 ALL DIMENSIONS TO BE CHECKED ON SITE
 NO DIMENSIONS TO BE SCALED FROM THIS DRAWING
 THIS DRAWING IS TO BE READ IN CONJUNCTION WITH
 RELEVANT CONSULTANTS DRAWINGS
 NO PART OF THIS DOCUMENT MAY BE REPRODUCED OR
 TRANSMITTED IN ANY FORM OR STORED IN ANY RETRIEVAL
 SYSTEM OF ANY NATURE, WITHOUT THE WRITTEN PERMISSION
 OF THE LANDSCAPE ARCHITECT AS COPYRIGHT HOLDER EXCEPT
 AS AGREED FOR USE ON THE PROJECT FOR WHICH THE
 DOCUMENT WAS ORIGINALLY ISSUED.
 FOR DRAWING INDEX, GENERAL NOTES, REFER TO
 DWG L1-001

CLIENT:
ADAMSTOWN STATION AND BOULEVARD LTD.

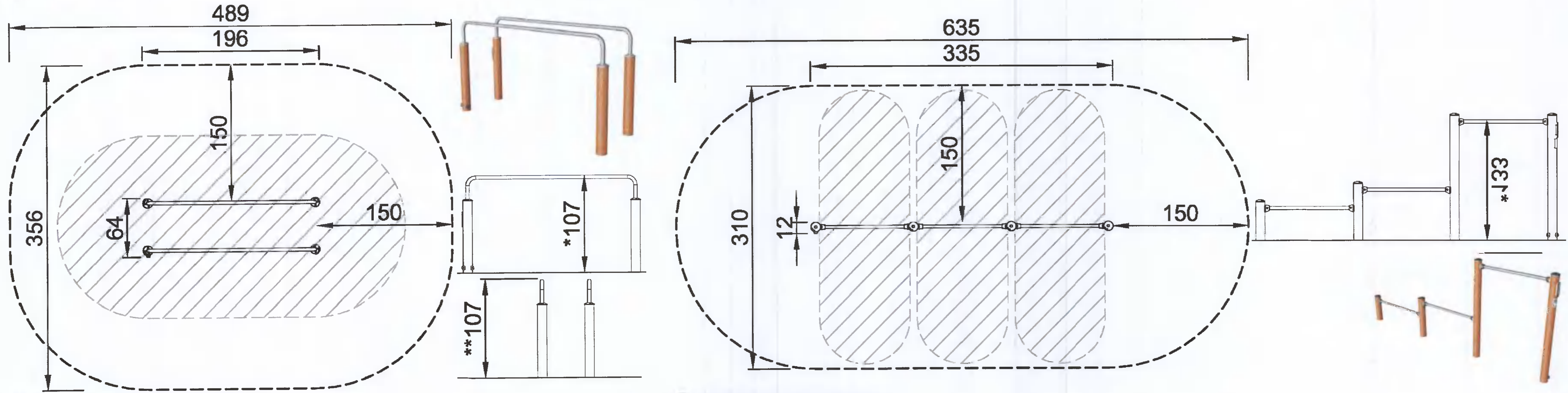
ARCHITECTS:
MDO ARCHITECTS



01 MAGNETIC BELLS REFERENCE IMAGE
 1:25



02 PULL UP BARS REFERENCE IMAGE
 1:25



03 PARALLEL BARS REFERENCE IMAGE
 1:25

04 PUSH UP BARS REFERENCE IMAGE
 1:25

REVISIONS

Job No.	23A2A	Drawn By	LB
Dwg No.	L1-906	Checked By	JM
Scale	AS SHOWN@A1	Date	APRIL 2022

JOB DESCRIPTION

Site	ADAMSTOWN BOULEVARD
Project	ADAMSTOWN BOULEVARD PHASE 1
Title	OUTDOOR EXERCISE EQUIPMENT