

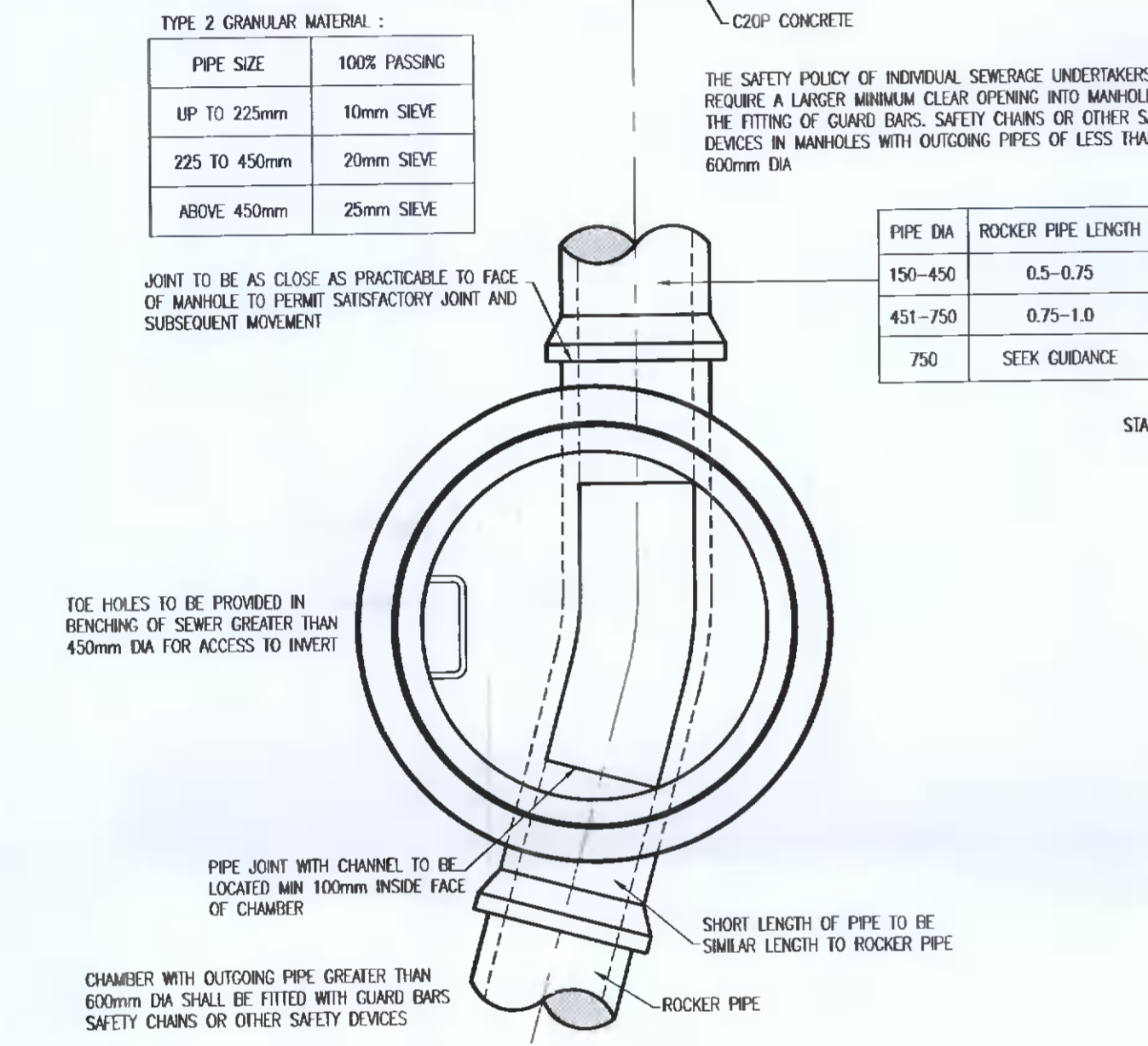
DIAMETER OF LARGEST PIPE IN MANHOLE (mm)	CHAMBER SECTION DIAMETER (mm)
LESS THAN 375	1200 (1050 WHERE DEPTH TO SOFFIT IS 1.35m - 1.5m)
375 - 450	1350
500 - 700	1500
750 - 900	1800

TABLE 1

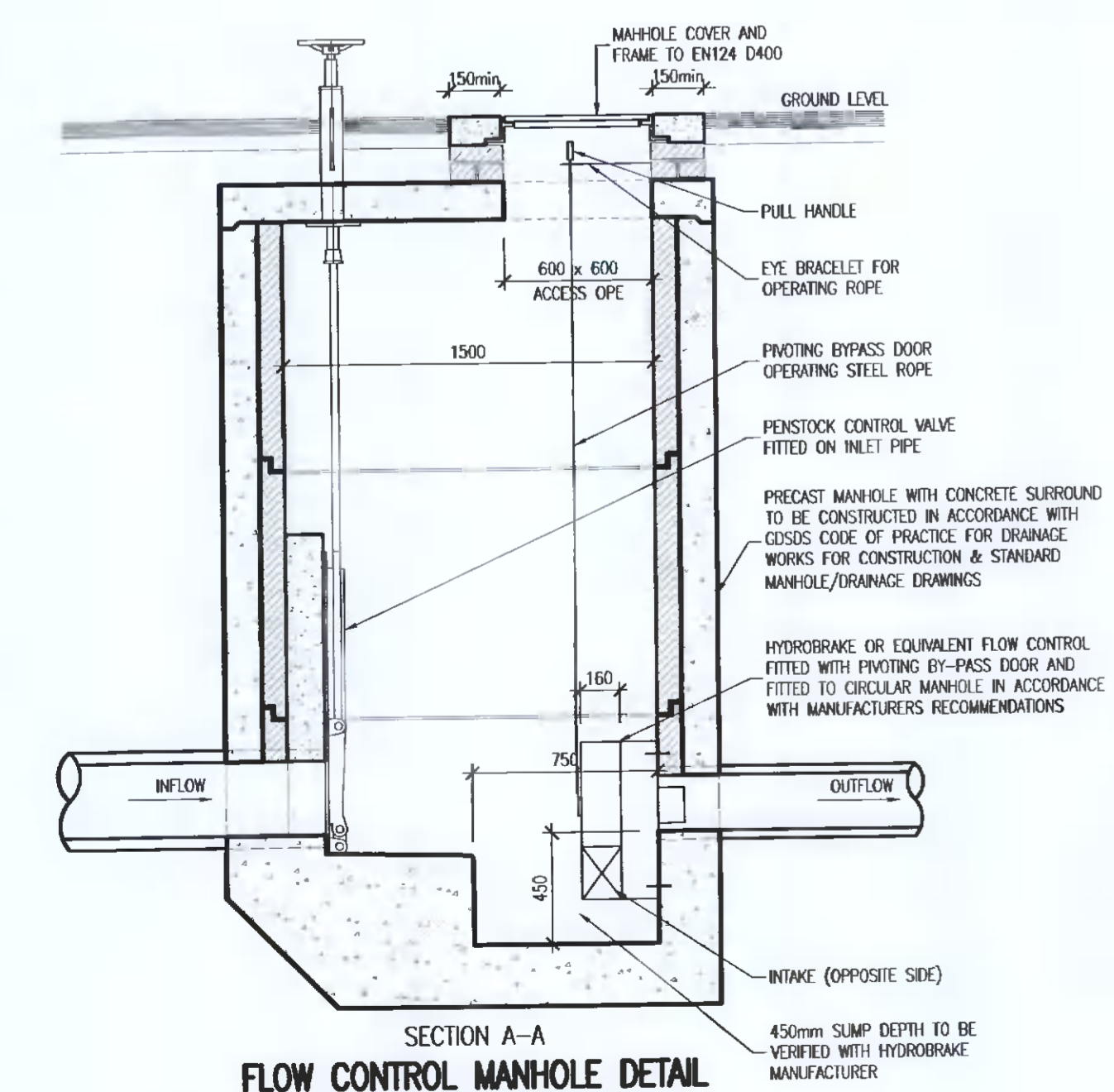
THE SAFETY POLICY OF INDIVIDUAL SEWERAGE UNDERTAKERS MAY REQUIRE A LARGER MINIMUM CLEAR OPENING INTO MANHOLES AND THE FITTING OF GUARD BARS, SAFETY CHAINS OR OTHER SAFETY DEVICES IN MANHOLES WITH OUTGOING PIPES OF LESS THAN 600mm DIA

PIPE DIA	ROCKER PIPE LENGTH
150-450	0.5-0.75
451-750	0.75-1.0
750	SEEK GUIDANCE

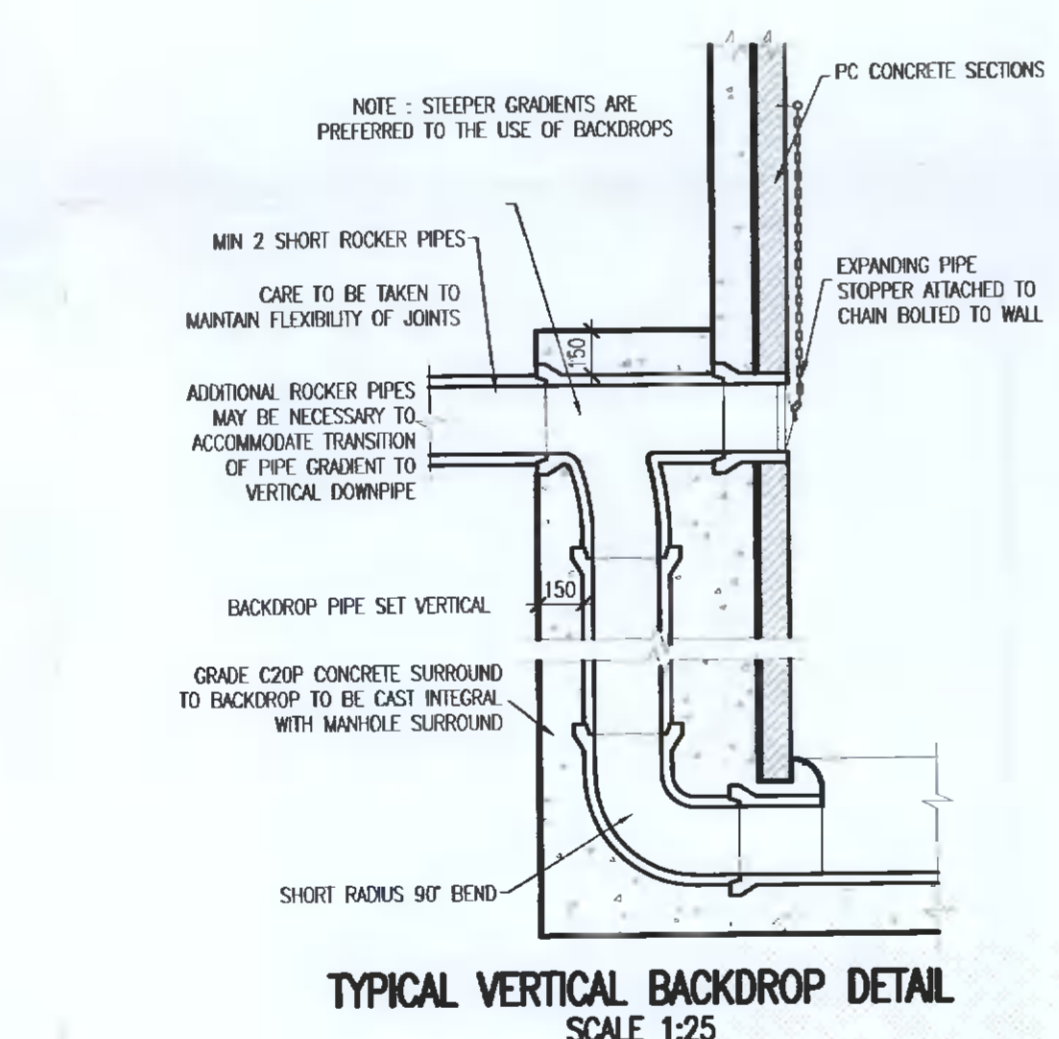
STANDARD TUMBLING BAY JUNCTION



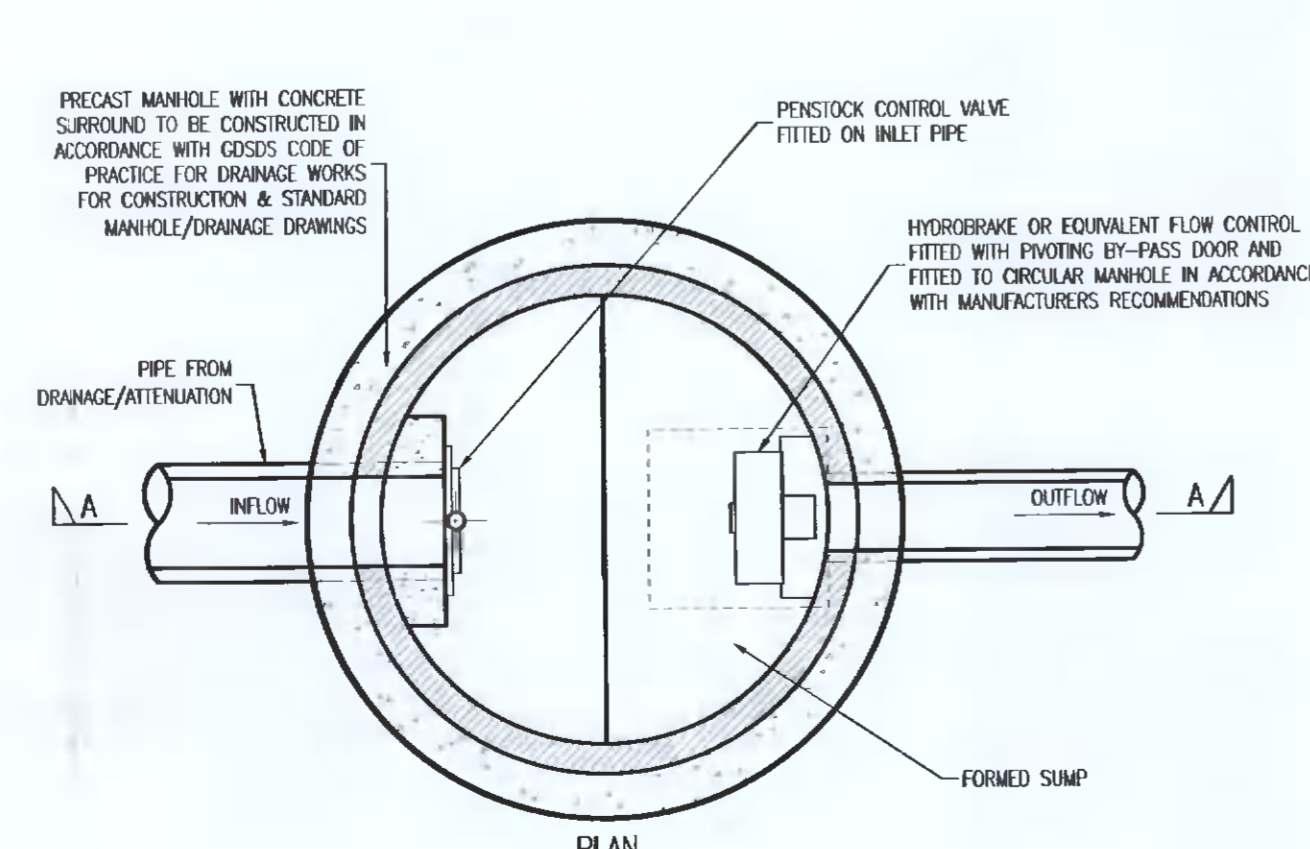
TYPICAL MANHOLE DETAIL - TYPE B
DEPTH TO SOFFIT 1.35 TO 3m
SCALE 1:25



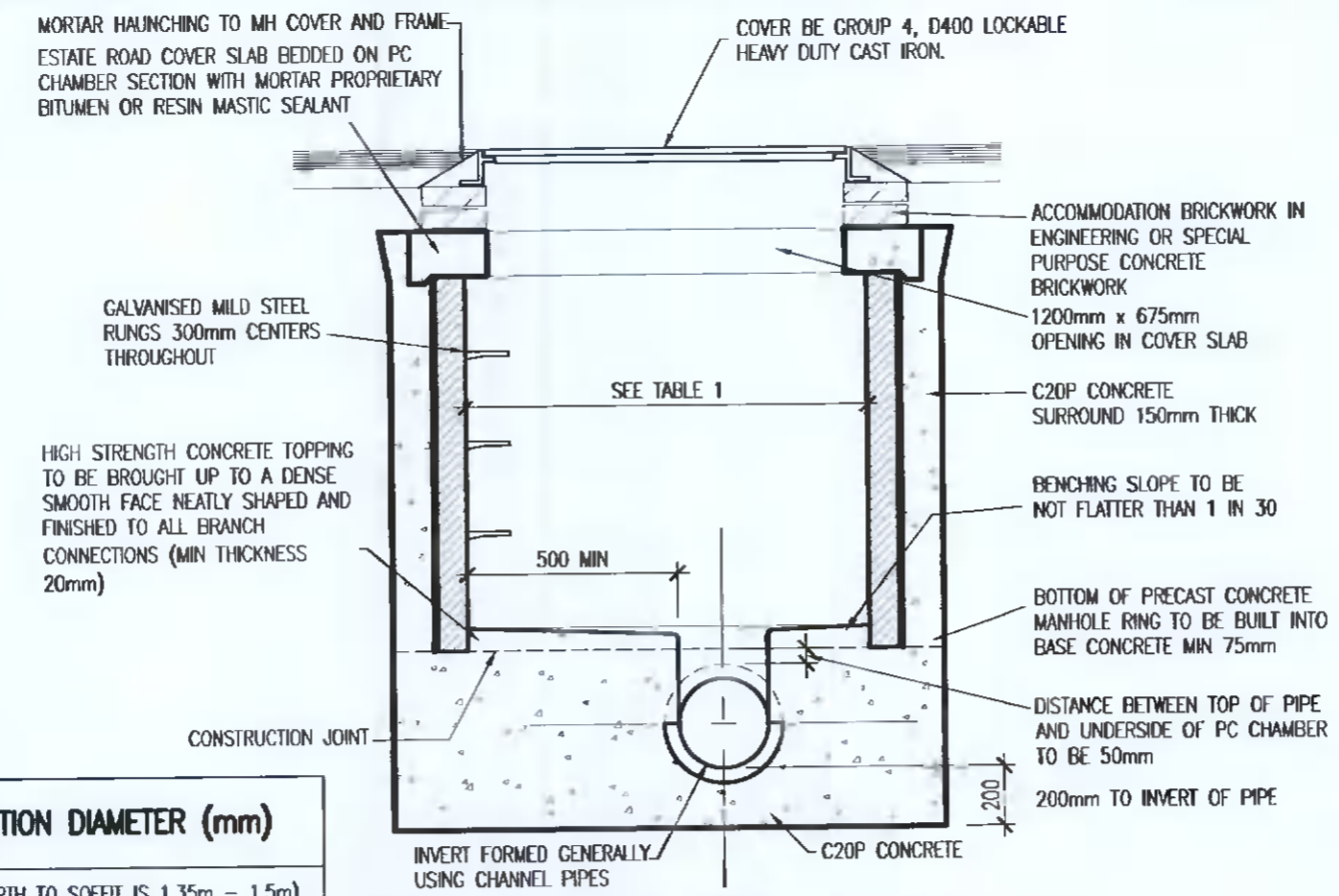
SECTION A-A
FLOW CONTROL MANHOLE DETAIL
SCALE 1:25



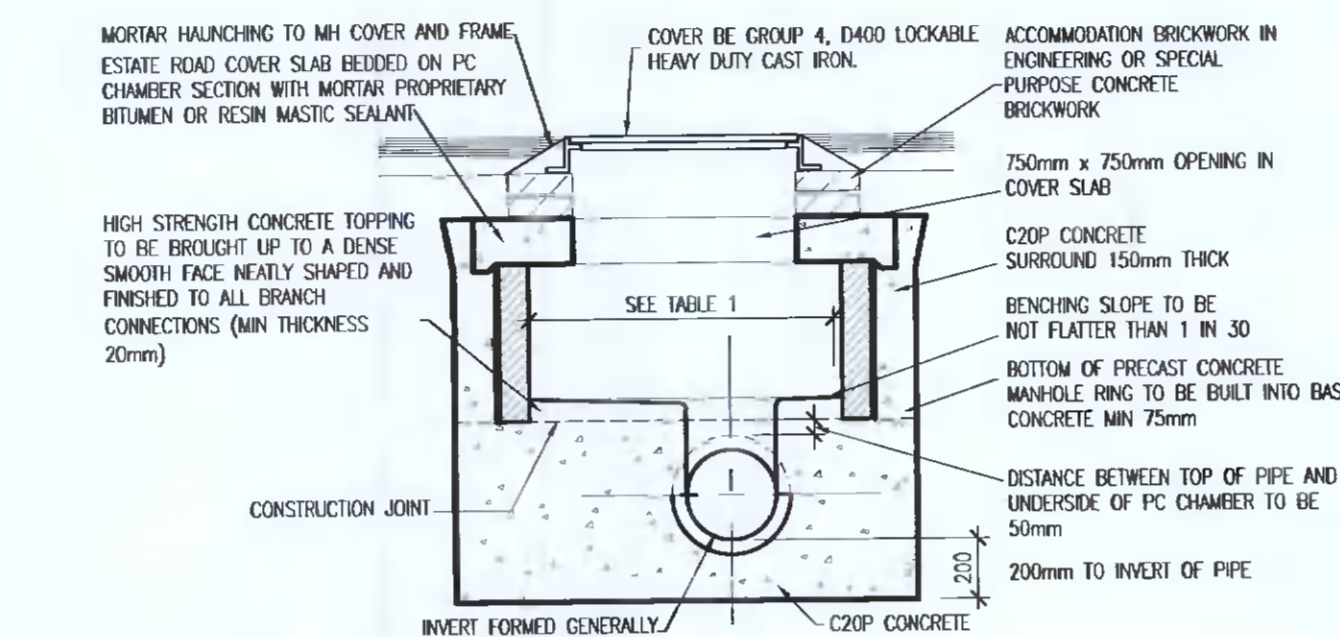
TYPICAL VERTICAL BACKDROP DETAIL
SCALE 1:25



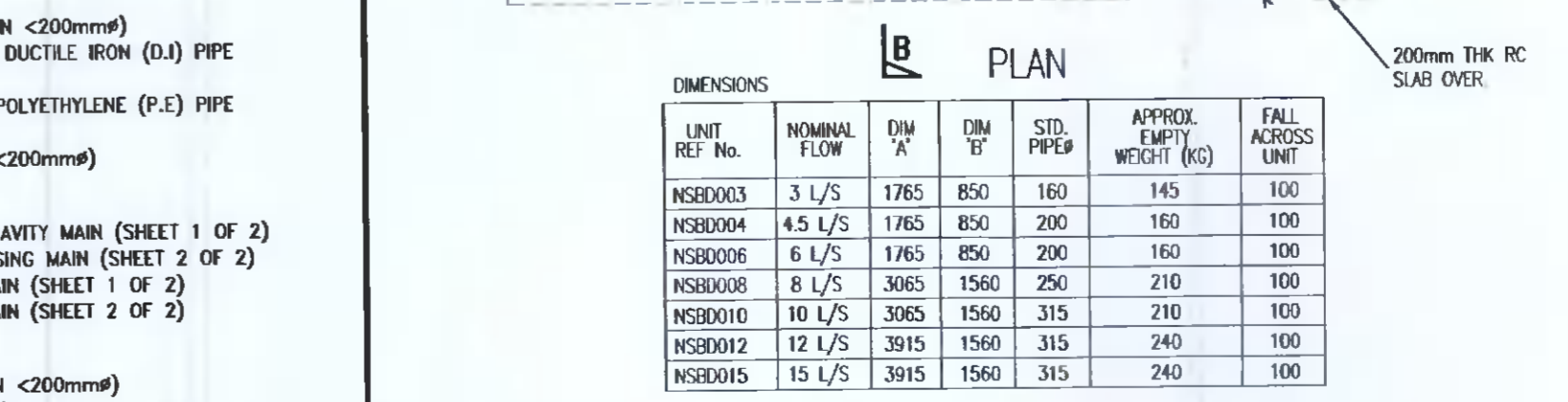
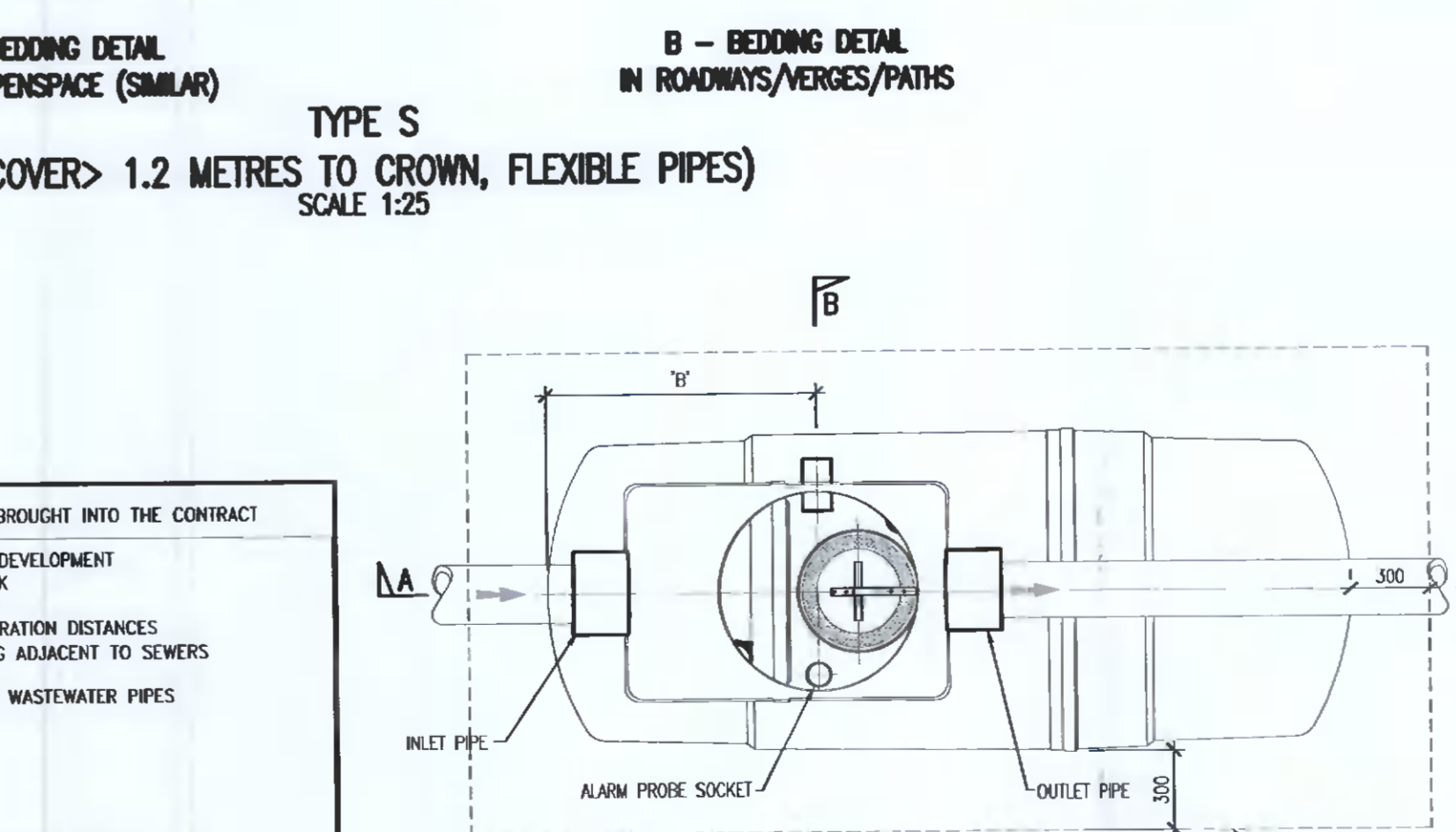
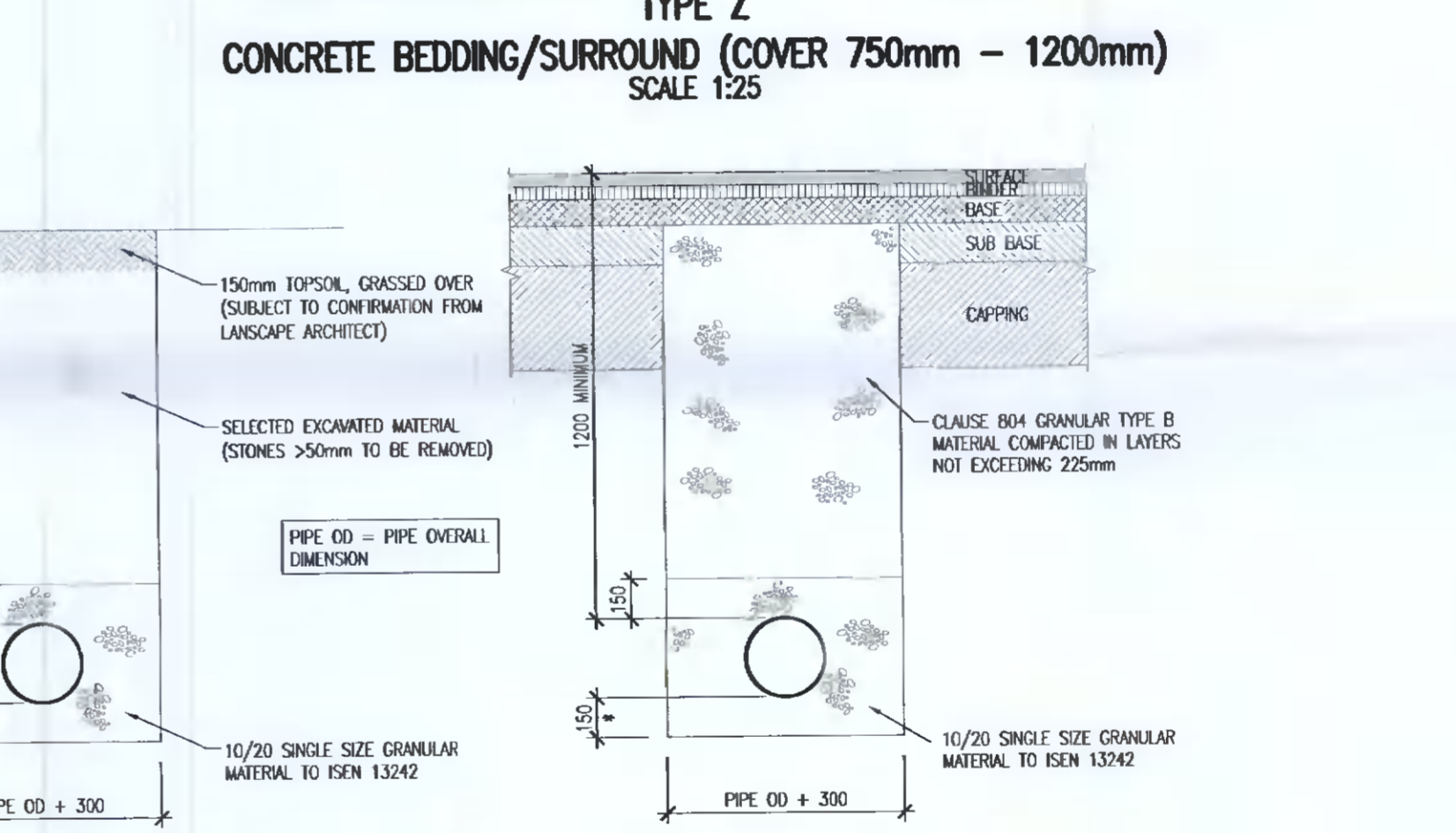
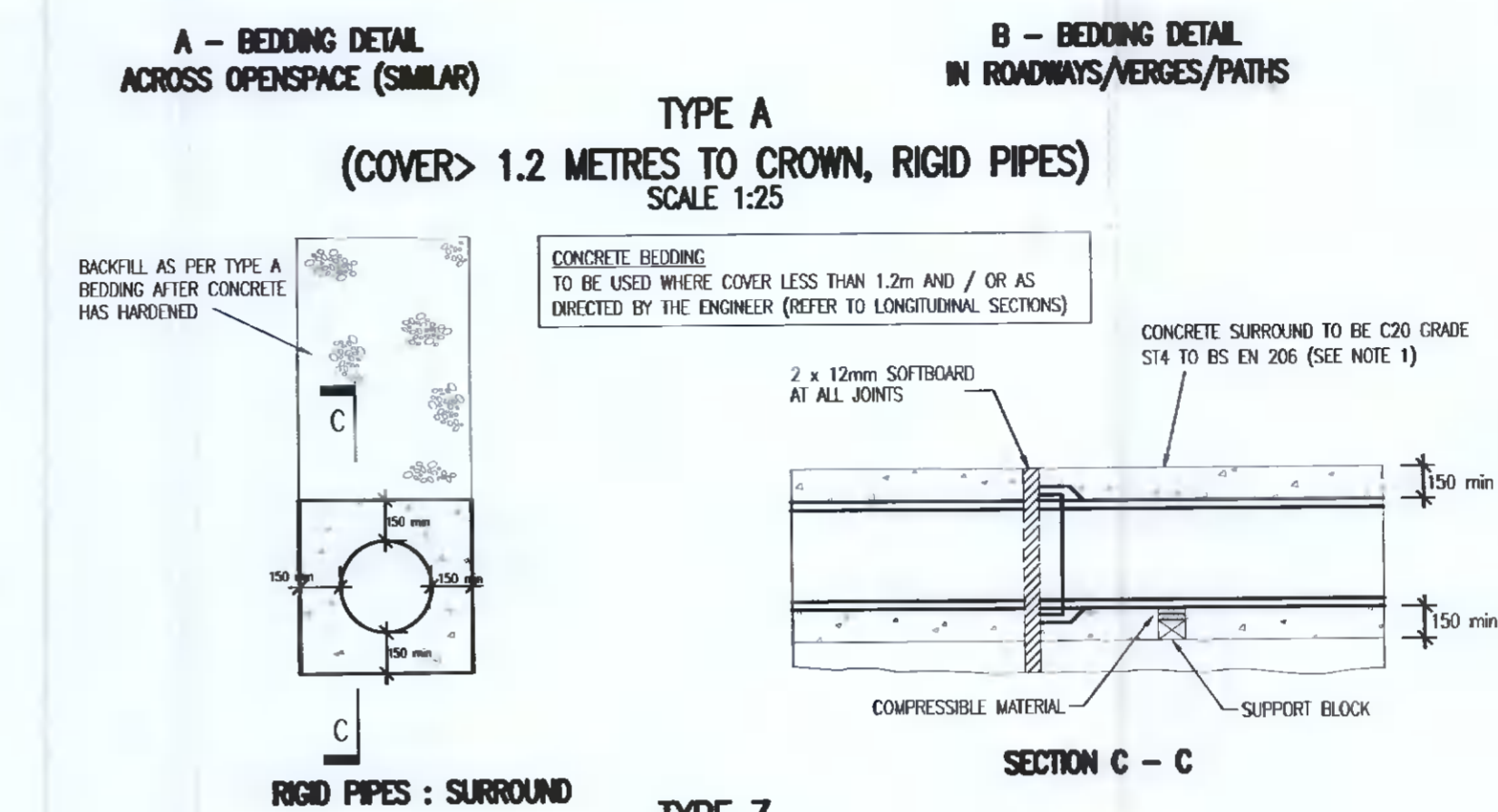
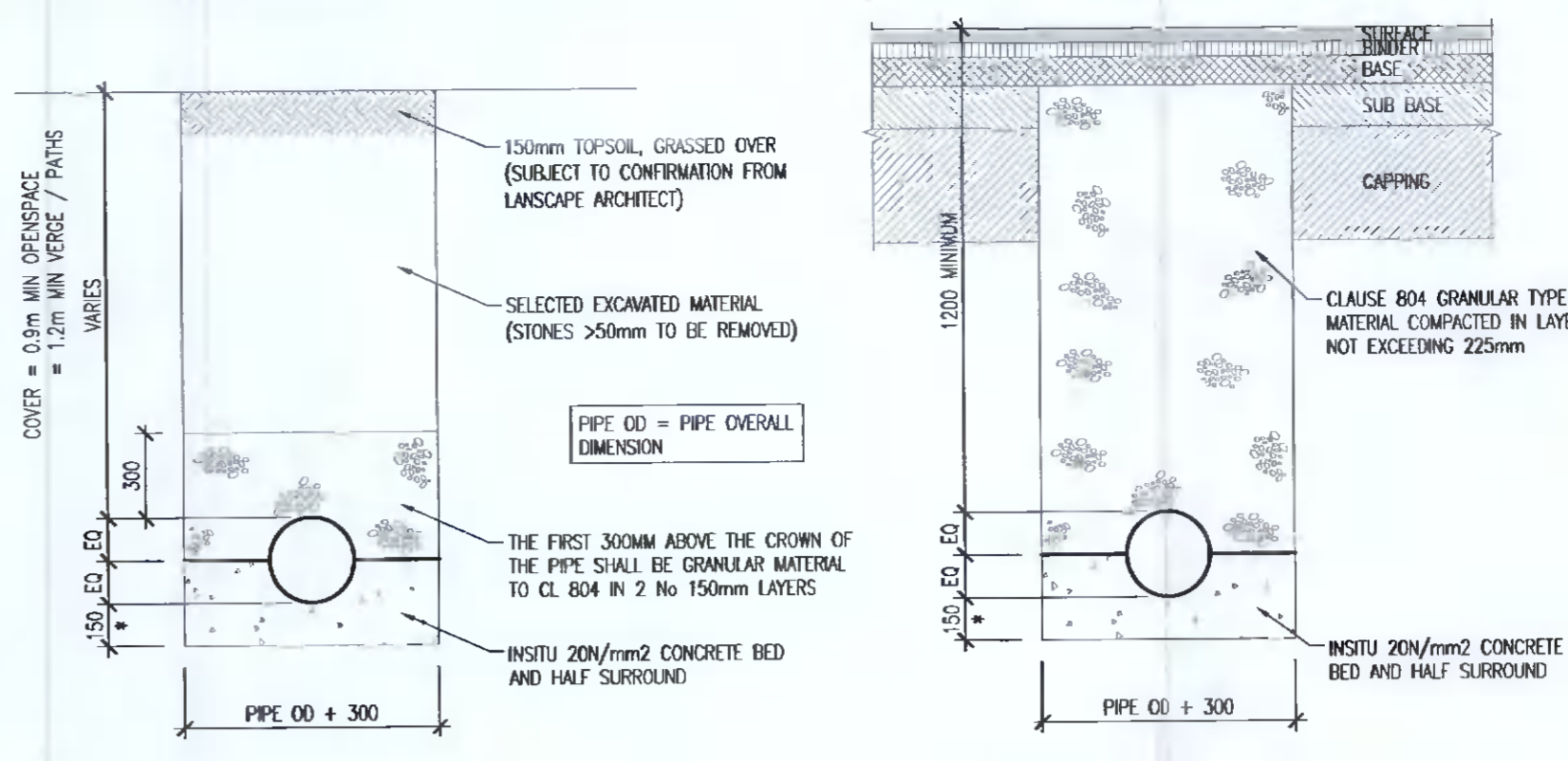
PLAN



TYPICAL MANHOLE DETAIL - TYPE E
DEPTH TO SOFFIT 1.0 TO 1.35m
SCALE 1:25



TYPICAL MANHOLE DETAIL - TYPE F
DEPTH TO SOFFIT LESS THAN 1.0m
SCALE 1:25



UNIT REF. No.	NOMINAL FLOW	DN 'A'	DN 'B'	STD. PIPE	APPROX. EMPTY WEIGHT (KG)	FALL ACROSS UNIT
NSR0003	3 L/S	1785	850	160	145	100
NSR0004	4.5 L/S	1785	850	200	160	100
NSR0006	6 L/S	1785	850	200	160	100
NSR0008	8 L/S	3065	1560	250	210	100
NSR0010	10 L/S	3065	1560	315	210	100
NSR0012	12 L/S	3915	1560	315	240	100
NSR0015	15 L/S	3915	1560	315	240	100

PETROL INTERCEPTOR
SCALE 1:25

- LIST OF IRISH WATER WASTEWATER STANDARD DETAILS BROUGHT INTO THE CONTRACT**
- STD-WW-02 TYPICAL LAYOUT FOR SEWER WITHIN NEW DEVELOPMENT
 - STD-WW-03 DRAIN AND SERVICE CONNECTION PIPEWORK
 - STD-WW-04 TYPICAL SERVICE/SEWER PIPE CONNECTION
 - STD-WW-05 TYPICAL SERVICE LAYOUT INDICATING SEPARATION DISTANCES
 - STD-WW-06 RESTRICTIONS ON TREES/SHRUBS PLANTING ADJACENT TO SEWERS
 - STD-WW-07 TRENCH BACKFILL & BEDDING
 - STD-WW-08 CONCRETE BED, HAUNCH & SURROUND TO WASTEWATER PIPES
 - STD-WW-09 BLOCKWORK MANHOLE (<450mm#)
 - STD-WW-10 PRE-CAST CONCRETE MANHOLE
 - STD-WW-11 IN-SITU CONCRETE MANHOLE
 - STD-WW-12 BACKDROP MANHOLES
 - STD-WW-13 PRIVATE SIDE INSPECTION CHAMBER
 - STD-WW-14 THRUST BLOCKS FOR RISING MAINS
 - STD-WW-15 SCOUR VALVE CHAMBER (FOUL RISING MAIN <200mm#)
 - STD-WW-16 SLUICE VALVE DETAILS FOR RISING MAINS DUCTILE IRON (D.I.) PIPE (<200mm#)(SHEET 1 OF 2)
 - STD-WW-17 SLUICE VALVE DETAILS FOR RISING MAIN POLYETHYLENE (P.E.) PIPE (<200mm#)(SHEET 2 OF 2)
 - STD-WW-18 AIR VALVE CHAMBER (FOUL RISING MAIN <200mm#)
 - STD-WW-19 DUCT CHAMBER
 - STD-WW-20 EMERGENCY OVERFLOW STRUCTURE
 - STD-WW-21 TYPICAL DITCH/STREAM CROSSING FOR GRAVITY MAIN (SHEET 1 OF 2)
 - STD-WW-22 TYPICAL DITCH/STREAM CROSSING FOR RISING MAIN (SHEET 2 OF 2)
 - STD-WW-23 TYPICAL BRIDGE CROSSING FOR RISING MAIN (SHEET 1 OF 2)
 - STD-WW-24 TYPICAL BRIDGE CROSSING FOR RISING MAIN (SHEET 2 OF 2)
 - STD-WW-25 SECURITY GATE & FENCING
 - STD-WW-26 INDICATIVE PUMPING STATION LAYOUT
 - STD-WW-27 FLOW METER CHAMBER (FOUL RISING MAIN <200mm#)
 - STD-WW-28 INDICATIVE SUBMERSIBLE PUMPING STATION
 - STD-WW-28A INDICATIVE PRE-CAST CONCRETE SUBMERSIBLE PUMPING STATION
 - STD-WW-29 RISING MAIN DISCHARGE MANHOLE
 - STD-WW-30 KIOSK TYPE 1 PUMPING STATION & WET KIOSK (SHEET 1 OF 2)
 - STD-WW-31 KIOSK TYPE 2 + 3 PUMPING STATION & WET KIOSK (SHEET 2 OF 2)
 - STD-WW-32 HARDESTANDING AREA PUMPING STATION (PERMEABLE & IMPERMEABLE)
 - STD-WW-33 LAMP BOLLARD & LAMP STANDARD
 - STD-WW-34 VENT STACK

- NOTES**
- ALL WORKS TO COMPLY WITH THE CURRENT BUILDING REGULATIONS, WATER BYELAWS AND LOCAL AUTHORITY REQUIREMENTS.
 - ALL SEWERS SHALL BE PRESSURE TESTED PRIOR TO BACKFILLING.
 - TYPE 1 GRANULAR MATERIAL: BROKEN STONE OR GRAVEL TO PASS 10mm - 25mm SIEVE, ACCORDING TO PIPE SIZE, (SEE TABLE) AND BE RETAINED ON 5mm SIEVE.
 - TYPE 2 GRANULAR MATERIAL: BROKEN STONE OR GRAVEL TO PASS 10mm - 25mm SIEVE, ACCORDING TO PIPE SIZE, (SEE TABLE) AND BE RETAINED ON 5mm SIEVE.
 - TYPE 3 SELECTED FILL: UNIFORM READILY COMPACTED MATERIAL FREE FROM TREE ROOTS, VEGETABLE MATTER, BUILDING DEBRIS, AND FROZEN SOIL AND EXCLUDING CLAY LUMPS RETAINED ON A 75mm SIEVE AND STONES RETAINED ON A 37.5mm SIEVE.
 - RIGID PIPES SHALL MEAN CAST OR SPUN IRON, CONCRETE OR CLAY.

Rev	Date	Description	SM	SJ
P1	28/04/22	CFI RESPONSE	SM	SJ
P	15/10/21	PLANNING SUBMISSION	SM	SJ

PLANNING

gdcl
CONSULTING ENGINEERS

Scope House,
Perrystown,
Dublin D12 K8PP
www.gdclconsulting.com

75 Shelton Street,
Covent Garden,
London WC2H 9JQ

PROJECT
U-Store-It, Liffey Valley

CLIENT
Oceanglade Ltd

DRAWING TITLE
Typical Construction Details
Sheet 2

dm. by:	date:	scale:
PTC	Oct '20	As Shown
drawing size: A1	chk: SJ	app: GD
job no: P2005	drw. no: P2005-C-211	rev: P1

NOT FOR CONSTRUCTION