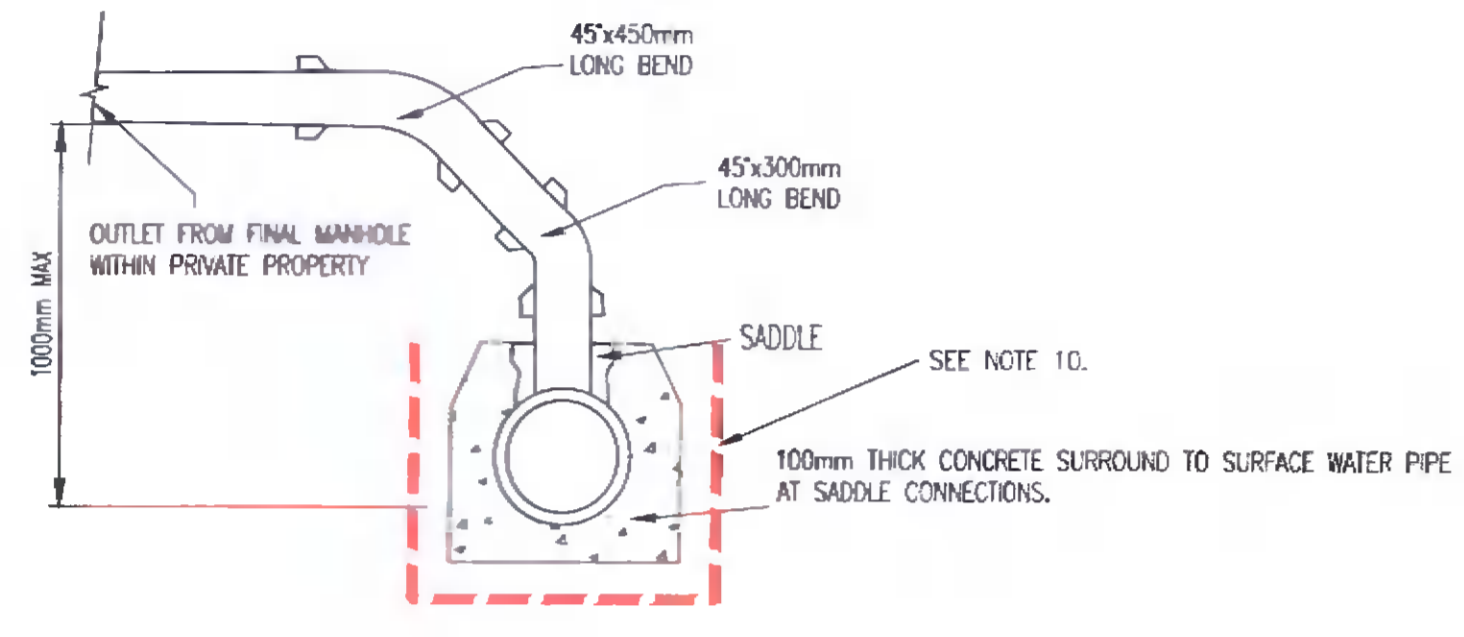
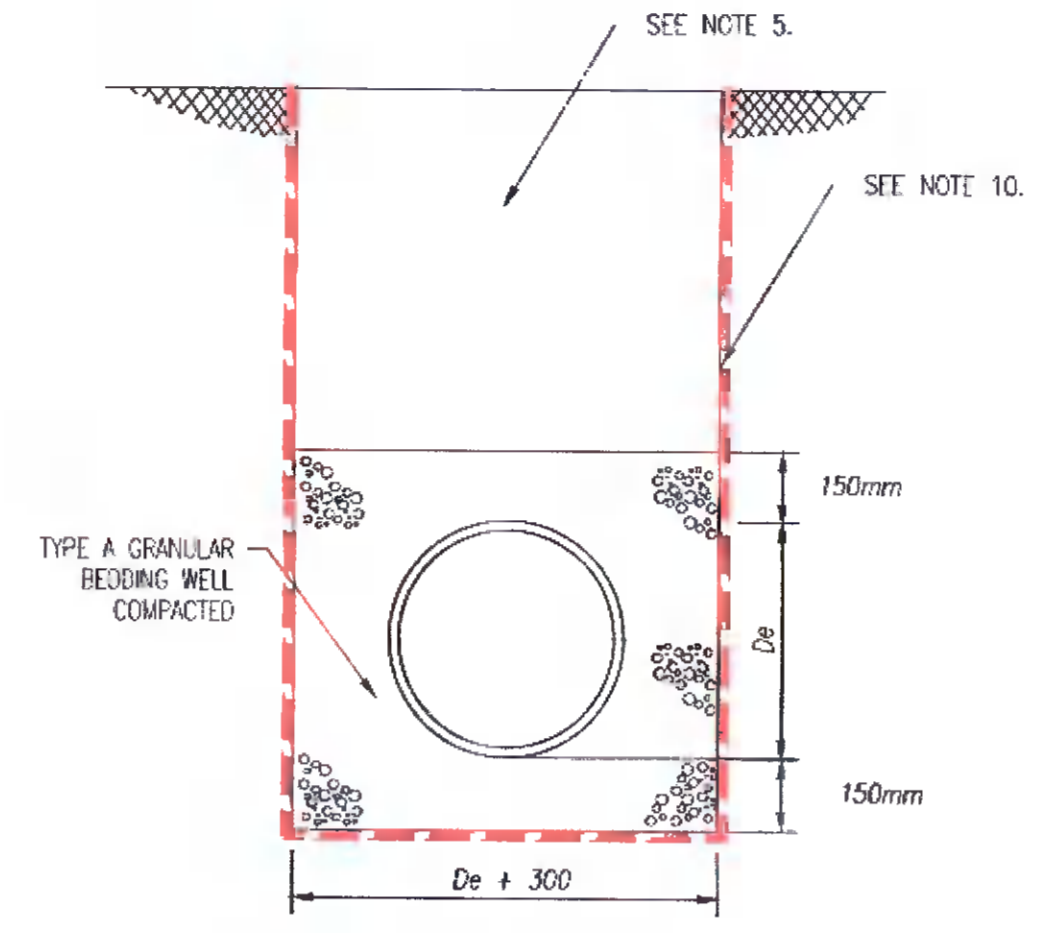


- NOTES:
- DO NOT SCALE. USE FIGURED DIMENSIONS ONLY.
 - THIS DRAWING IS TO BE READ IN CONJUNCTION WITH ALL OTHER RELEVANT ARCHITECTURAL, ENGINEERING DRAWINGS AND THE GREATER DUBLIN REGIONAL CODE OF PRACTICE V6.0.
 - TYPE A GRANULAR FILL SHALL CONSIST OF WASHED PEA GRAVEL. ALL MATERIAL SHALL PASS A 19mm B.S. SIEVE TEST AND SHALL BE RETAINED BY A 4.75mm B.S. SIEVE TEST.
 - SELECTED FILL SHALL BE FREE FROM STONES GREATER THAN 25mm IN SIZE, BURGERS, RUBBLE, VEGETABLE MATTER AND LUMPS OF CLAY GREATER THAN 15mm IN SIZE AND SHALL BE COMPACTED IN 150mm LAYERS.
 - IN OPEN SPACES BACKFILL SHALL CONSIST OF SUITABLE SELECTED ENHANCED MATERIAL. UNDER PAVED AREAS BACKFILL SHALL CONSIST OF CLAUSE B08. GENERAL BACKFILL SHALL BE COMPACTED IN LAYERS NOT EXCEEDING 150mm THICK.
 - CONCRETE BED AND SURROUND SHALL BE USED ON ALL PIPES WHERE COVER TO THE SOFFIT OF THE PIPE IS LESS THAN 1.2m IN ROADS, FOOTPATHS AND GRASS MARGINS AND 0.9m IN OPEN SPACES AND FIELDS.
 - ALL CONCRETE FOR PIPE BEDDING, HAUNCHING AND SURROUNDS SHALL BE GRADE C1 20N/20mm.
 - ALL DRAINAGE WORKS SHALL BE CONSTRUCTED STRICTLY IN ACCORDANCE WITH SOUTH DUBLIN COUNTY COUNCIL REQUIREMENTS FOR TAKING IN CHARGE AND GREATER DUBLIN REGIONAL CODE OF PRACTICE FOR DRAINAGE WORKS.
 - PERTAINING TO FOUL WATER DRAINAGE WORKS - IT IS THE CONTRACTOR'S RESPONSIBILITY TO ENSURE THAT ALL WORKS ARE CONSTRUCTED IN ACCORDANCE WITH THE IRISH WATER CODE OF PRACTICE AND STANDARD DETAILS. THE CODE OF PRACTICE AND STANDARD DETAILS ARE AVAILABLE TO DOWNLOAD FROM THE IRISH WATER WEBSITE AT: WWW.WATER.IE/CONNECTIONS/DEVELOPER-SERVICES/ WHERE THE DETAILS CONTAINED ON THIS DRAWING DIFFER FROM THE IRISH WATER CODE OF PRACTICE OR STANDARD DETAILS THIS MUST BE BROUGHT TO THE ATTENTION OF THE ENGINEER IMMEDIATELY. IRISH WATER STANDARDS WILL TAKE PRECEDENCE.

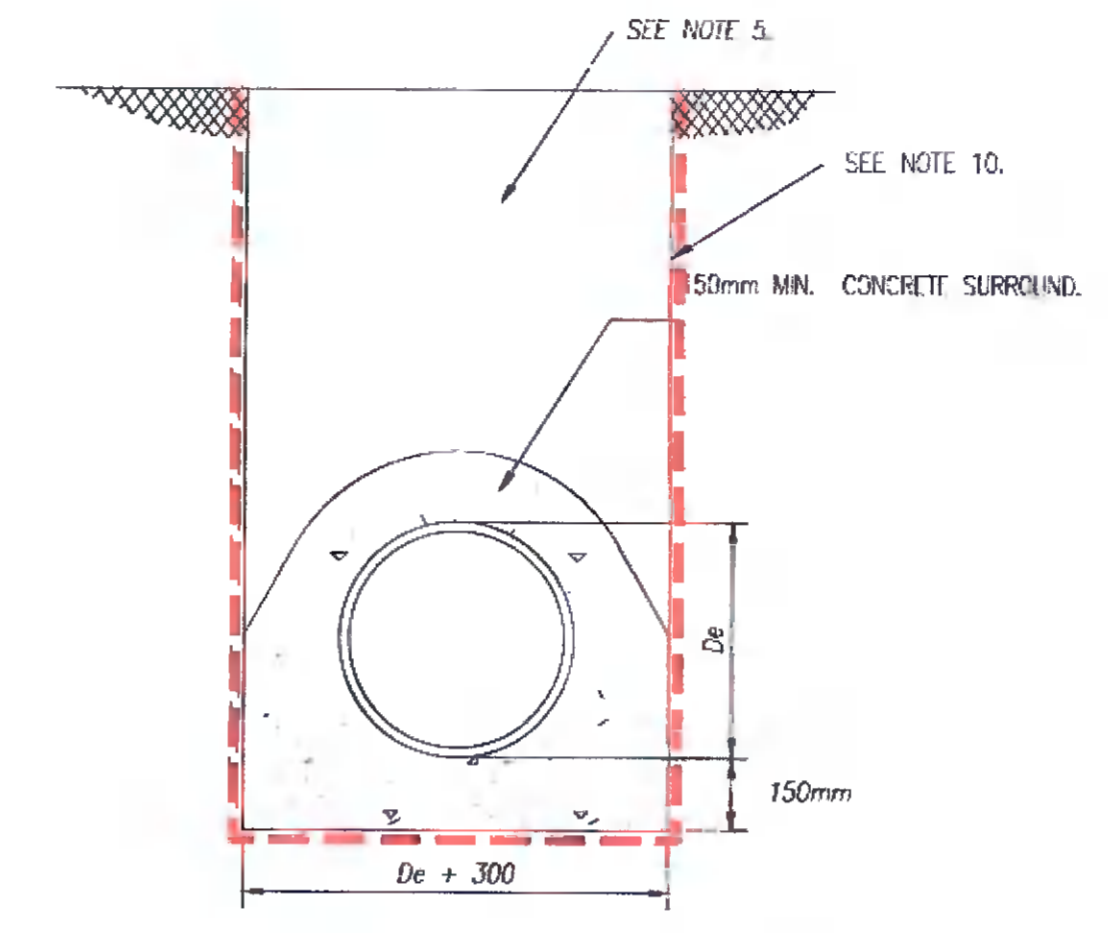
10. ALL TRENCHES IN EXPOSED ROCK TO BE LINED WITH LIQUID BITUMEN SPRAY IMMEDIATELY AFTER EXPOSURE.



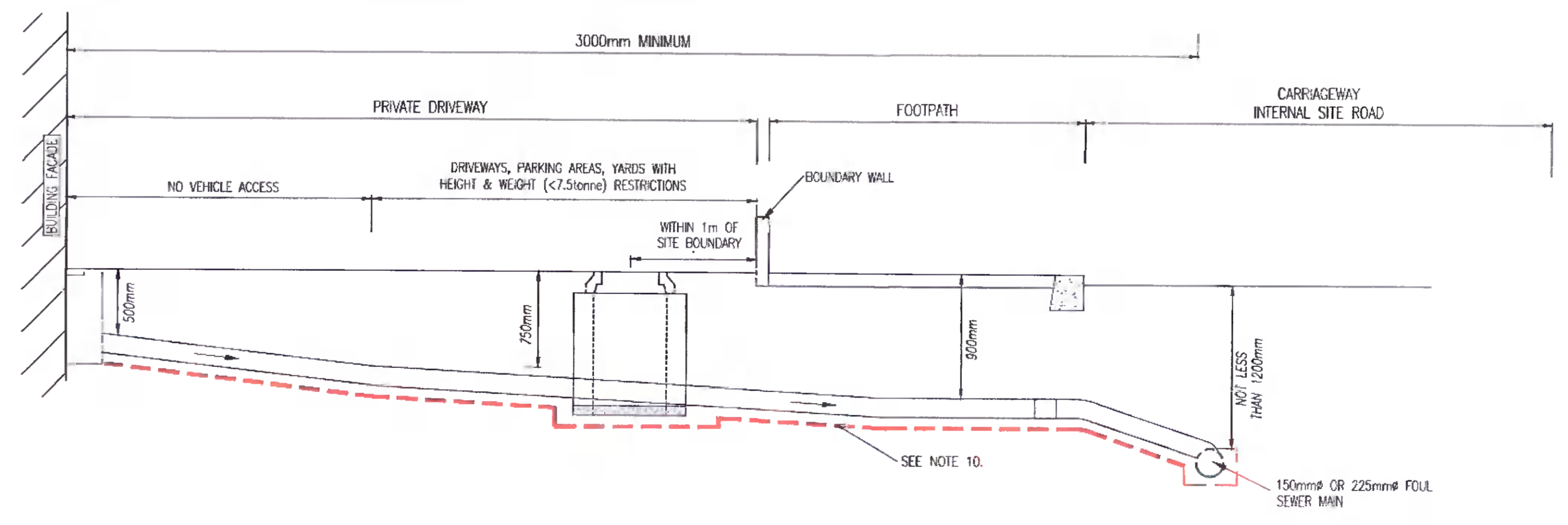
TYPICAL SADDLE CONNECTION DETAIL TO PUBLIC SEWER
Scale 1:20



GRANULAR BED AND SURROUND



CONCRETE BED AND SURROUND
WHEN COVER IS LESS THAN 1.2m UNDER ROADS AND FOOTPATHS



WASTEWATER SERVICE CONNECTION TO PROPOSED 150/225mm MAIN SEWER
Not To Scale



REV.	DATE	AMENDMENT	DRN	APFD
20/	04/	ISSUED FOR PLANNING	MS	EC

STATUS: **FOR PLANNING ONLY
NOT FOR CONSTRUCTION**

Waterman Moylan
Engineering Consultants
BLOCK 5, EASTPOINT BUSINESS PARK, ALFIE BYRNE ROAD,
DUBLIN D03 H0F4 IRELAND
Tel: (01) 864 8900 Fax: (01) 861 3618
Email: info@waterman-moylan.ie www.waterman-moylan.ie

CLIENT: ADAMSTOWN STATION AND BOULEVARD LTD.
ARCHITECT: McCAULEY DAYE O'CONNELL ARCHITECTS LTD.

PROJECT: ADAMSTOWN - BOULEVARD TILE PHASE 1

TITLE: DRAINAGE CONSTRUCTION DETAILS SHEET 2 OF 2

DRAWN	DESIGNED	APPROVED	DATE
MS	EC	EC	APRIL 2022
SCALE	JOB NO.	DRG. NO.	REVISION
AS SHOWN@A1	21-074	P221	-