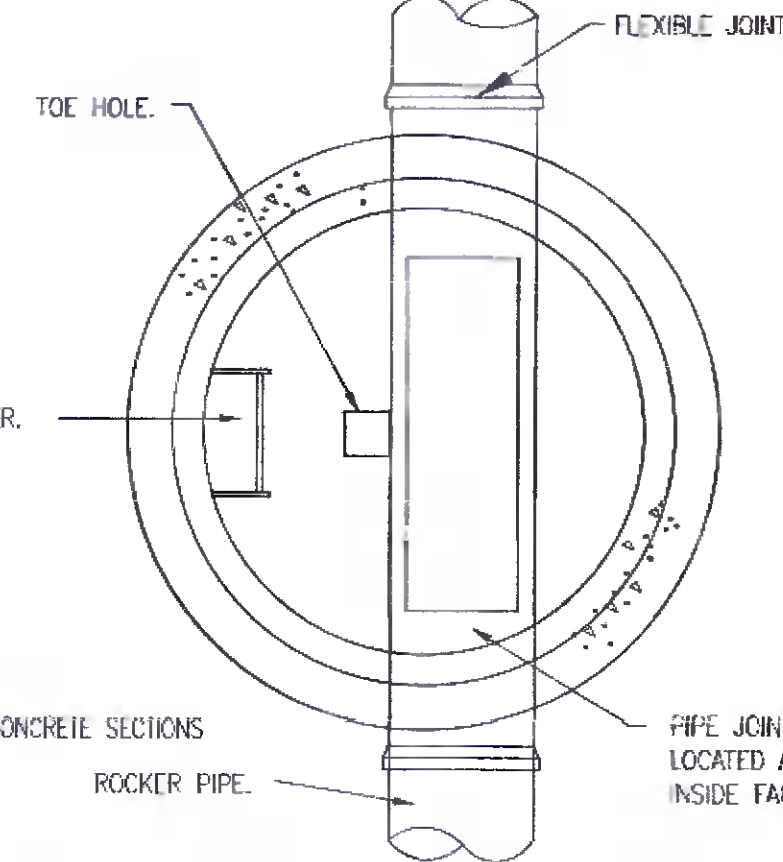
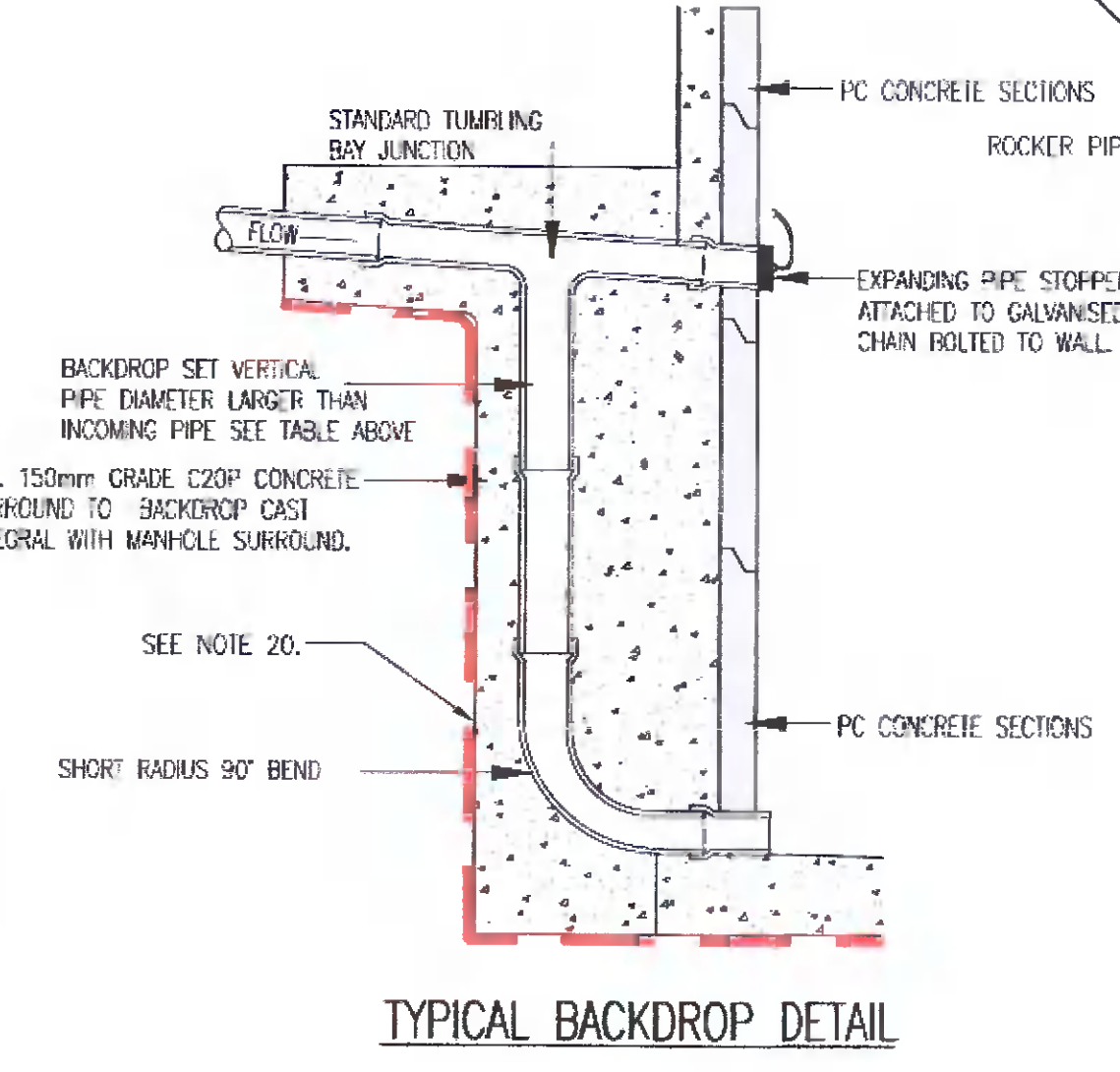
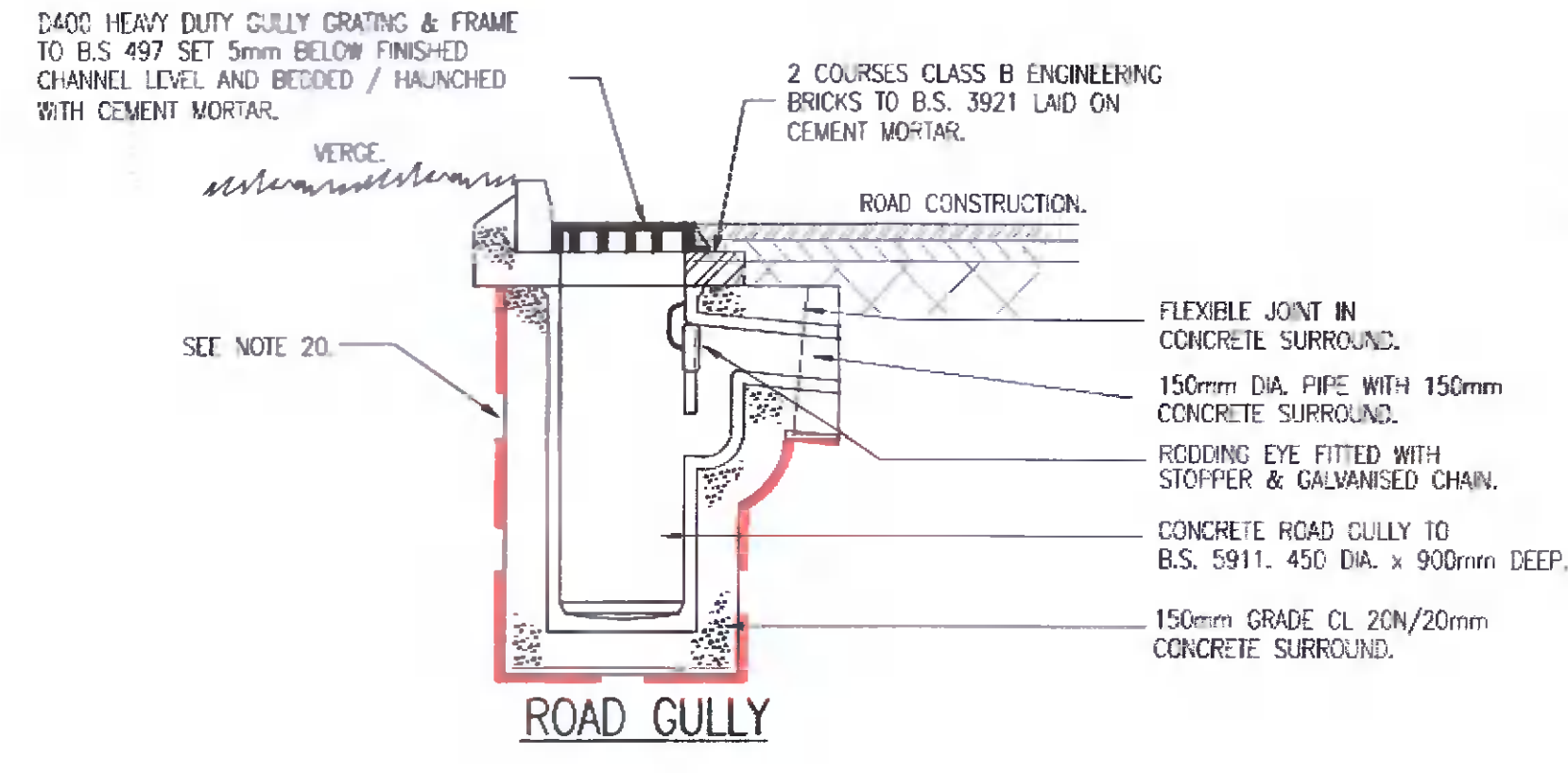


| INLET DIA. (mm) | DROP DIA. (mm) |
|-----------------|----------------|
| 225 | 300 |
| 300 | 375 |
| 375 | 450 |
| 450 | 525 |
| 525 | 600 |
| 600 | 750 |
| 750 | 900 |

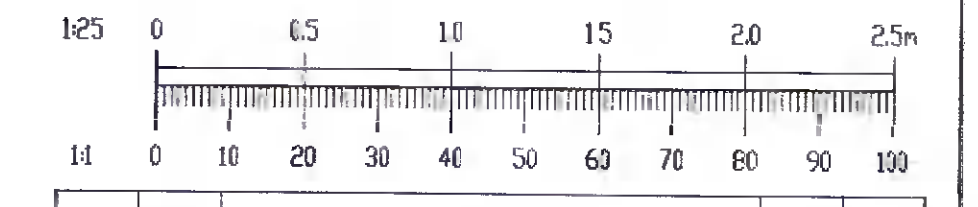


| PIPE DIAMETER | ROCKER PIPE LENGTH |
|---------------|--------------------|
| 150 - 600 | 0.6 |
| 600 - 750 | 1.0 |
| 750 > | SEEK GUIDANCE |

| DIAMETER OF LARGEST PIPE IN MANHOLE | PRECAST CONCRETE RING SIZE |
|-------------------------------------|----------------------------|
| LESS THAN 375mm | 1200mm DIA |
| 375mm TO 450mm | 1350mm DIA |
| 450mm TO 700mm | 1500mm DIA |
| 700mm TO 900mm | 1800mm DIA |
| GREATER THAN 900mm | PIPE DIA + 900 |



- NOTES:
- DO NOT SCALE. USE FIGURED DIMENSIONS ONLY.
 - THIS DRAWING IS TO BE READ IN CONJUNCTION WITH ALL OTHER RELEVANT ARCHITECTURAL, ENGINEERING DRAWINGS AND THE GREATER DUBLIN REGIONAL CODE OF PRACTICE V.6.0.
 - TYPE A GRANULAR FILL SHALL CONSIST OF WASHED FEA CORNEL. ALL MATERIAL SHALL PASS A 19mm B.S. SIEVE TEST AND SHALL BE RETAINED BY A 4.75mm B.S. SIEVE TEST.
 - SELECTED FILL SHALL BE FREE FROM STONES GREATER THAN 25mm IN SIZE. BUILDERS RUBBLE, VEGETABLE MATTER AND LUMPS OF CLAY GREATER THAN 75mm IN SIZE AND SHALL BE COMPACTED IN 150mm LAYERS.
 - IN OPEN SPACES BACKFILL SHALL CONSIST OF SUITABLE SELECTED EXCAVATED MATERIAL. UNDER FAVED AREAS BACKFILL SHALL CONSIST OF CLAUSE 808. GENERAL BACKFILL SHALL BE COMPACTED IN LAYERS NOT EXCEEDING 150mm THICK.
 - CONCRETE BED AND SURROUND SHALL BE USED ON ALL PIPES WHERE COVER TO THE SOFFIT OF THE PIPE IS LESS THAN 1.2m IN ROWS, FOOTPATHS AND GRASS MARGINS AND 0.9m IN OPEN SPACES AND FIELDS.
 - ALL CONCRETE FOR PIPE BEDDING, HAUNCHING AND SURROUNDS SHALL BE GRADE CL 20N/20mm.
 - ALL MANHOLES SHALL BE WATER TIGHT TO THE SATISFACTION OF THE LOCAL AUTHORITY/COUNCIL.
 - FORMWORK TO REINFORCED CONCRETE AND MASS CONCRETE SHALL BE CLASS F2.
 - CLASS U2 FINISH TO THE TOP OF SLABS. REINFORCEMENT TO SLABS TO ENGINEERS DETAILS.
 - 100mm THICK CL 50N/20mm MASS CONCRETE FOUNDATIONS. 225 THICK PRECAST R.C. ROOF SLAB IN CL 30N/20mm CONCRETE. COVER TO STEEL TO BE 40mm.
 - TOP EDGES OF 230mm MINIMUM DEPTH AND GALVANIZED STEEL SAFETY RINGS TO BE PROVIDED IN BENCHING OF SLEWERS GREATER THAN 450mm DIA. AND DEPTH TO INVERT >3m FOR ACCESS TO INVERT.
 - A SAFETY CHAIN IS TO BE PROVIDED ON SEWER PIPES THAT EXCEED 450mm IN DIAMETER. MILD STEEL SAFETY CHAIN SHALL BE 10mm NOMINAL SIZE (GRADE M4) NON CALIBRATED CHAIN, TYPE 1, COMPLYING WITH BS.4942 PART 2 OR EQUIVALENT.
 - WHEN DEPTH OF MANHOLES TO INVERT IS GREATER THAN 3.0m LADDERS SHALL BE USED INSTEAD OF RUNGS. FIXED LADDERS SHOULD MEET THE DIMENSIONAL REQUIREMENTS OF BS.4211 OR EQUIVALENT EXCEPT THAT STRINGERS SHOULD NOT BE LESS THAN 65 X 12mm IN SECTION AND RUNGS 25mm IN DIAMETER.
 - LADDER STRINGERS SHOULD BE ADEQUATELY SUPPORTED FROM THE MANHOLE WALL AT INTERVALS OF NOT MORE THAN 2.0m. STRINGERS SHOULD BE BOLTED TO CLEFS TO FACILITATE RENEWAL.
 - ALL LADDERS, RUNGS, HANGERS, SAFETY CHAIN, ETC. SHALL BE HOT DIPPED GALVANIZED TO BS.729 OR EQUIVALENT.
 - ALL DRAINAGE WORKS SHALL BE CONSTRUCTED STRICTLY IN ACCORDANCE WITH SOUTH DUBLIN COUNTY COUNCIL REQUIREMENTS FOR TRENCHING AND GREATER DUBLIN REGIONAL CODE OF PRACTICE FOR DRAINAGE WORKS.
 - PERMANENT TO FULFILL WATER DRAINAGE WORKS - IT IS THE CONTRACTOR'S RESPONSIBILITY TO ENSURE THAT ALL WORKS ARE CONSTRUCTED IN ACCORDANCE WITH THE IRISH WATER CODE OF PRACTICE AND STANDARD DETAILS. THE CODE OF PRACTICE AND STANDARD DETAILS ARE AVAILABLE TO DOWNLOAD FROM THE IRISH WATER WEB SITE AT WWW.IRISHWATER.COM/CONTRACTORS/DEVELOPERS/SERVICES/ WHERE THE DETAILS CONTAINED ON THIS DRAWING DIFFER FROM THE IRISH WATER CODE OF PRACTICE OR STANDARD DETAILS THIS MUST BE BROUGHT TO THE ATTENTION OF THE ENGINEER IMMEDIATELY. IRISH WATER STANDARDS WILL TAKE PRECEDENCE.
 - FOR DOWNSTREAM DEFENDER DETAILS REFER TO MANUFACTURER'S HYDRO INTERNATIONAL DESIGN DATA AND INSTALLATION DETAILS. MANUFACTURER'S DETAILS SUPERSEDE THIS DRAWING'S DETAILS.
 - ALL TRENCHES IN EXPOSED ROCK TO BE LINED WITH LIQUID BITUMEN SPRAY IMMEDIATELY AFTER EXPOSURE.



| REV | DATE | AMENDMENT | DRN | APPD |
|----------|------|---------------------|-----|------|
| 29/04/22 | | ISSUED FOR PLANNING | MS | EC |

STATUS: **FOR PLANNING ONLY NOT FOR CONSTRUCTION**

Waterman Moylan
Engineering Consultants
BLOCK 6, EASTPOINT BUSINESS PARK, ALFIE BYRNE ROAD,
DUBLIN D03 H3F4 IRELAND.
Tel: (01) 664 8900 Fax: (01) 661 3618
Email: info@waterman-moylan.ie www.waterman-moylan.ie

CLIENT: **ADAMSTOWN STATION AND BOULEVARD LTD.**
ARCHITECT: **McCAULEY DAYE O'CONNELL ARCHITECTS LTD.**

PROJECT: **ADAMSTOWN - BOULEVARD TIRE PHASE 1**

TITLE: **DRAINAGE CONSTRUCTION DETAILS SHEET 1 OF 2**

| DRAWN | DESIGNED | APPROVED | DATE |
|----------|----------|----------|------------|
| MS | MS | EC | APRIL 2022 |
| SCALE | JOB NO. | DRG. NO. | REVISION |
| 1:25 @A1 | 21-074 | P220 | - |

© 2022. All drawings are copyright. No part of this document may be reproduced or transmitted in any form or by any means without the written permission of the drawing engineer or copyright holder except as agreed by email to the engineer or copyright holder.