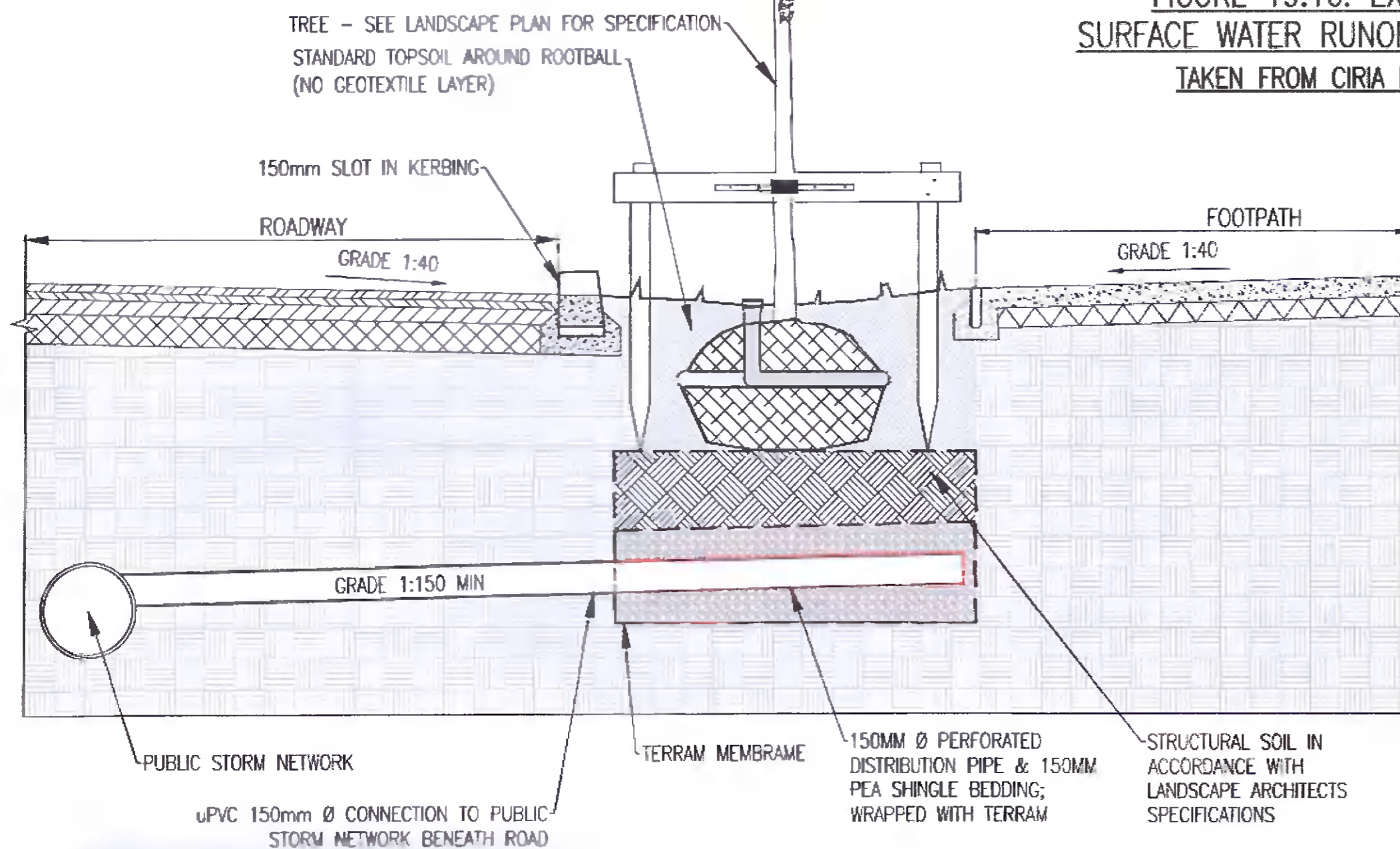
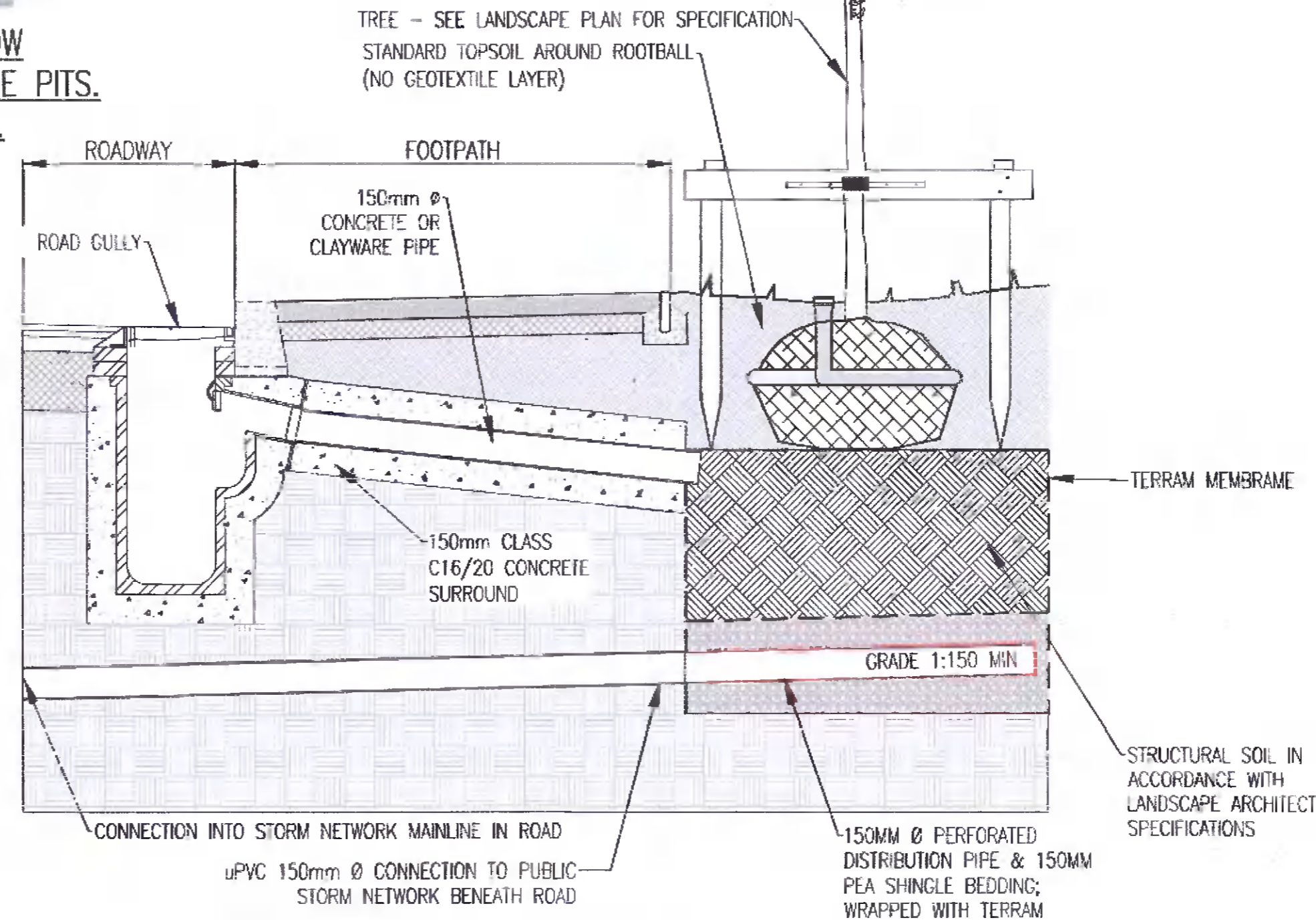


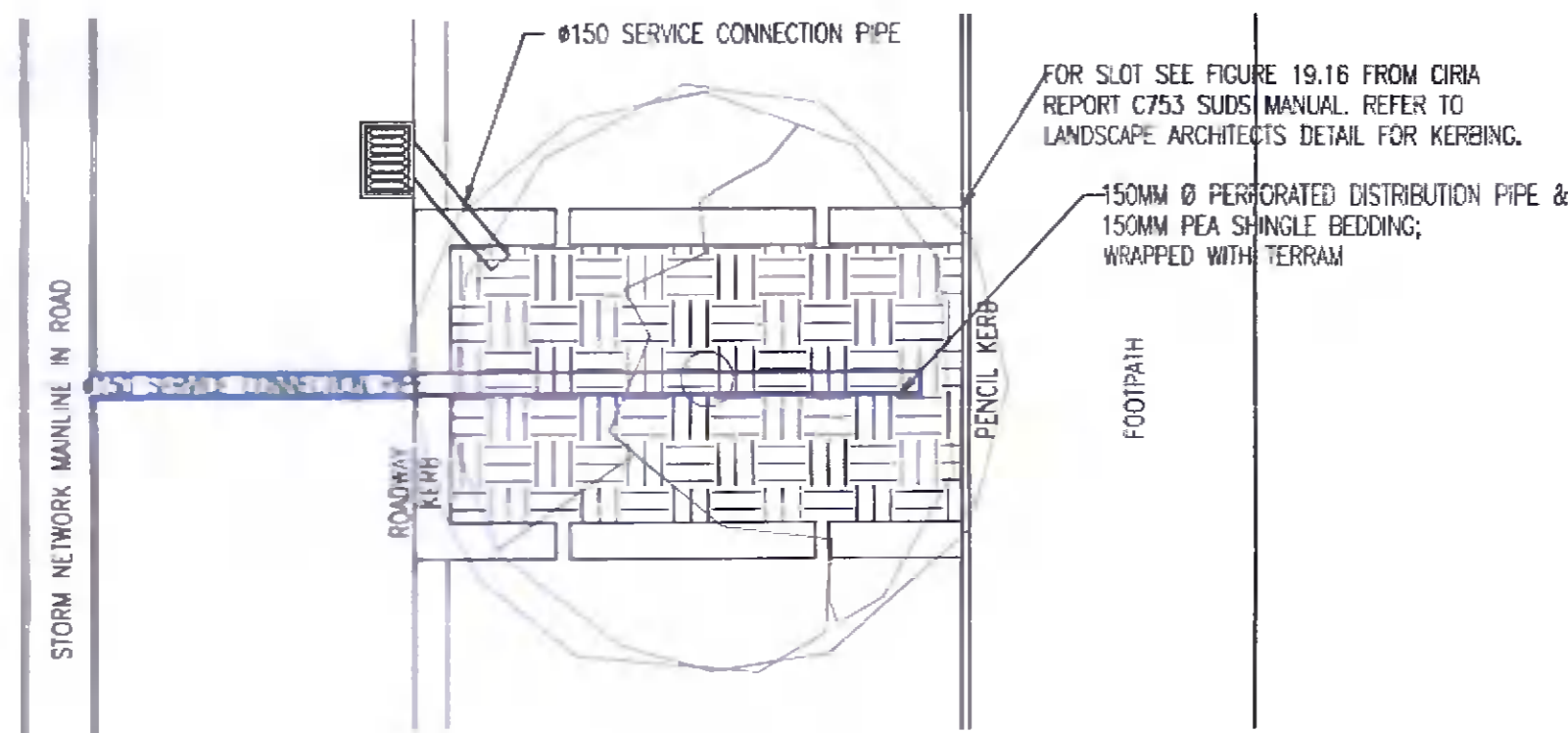
FIGURE 19.16: EXAMPLE OF INLETS TO ALLOW SURFACE WATER RUNOFF TO INFILTRATE INTO TREE PITTS.
TAKEN FROM CIRIA REPORT C753 THE SUDS MANUAL.



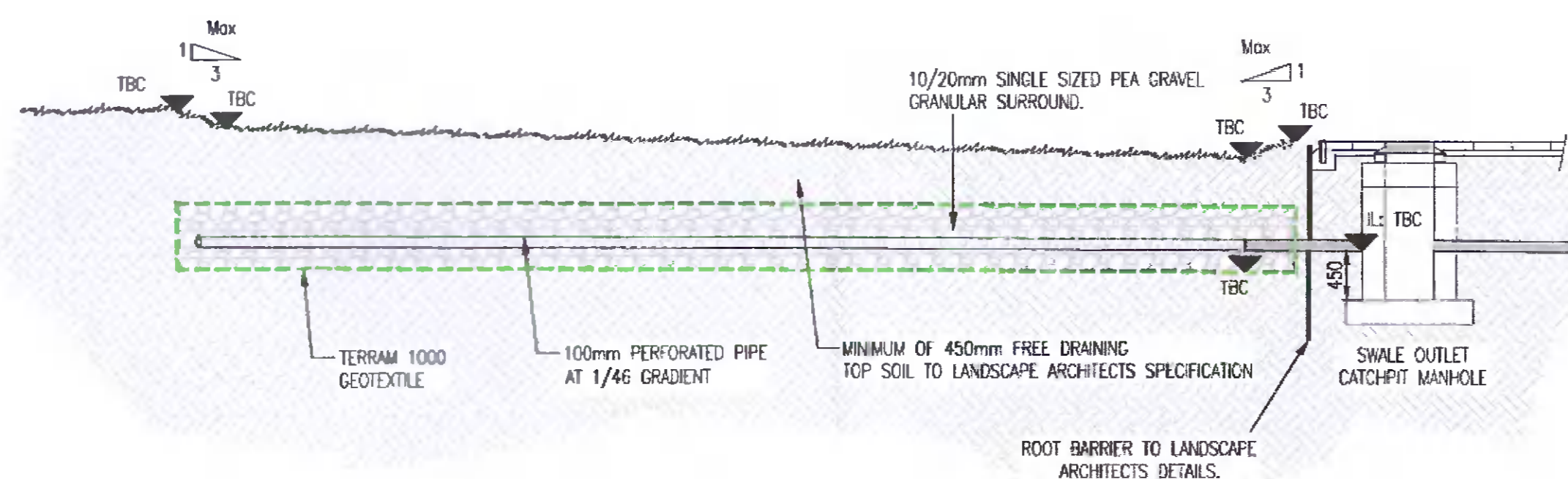
TYPICAL SECTION THROUGH TREE PIT (WITH PUBLIC STORM NETWORK CONNECTION)
SCALE 1:25 @ A1



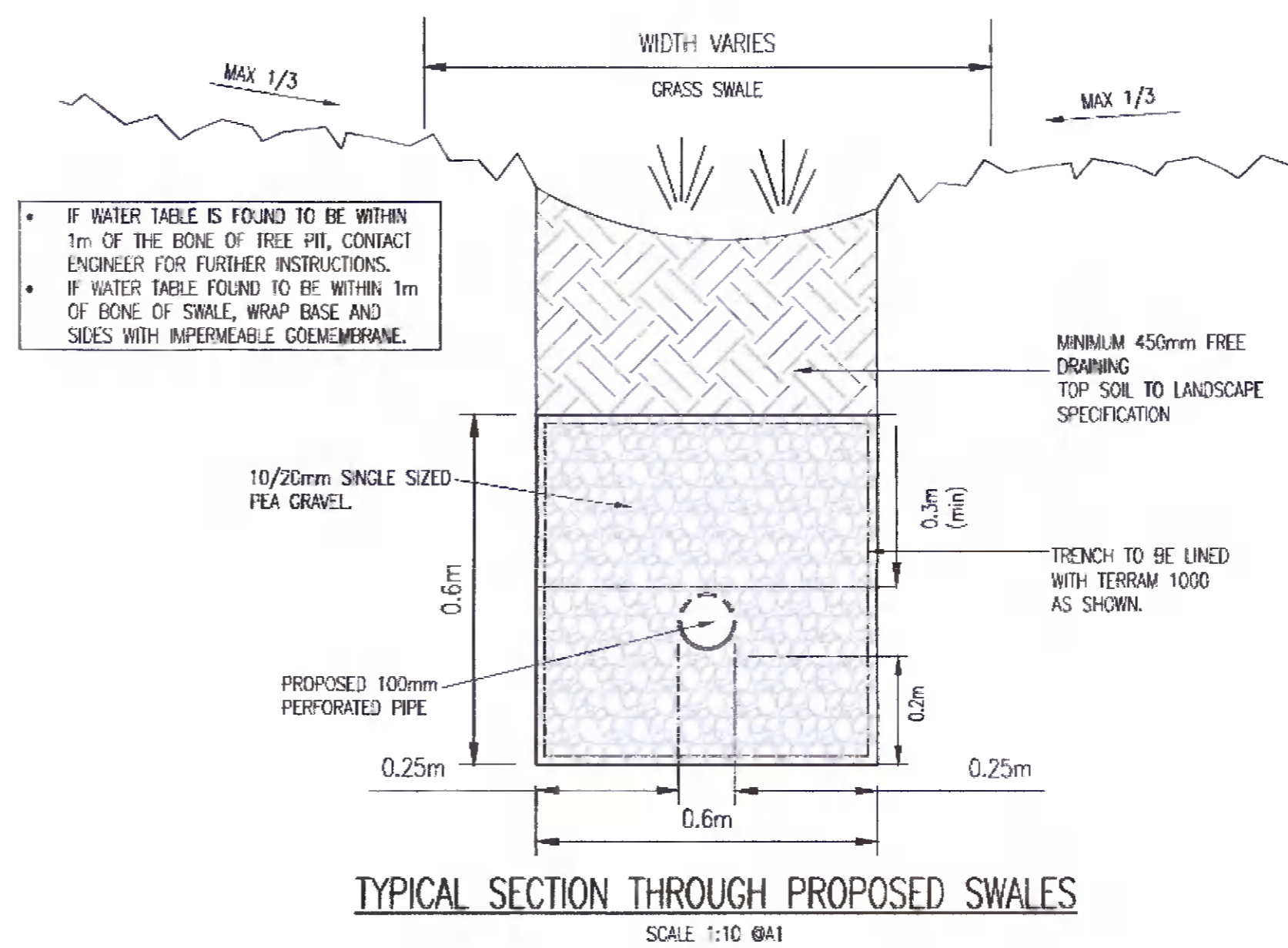
TYPICAL SECTION THROUGH TREE PIT (WITH GULLY CONNECTION)
SCALE 1:25 @ A1



PLAN - TYPICAL TREE PIT DETAIL
SCALE 1:50 @ A1

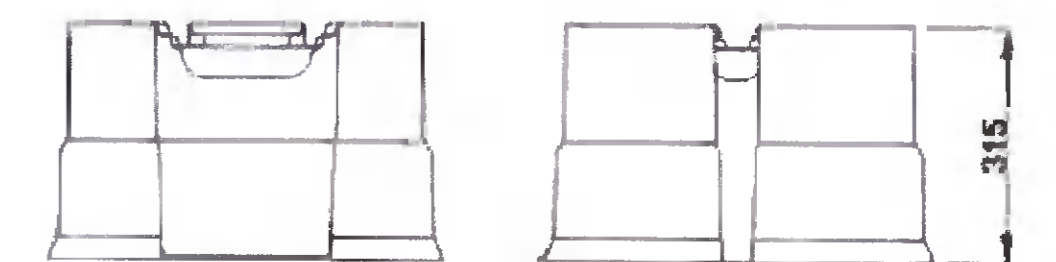
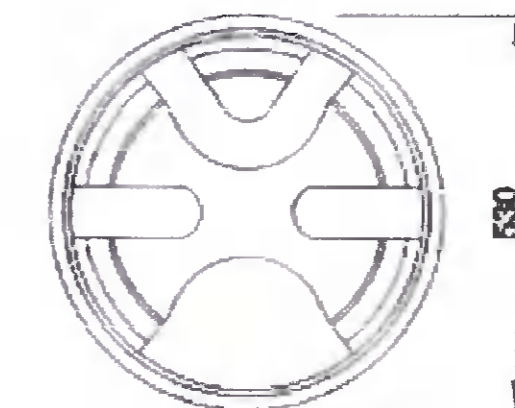
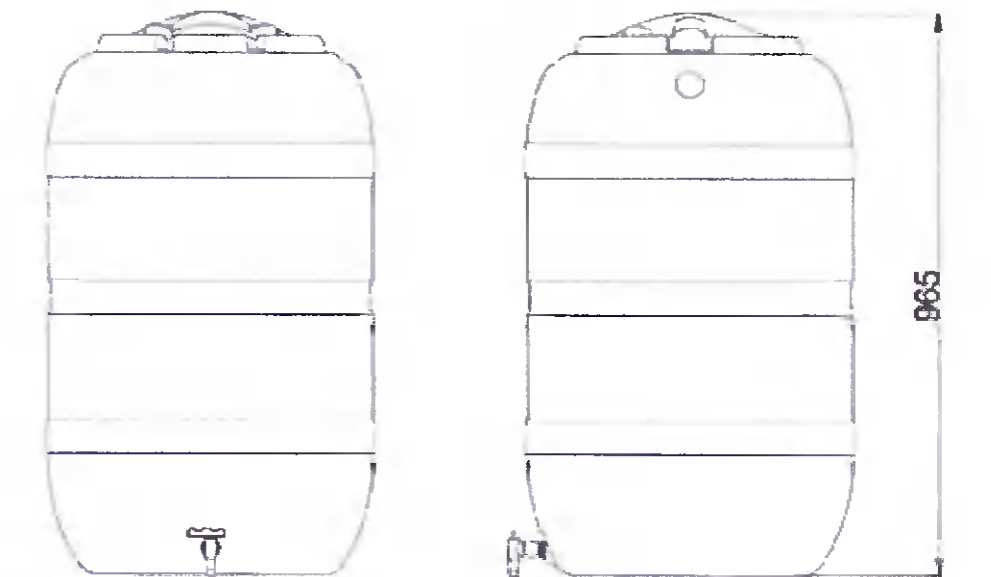
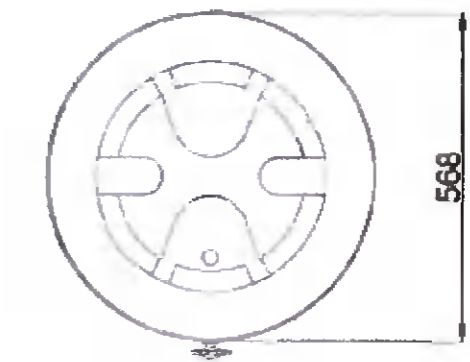


TYPICAL SWALE LONG SECTION
SCALE 1:50 @ A1



TYPICAL SECTION THROUGH PROPOSED SWALES
SCALE 1:10 @ A1

- NOTES:
- DO NOT SCALE. USE FIGURED DIMENSIONS ONLY.
 - THIS DRAWING IS TO BE READ IN CONJUNCTION WITH ALL OTHER RELEVANT ARCHITECTURAL AND ENGINEERING DRAWINGS.
 - MINIMUM DEPTH OF 1m ABOVE CROWN OF PRIVATE SURFACE WATER/GULLY PIPE TO ALLOW FOR SERVICES IN FOOTPATH.
 - ALL SURFACE WATER STRUCTURES AND PIPES TO BE INSTALLED IN ACCORDANCE WITH THE GDSDS AND PART H GUIDELINES.
 - SEE LANDSCAPE ARCHITECT LAYOUT AND DETAILS.



210L STANDARD WATER BUTT
NTS

- 1 NO. WATER BUTT TO BE INSTALLED IN EACH UNIT'S REAR GARDEN
- REFER TO THE RELEVANT ARCHITECT DRAWING FOR POSITION.

29/04/22	ISSUED FOR PLANNING	MS	EC
REV. DATE	AMENDMENT	DRN	APPO

STATUS **FOR PLANNING ONLY**
NOT FOR CONSTRUCTION

Waterman Moylan
Engineering Consultants
BLOCK 5, EASTPOINT BUSINESS PARK, ALFIE BYRNE ROAD,
DUBLIN D03 H3F4 IRELAND. Tel: (01) 664 8900
Email: info@waterman-moylan.ie www.waterman-moylan.ie

CLIENT **ADAMSTOWN STATION AND BOULEVARD LTD.**
ARCHITECT **MCCAULEY DAYE O'CONNELL ARCHITECTS LTD.**
PROJECT **ADAMSTOWN - BOULEVARD TILE PHASE 1**

TITLE **Typical SuDS Construction Details**
PROPOSED SUDS DETAILS

DRAWN MS	DESIGNED MS	APPROVED EC	DATE APRIL 2022
SCALE AS SHOWN @ A1	JOB NO. 21-074	DRG. NO. P215	REVISION -