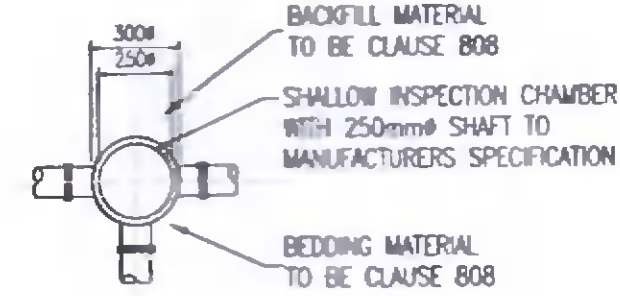
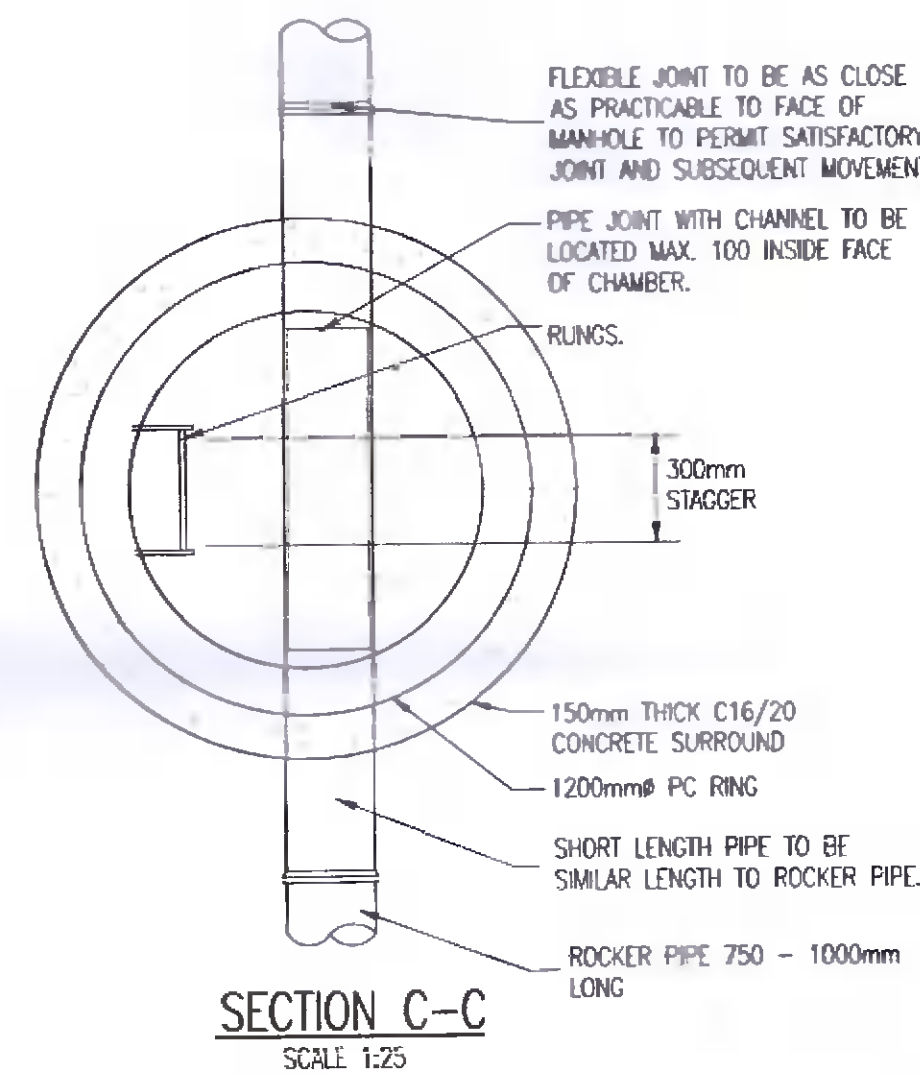


SECTION

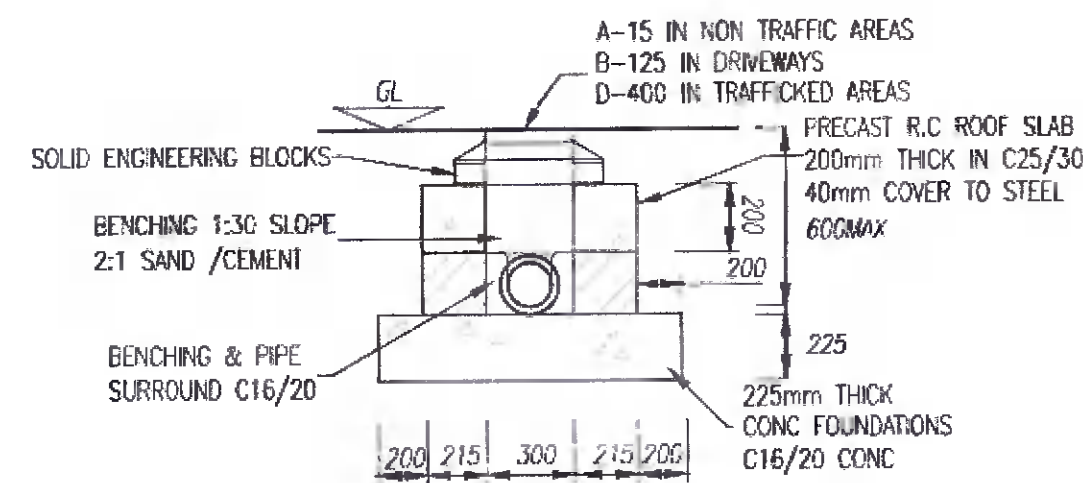


PLAN

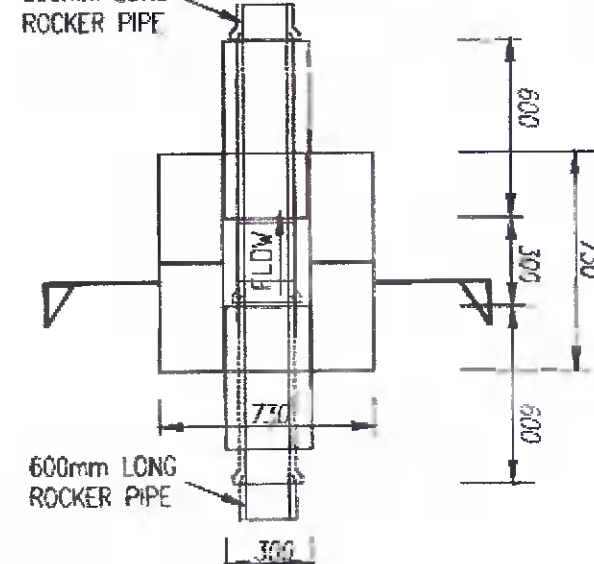
CIRCULAR INSPECTION CHAMBER WHERE INVERT IS 0.6m OR LESS BUILDING REGULATIONS TGD SECTION H TABLE 9
SCALE 1:25



SECTION C-C
SCALE 1:25

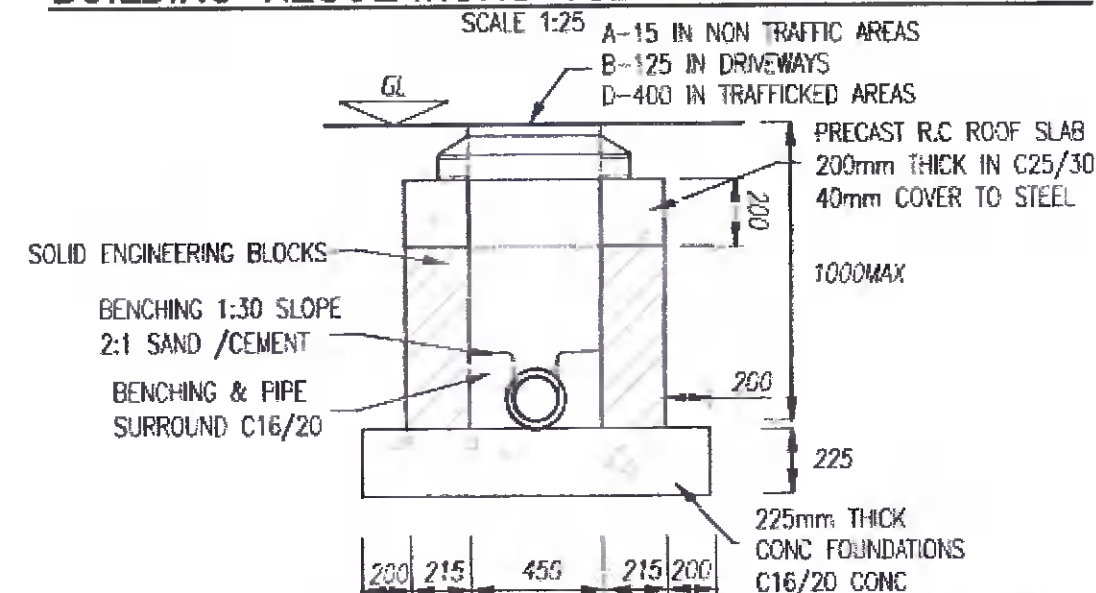


SECTION

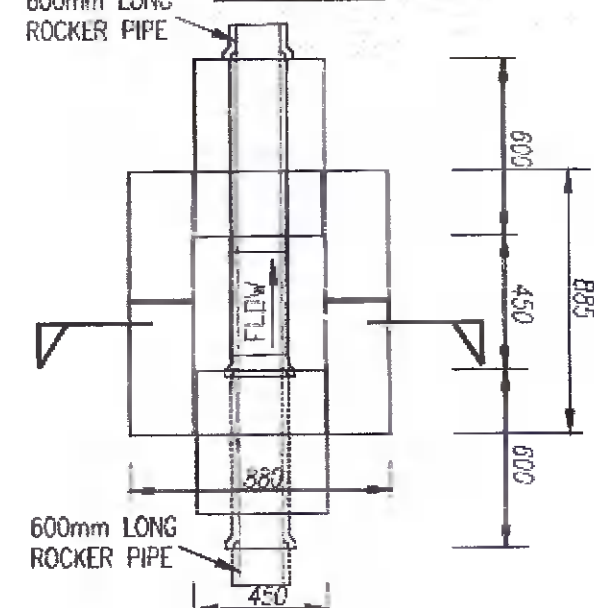


PLAN

INSPECTION CHAMBER WHERE INVERT IS 0.6m OR LESS BUILDING REGULATIONS TGD SECTION H TABLE 9
SCALE 1:25

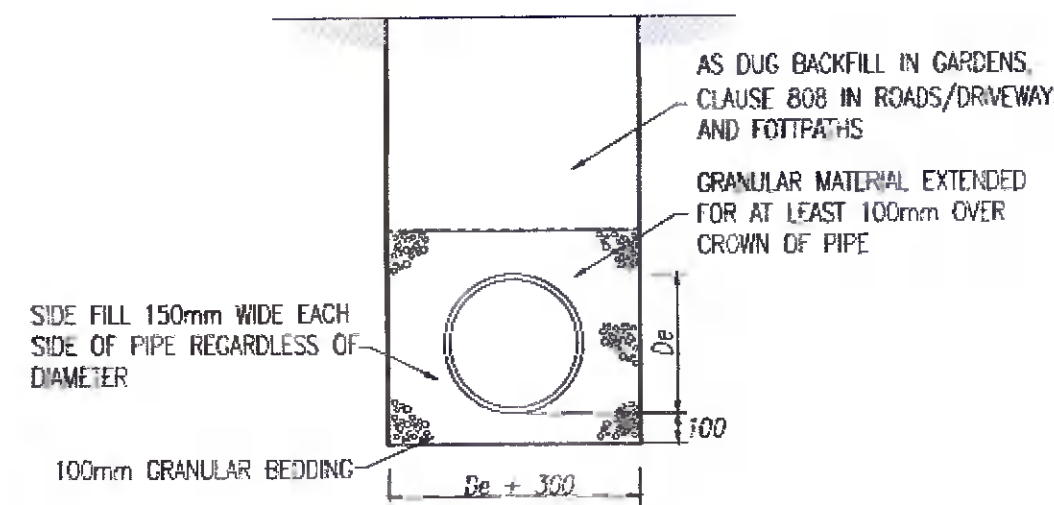


SECTION

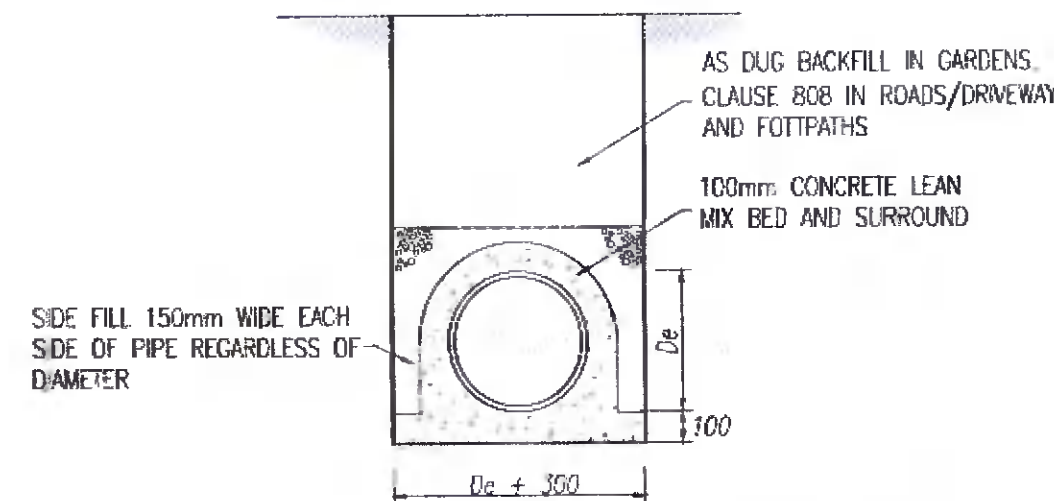


PLAN

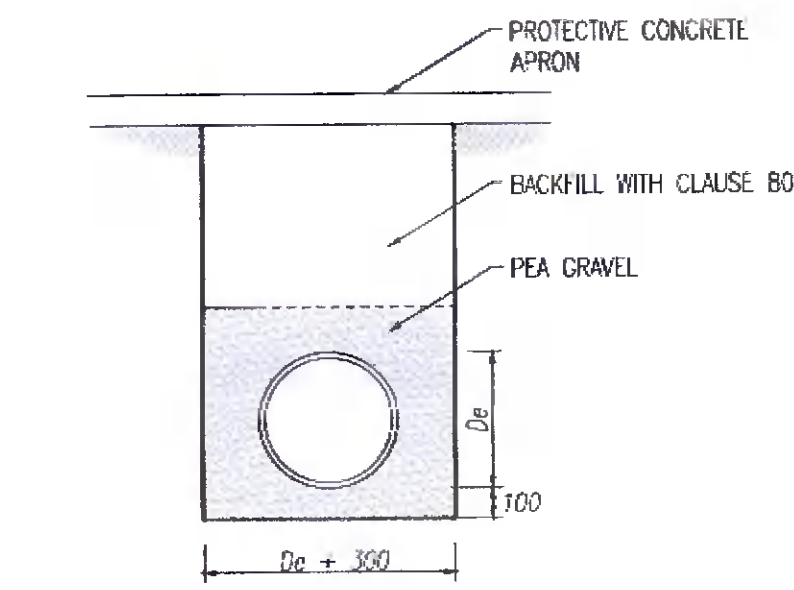
INSPECTION CHAMBER WHERE INVERT IS 1m OR LESS BUILDING REGULATIONS TGD SECTION H TABLE 9



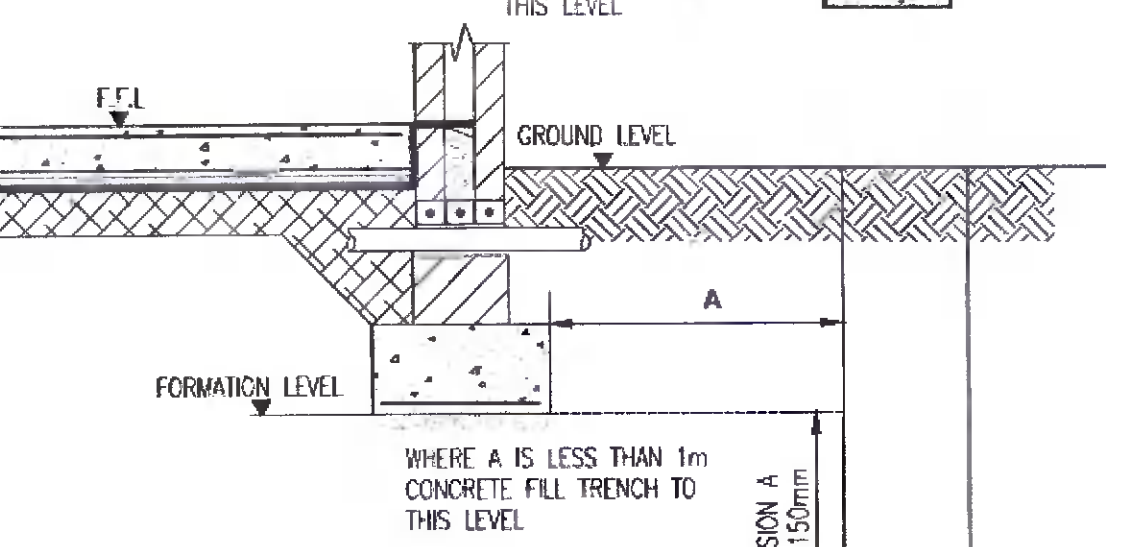
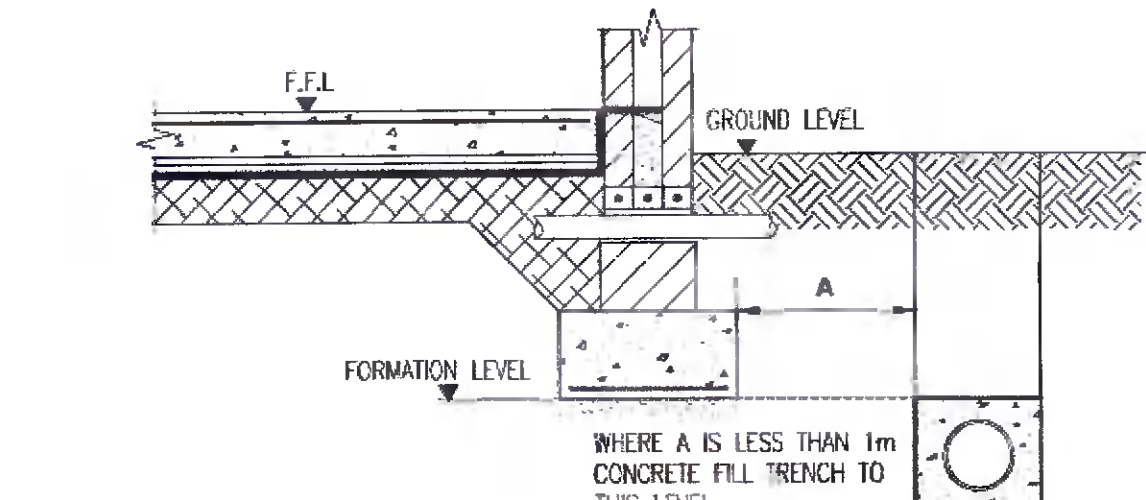
PIPES BEDDED IN GRANULAR MATERIAL COVER > 0.9m IN ROADS COVER > 0.6m IN GARDENS
SCALE 1:25



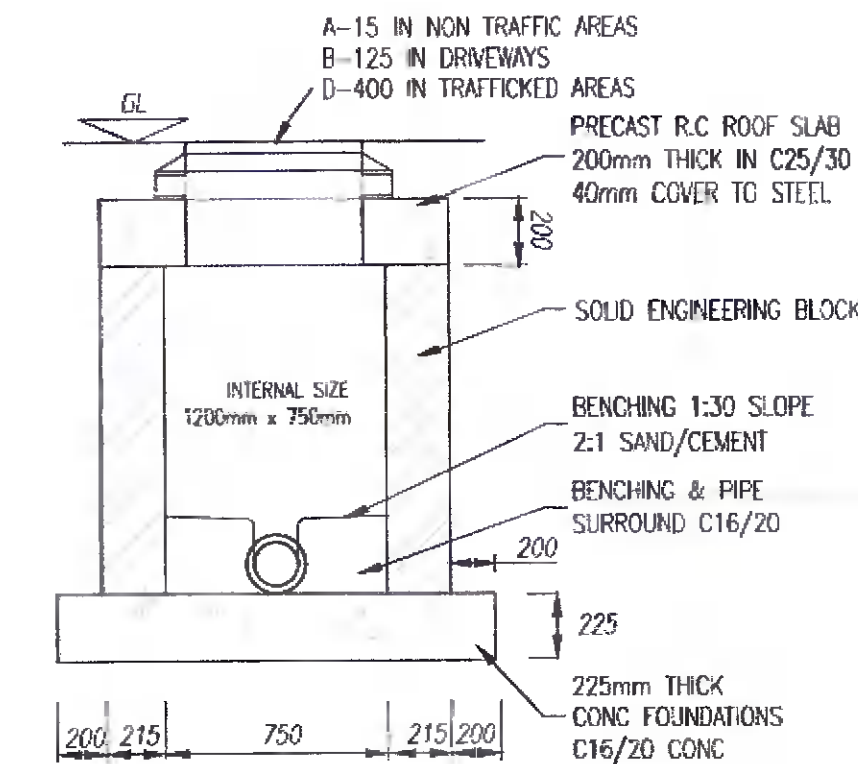
PIPES BEDDED IN GRANULAR MATERIAL COVER < 0.9m IN ROADS COVER < 0.6m IN GARDENS
SCALE 1:25



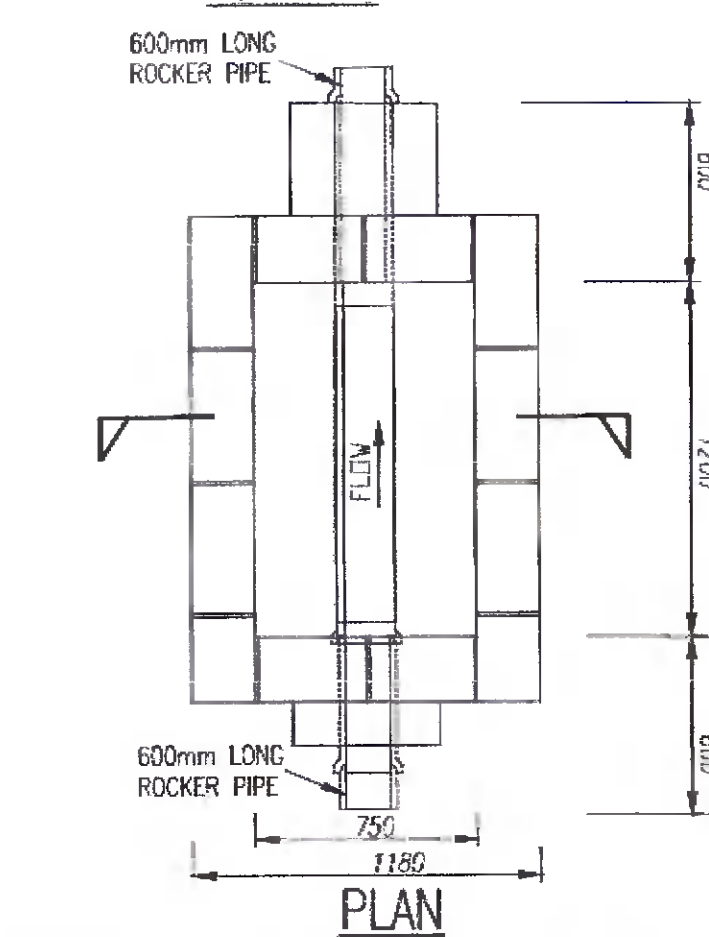
PIPES BEDDING ALTERNATIVE DETAIL COVER < 0.9m IN ROADS COVER < 0.6m IN GARDENS
SCALE 1:25



TYPICAL DETAIL WHERE PIPE RUNS NEAR BUILDINGS
SCALE 1:25



SECTION



PLAN

INSPECTION CHAMBER DEPTH TO INVERT IS BETWEEN 1m AND 2.7m BUILDING REGULATIONS TGD SECTION H TABLE 9
SCALE 1:25

- NOTES:
- DO NOT SCALE. USE FIGURED DIMENSIONS ONLY.
 - THIS DRAWING IS TO BE READ IN CONJUNCTION WITH ALL OTHER RELEVANT ARCHITECTURAL AND ENGINEERING DRAWINGS.
 - ALL WORKS TO BE CARRIED OUT IN ACCORDANCE WITH THE REQUIREMENTS OF THE BUILDING REGULATIONS 2010 SECTION H "DRAINAGE AND WASTE WATER DISPOSAL" AND WITH LOCAL AUTHORITY REQUIREMENTS.
 - ANY ALTERNATIVE DETAILS PROPOSED BY THE CONTRACTOR SHALL BE SUBMITTED TO THE ENGINEER AT LEAST 2 WEEKS PRIOR TO THE CONSTRUCTION OF THE DRAIN.
 - MINIMUM SPACING OF ACCESS POINTS TO BE IN ACCORDANCE WITH BUILDING REGULATIONS TECHNICAL GUIDANCE DOCUMENT SECTION 4 TABLE 10.
 - DETAILS OF MATERIALS FOR CONSTRUCTION REFER TO BUILDING REGULATIONS TECHNICAL GUIDANCE DOCUMENT SECTION 4 TABLE 11.
 - BACKFILL OF ALL INSPECTION CHAMBERS TO BE 808 BACKFILL IN 200mm LAYERS.
 - INSTALLATION OF PLASTIC PIPES AND FITTINGS, GULLIES, A/S ETC TO BE STRICTLY IN ACCORDANCE WITH MANUFACTURERS INSTRUCTIONS.

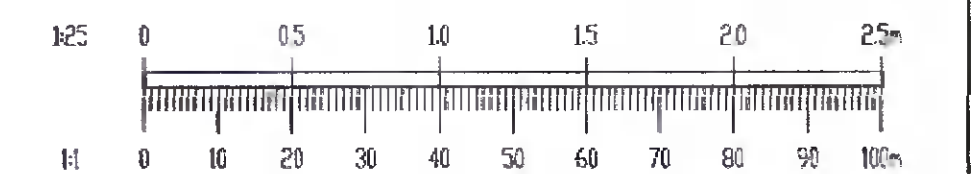


TABLE 9 Minimum dimensions for access fitting and chambers

| Type | Depth to (m) | Internal Sizes | | Cover Sizes | |
|--------------------|--------------|--------------------------|---------------|--------------------------|---------------|
| | | length x width (mm x mm) | Circular (mm) | length x width (mm x mm) | Circular (mm) |
| Rodding eye | | | | | |
| Access Fitting | | | | | |
| small | 0.6 or less | 150 x 100 | 150 | 150 x 100 | 150 |
| large | | 300 x 100 | - | 300 x 100 | - |
| Inspection Chamber | 0.6 or less | 300 x 300 | 190* | 300 x 300 | 190* |
| | 1.0 or less | 450 x 450 | 450 | 450 x 450 | 450** |
| Manhole | 1.5 or less | 1200 x 750 | 1000 | 600 x 600 | 600 |
| | over 1.5 | 1200 x 750 | 1200 | 600 x 600 | 600 |
| | over 2.7 | 1200 x 840 | 1200 | 600 x 600 | 600 |
| Shaft | over 2.7 | 900 x 840 | 900 | 600 x 600 | 600 |

Note:
* For clayware or plastics may be reduced to 430mm in order to provide support for cover and frame
** Drains up to 150mm

CIRCULAR INSPECTION CHAMBER WHERE INVERT IS BETWEEN 1m AND 2.7m BUILDING REGULATIONS TGD SECTION H TABLE 9
SCALE 1:25

