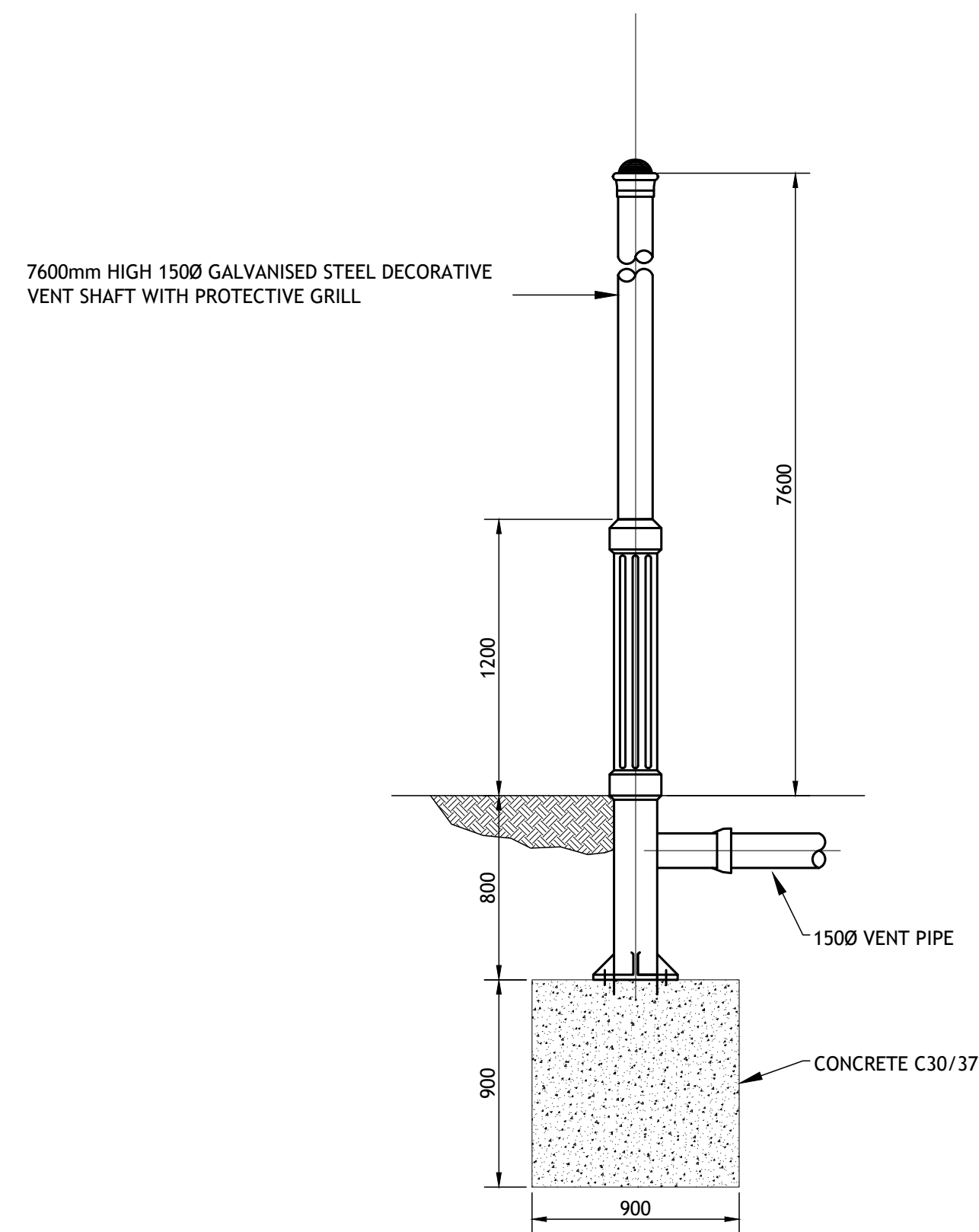
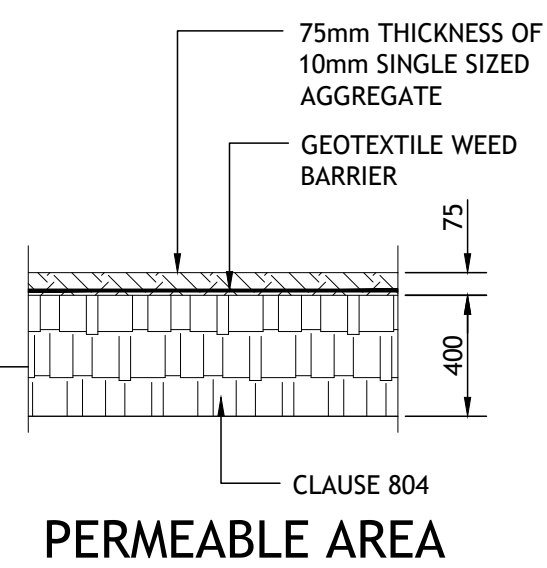


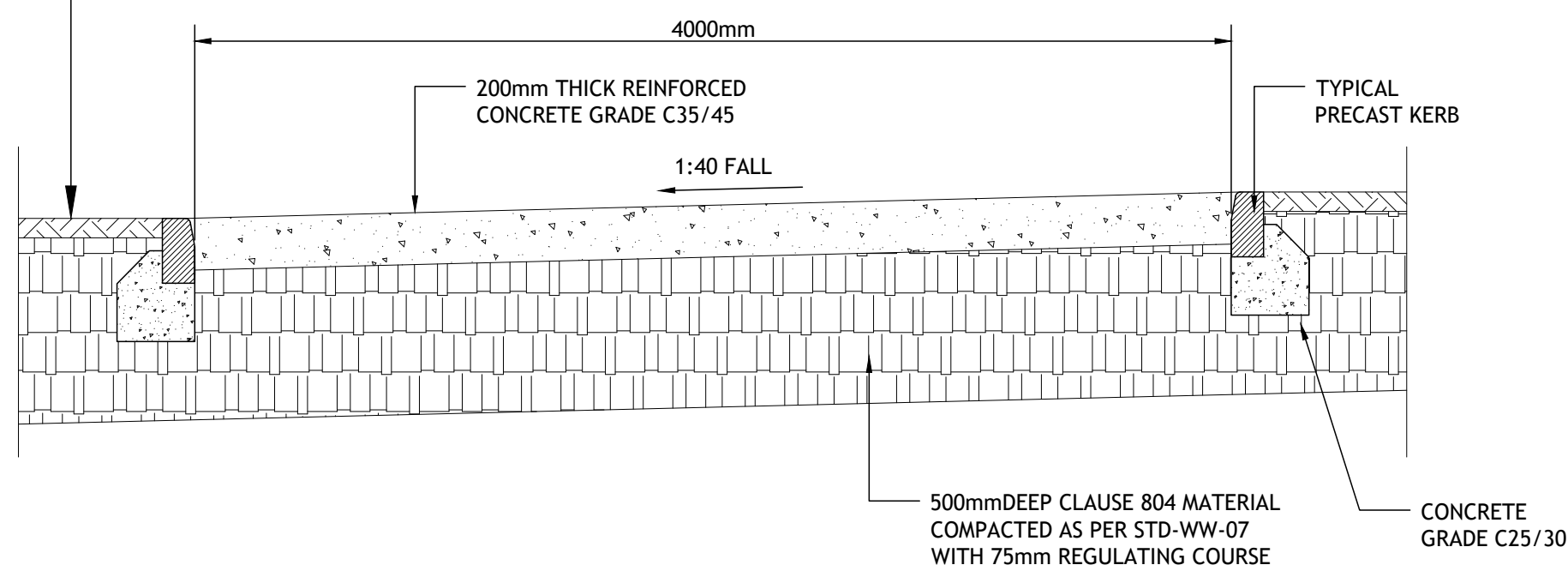
CROSS SECTION OF MACADAM SURFACE
SCALE NTS



VENT STACK DETAIL
SCALE 1:25



PERMEABLE AREA



CROSS SECTION CONCRETE SLAB
SCALE NTS

GENERAL NOTES:

1. THIS DRAWING IS TO BE READ IN CONJUNCTION WITH ALL RELEVANT ARCHITECTS & ENGINEERS DRAWINGS, SPECIFICATIONS, ETC..
2. DO NOT SCALE, USE FIGURED DIMENSIONS ONLY (WHERE APPLICABLE)
3. ANY DISCREPANCIES / DEVIATIONS ENCOUNTERED TO BE REPORTED TO THE ENGINEER IMMEDIATELY (IN WRITING).
4. FOR ALL SETTING OUT DIMENSIONS REFER TO ARCHITECTS DRAWINGS.

*** DO NOT SCALE USE FIGURED DIMENSIONS ONLY ***

P1	PF	PLANNING	02-05-2022
REV:	BY:	AMENDMENTS:	DATE:

DRAWN BY:	PM	TECH. CHECK:	PM
SCALE:	AS SHOWN	SIZE:	A1
DATE:	08/01/2021	APPROVED:	AF

DRAWING STATUS:
FOR PLANNING

CLIENT: GEENHILLS LIVING
C/O BELVEDERE LIVING LTD

JOB TITLE: BANCROFT VIEW SHD

DRAWING TITLE: DRAINAGE DETAILS
SHEET 3 OF 4



Fitzsimons Doyle & Associates
250 Harold's Cross Road, Dublin 6w
Tel: +353 (0) 4966011 Fax: +353 (0) 4967018
Web: www.fdaconsulting.ie Email: admin@fdaconsulting.ie

JOB No:	DRAWING No:	REV:
20_4993	629	P1