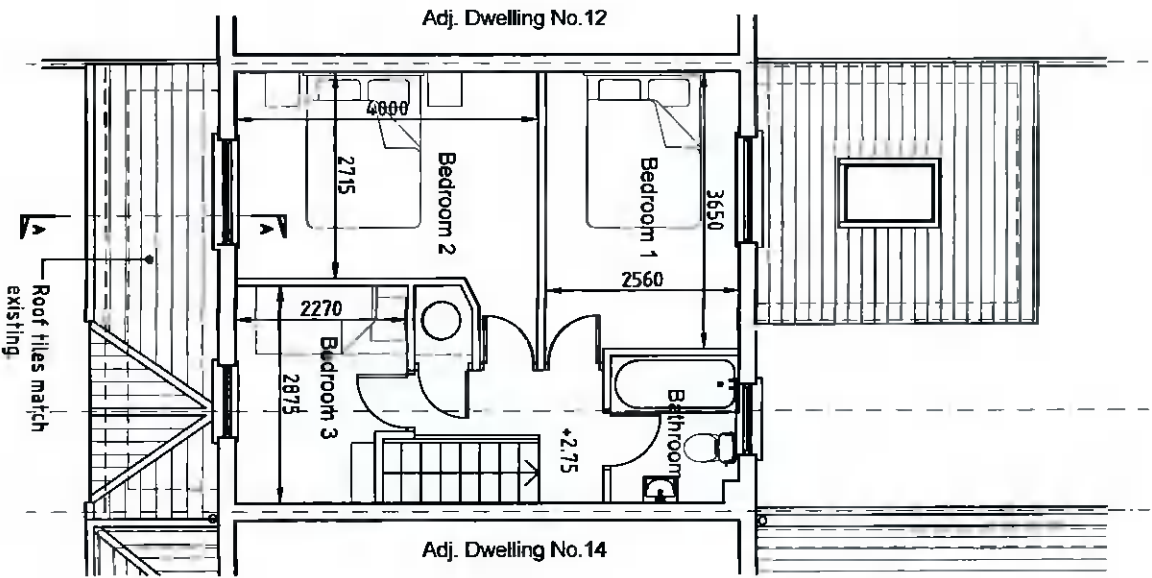
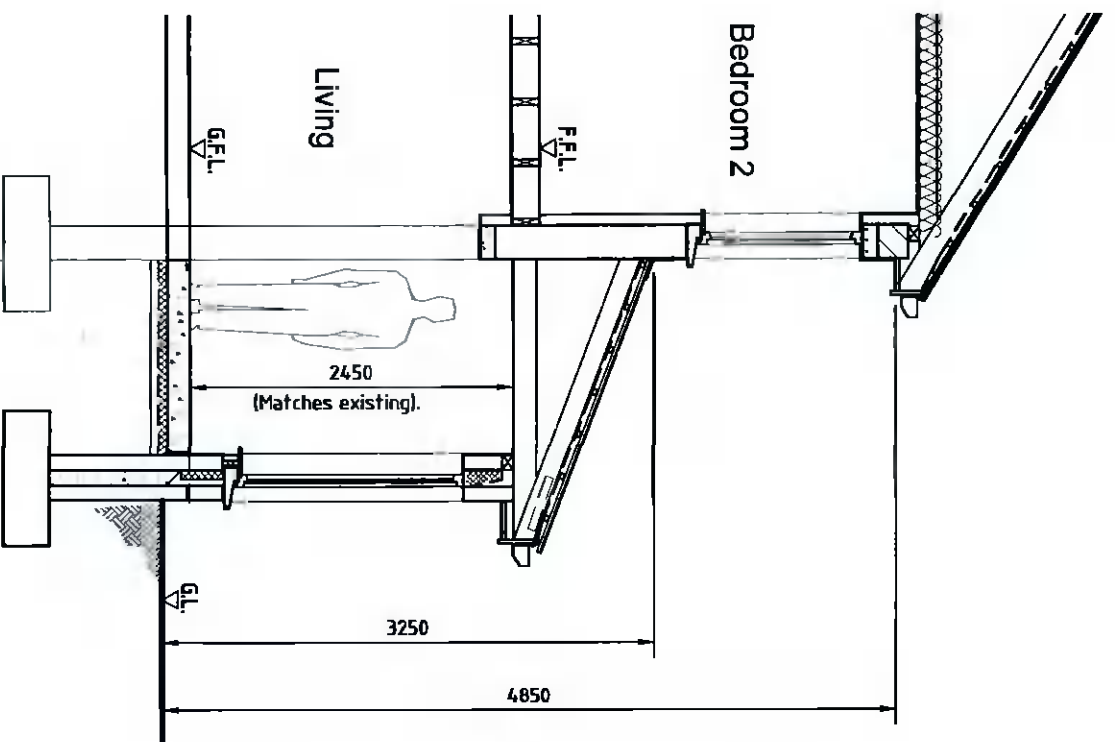


**Existing Ground Floor Plan.**  
Scale 1:100



**Existing First Floor Plan.**  
Scale 1:100



**Section A-A**  
Scale 1:50

**Retention Permission at  
13 Castle Lawns,  
Tallaght, Dublin 24 - Existing  
Floor Plans & Section A-A.**

Applicant:	Aidan O'Connell, 13 Castle Lawns, Tallaght, Dublin 24	Agent:	John Shevlin 114 Ashington Rise, Navan Road, Dublin 7.
Drn.:	JDS	Date:	20.04.22
Job No.:	2202	Scales:	As Shown at A3
Rev.:	01	Drawing No.:	01