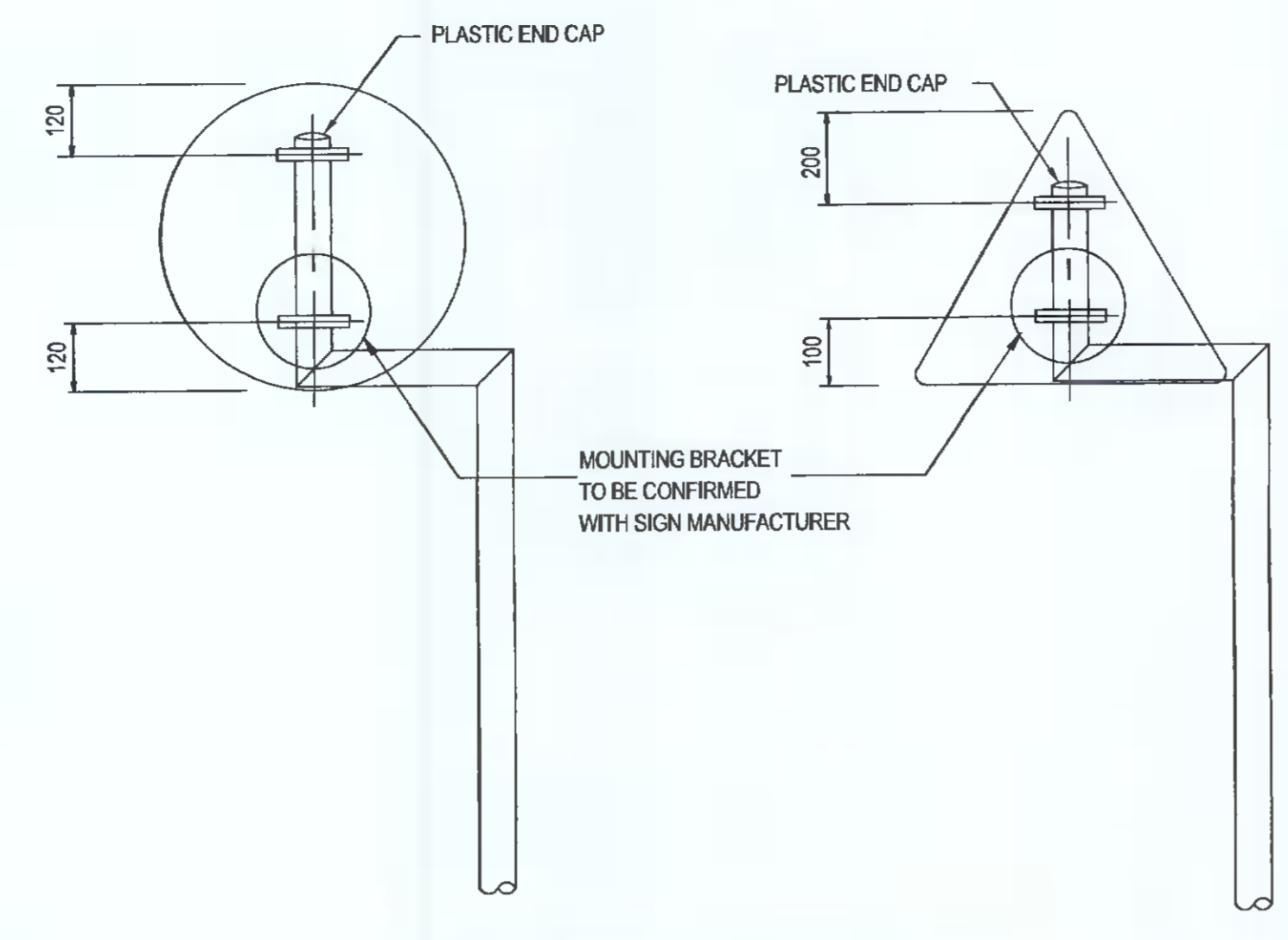
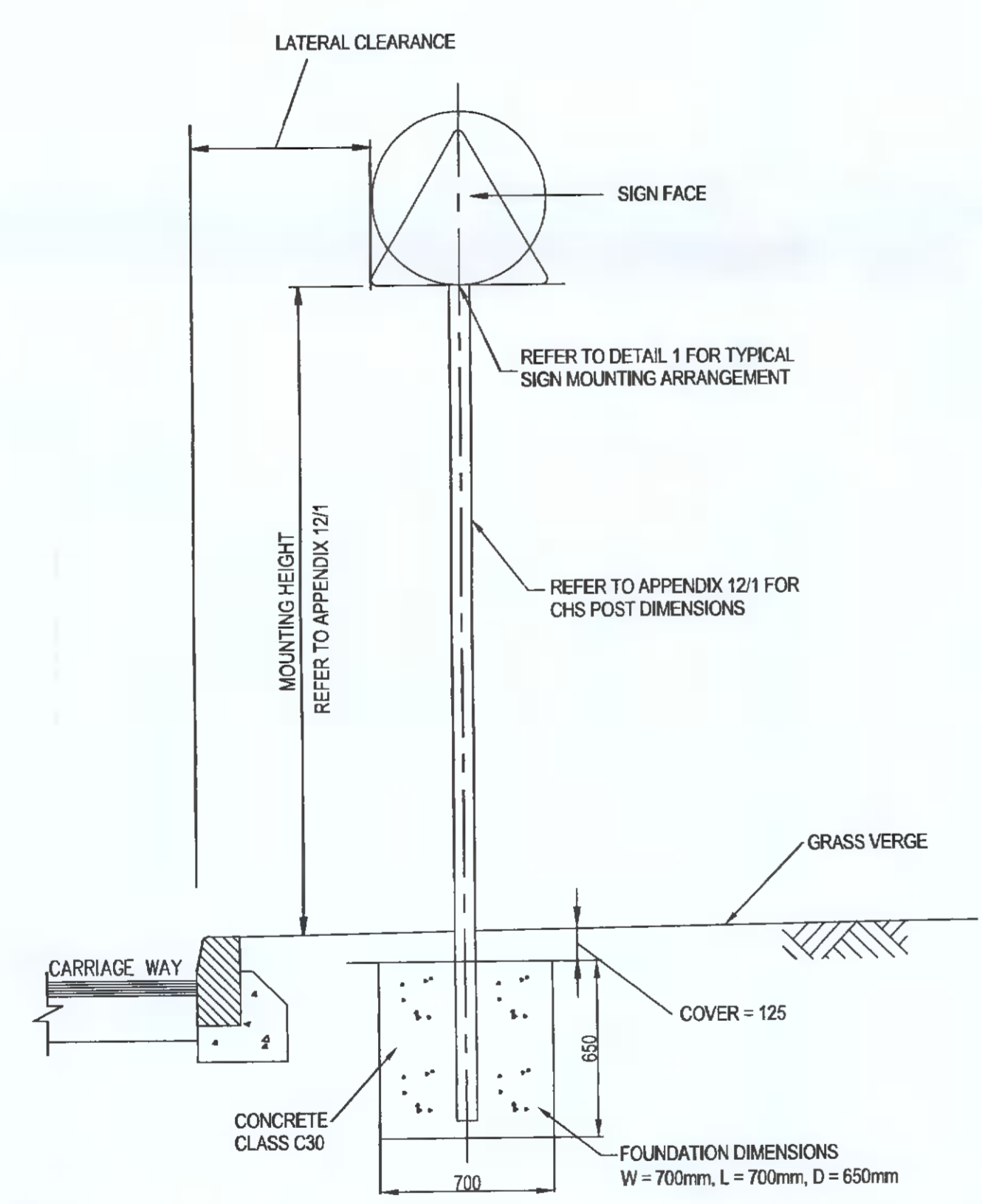


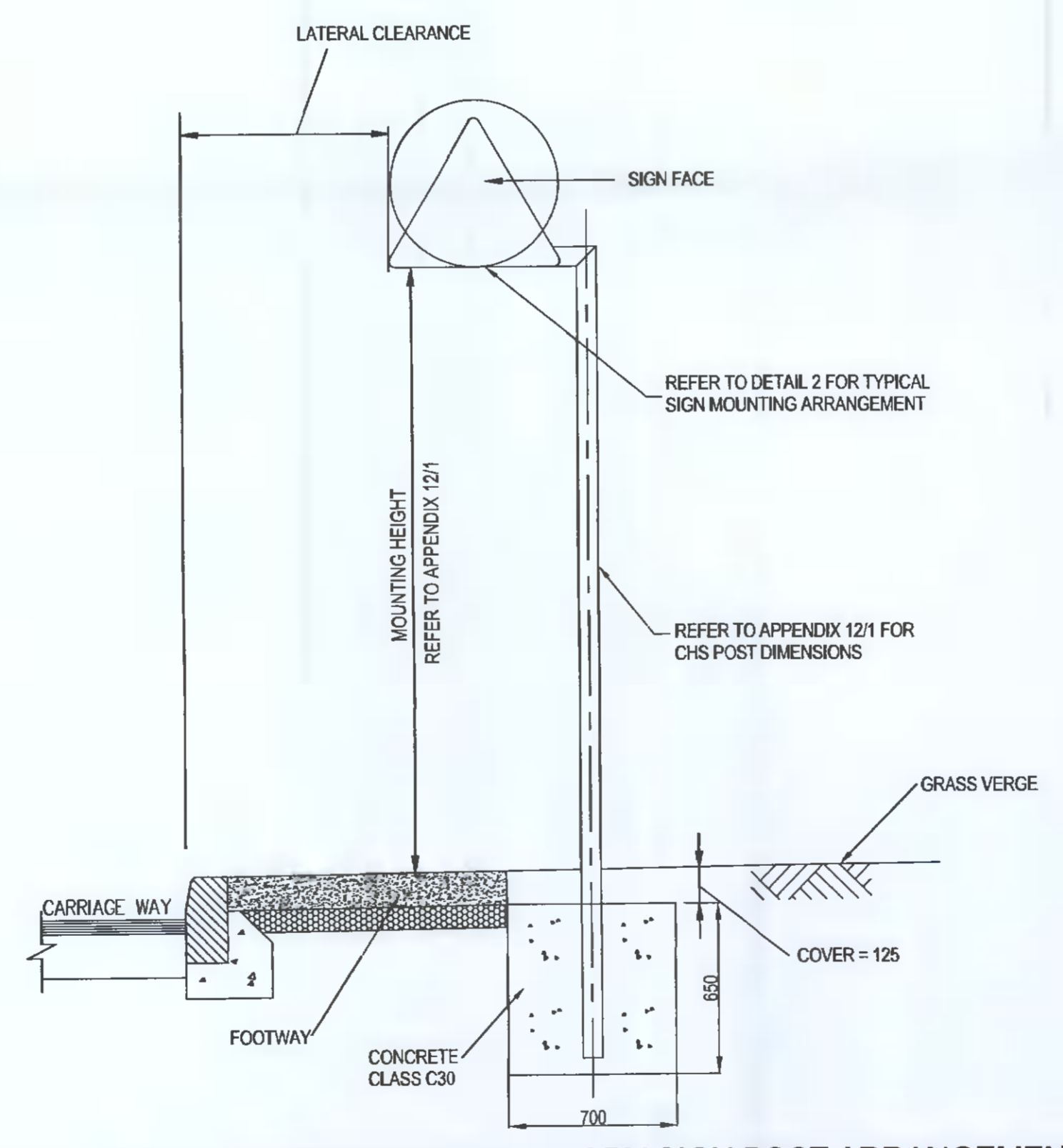
1 TYPICAL DETAIL FOR SIGN MOUNTING



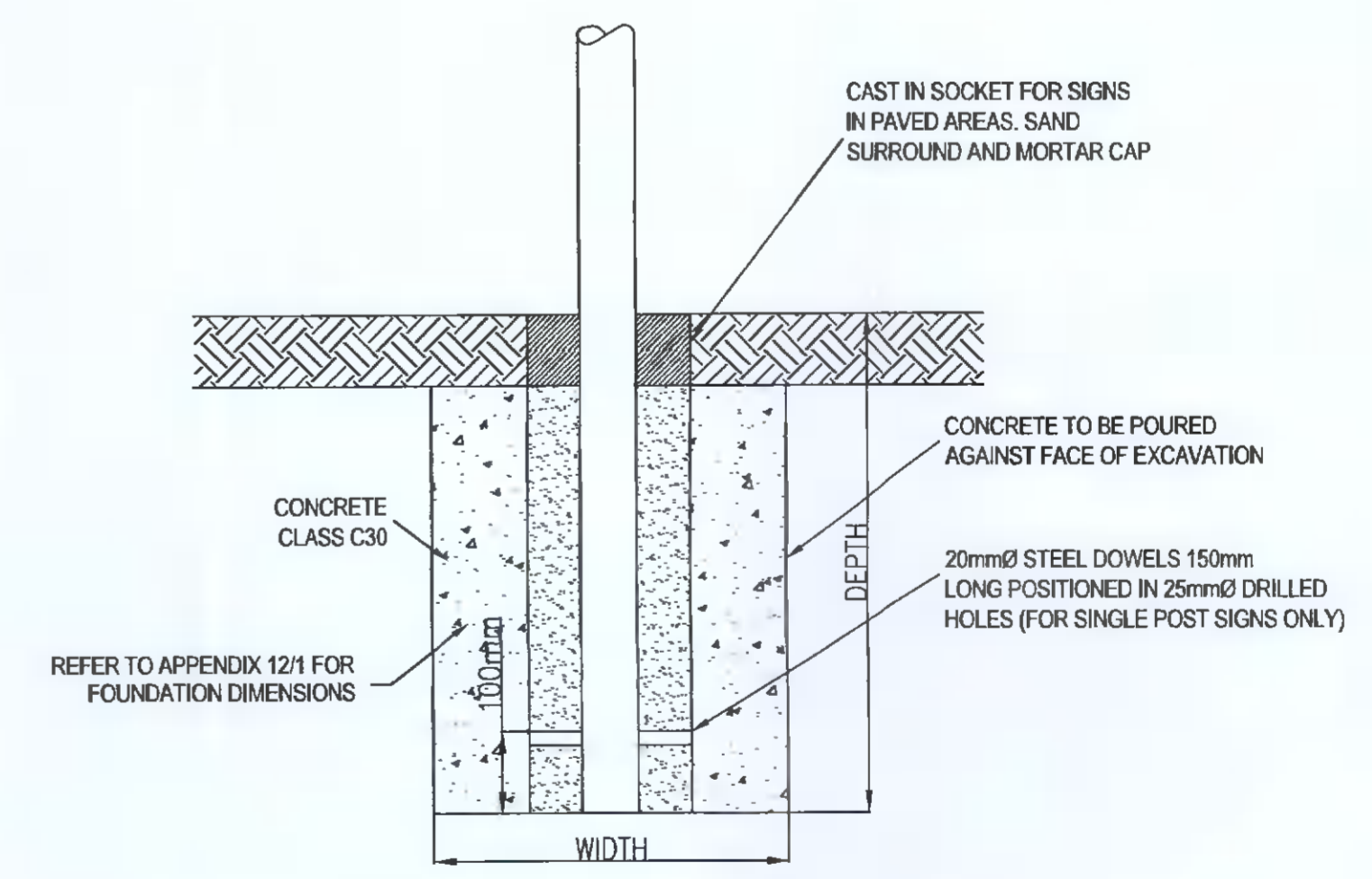
2 TYPICAL DETAIL FOR SIGN MOUNTING
CANTILEVERED SIGN POST



3 TYPICAL WARNING / REGULATORY SIGN POST ARRANGEMENT



4 TYPICAL WARNING / REGULATORY SIGN POST ARRANGEMENT
CANTILEVERED SIGN POST



5 TYPICAL FOUNDATION DETAIL FOR SIGN POSTS
IN PAVED AREAS

File: 5150924_HTR_08_DR_0108.dwg
Date: Apr 08, 2022 - 11:08am
Plotted by: jpmaccho

© ORDNANCE SURVEY IRELAND LICENSE NR. AR 008252. ORDNANCE SURVEY IRELAND & GOVERNMENT OF IRELAND
ATKINS WILL NOT BE HELD LIABLE FOR THE USE OF THIS DATA ON ANY PROJECT OTHER THAN THE PROJECT.

Risk Level	Atkins Base Line - Low Risk
	Atkins Sensitive - Medium Risk
	Atkins Private - High Risk
	Client Critical - Already Marked

Rev	Description	By	Date	Chk'd	Rev'd	Auth
A	PLANNING	YC	28.03.22	PF		KB
-	FOR PLANNING	YC	21.10.21	PF		KB

ATKINS
Member of the SNC-Lavalin Group

Atkins House, 150-155 Airside
Business Park, Swords, Co. Dublin
Tel (+353) 01 810 8000
Fax (+353) 01 810 8001

Unit 2B, 2200 Cork Airport
Business Park, Cork
Tel (+353) 021 429 0300
Fax (+353) 021 429 0360

1st Floor Technology House
Parkmore Technology Park, Galway
Tel (+353) 091 786 050
Fax (+353) 091 779 630

Client	QUINTAIN DEVELOPMENTS IRELAND LTD
Project	ADAMSTOWN DISCTRIC CENTRE PHASE 3

Purpose	PLANNING
Title	TABLE TOP RAMP TYPICAL DETAILS
Original Scale	1:500 at A1
Drawn	YC
Checked	YC
Reviewed	PF
Authorised	KB
Date	21.10.21
Date	21.10.21
Date	21.10.21
Date	21.10.21
Status	P
Drawing Number	5150924 / HTR / 08 / DR / 0108
Rev	A