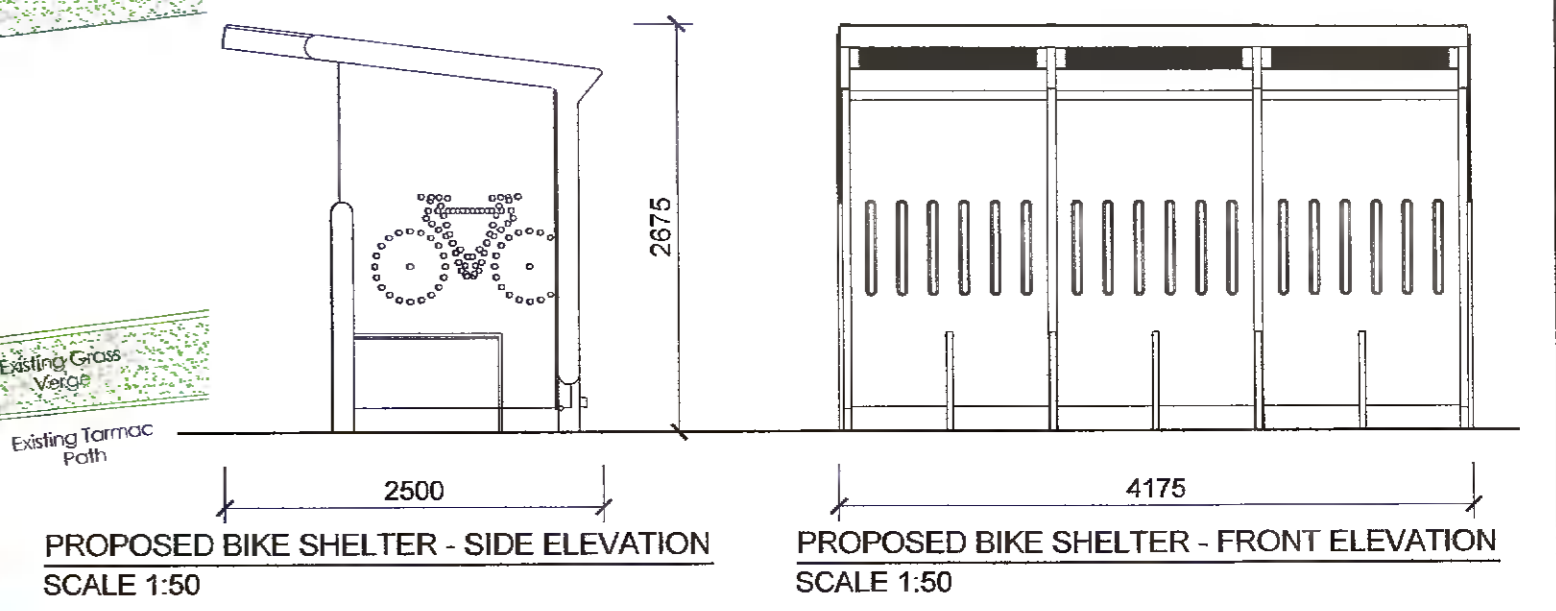


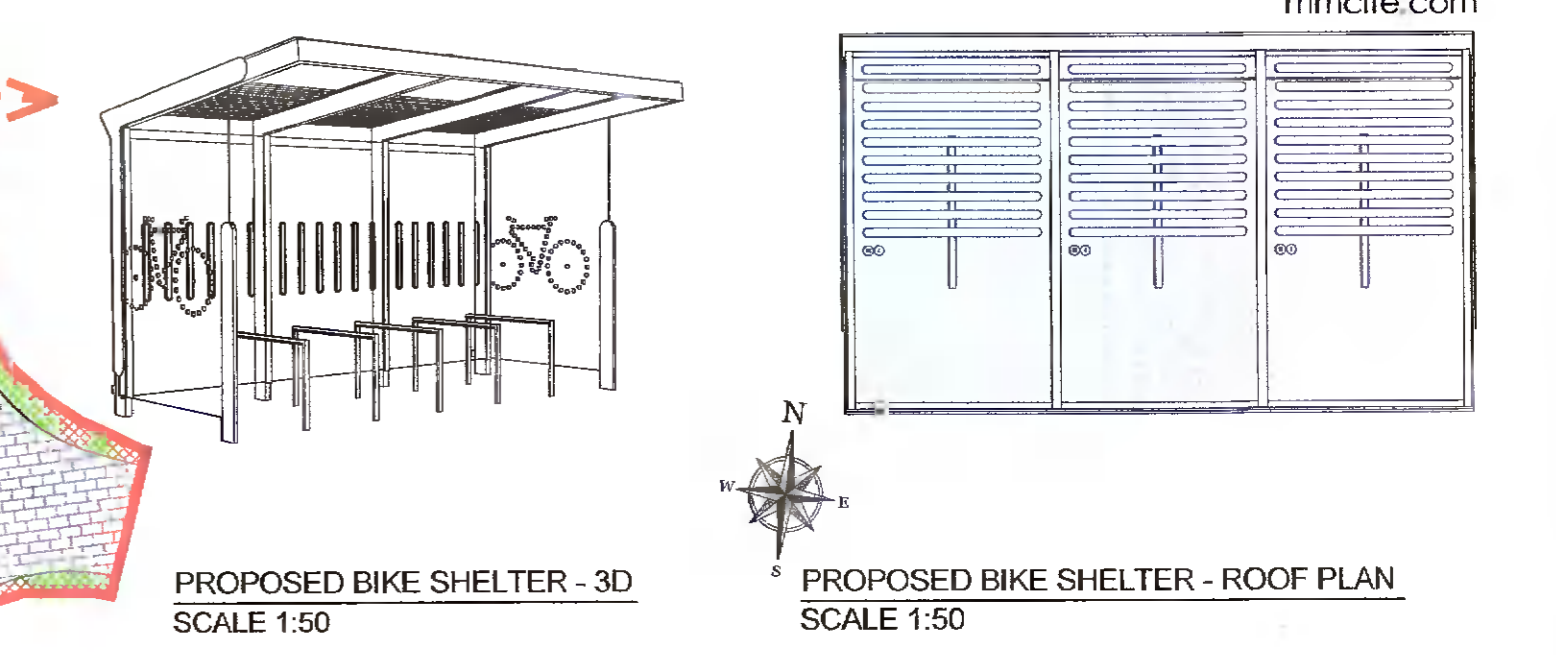
GENERAL NOTES:  
 \*\* Do not scale from this drawing  
 \*\* Use figured dimensions only  
 © This drawing is copyright. No part of this document may be reproduced or transmitted in any form or by any retrieval system from the copyright holder, except as agreed for use on a project, for which the document was originally issued.



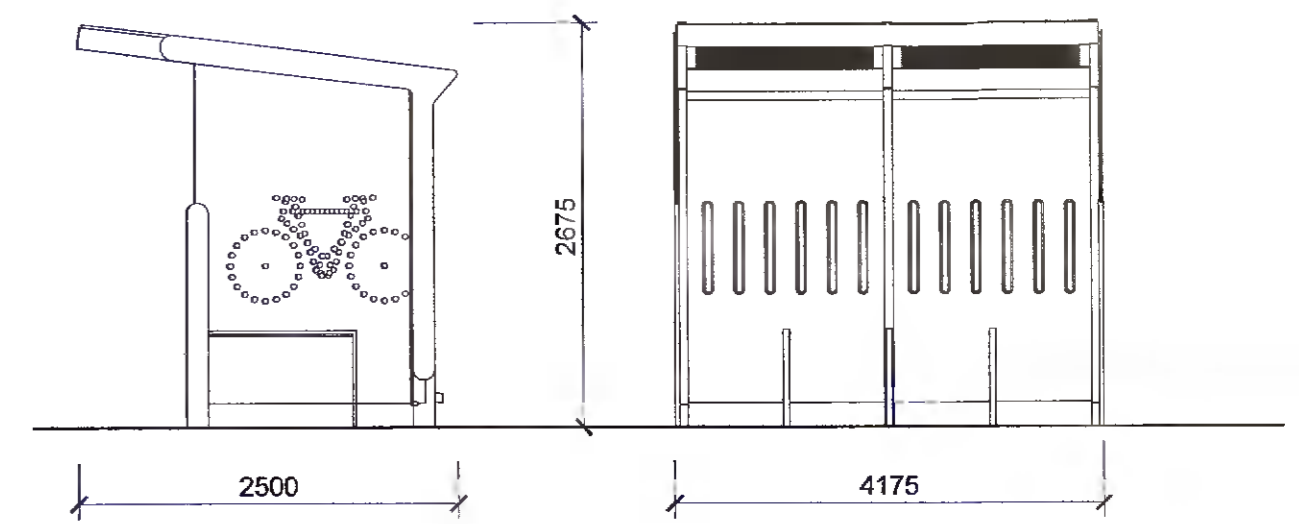
PROPOSED SITE LAYOUT - GROUND FLOOR PLAN  
 SCALE 1:200



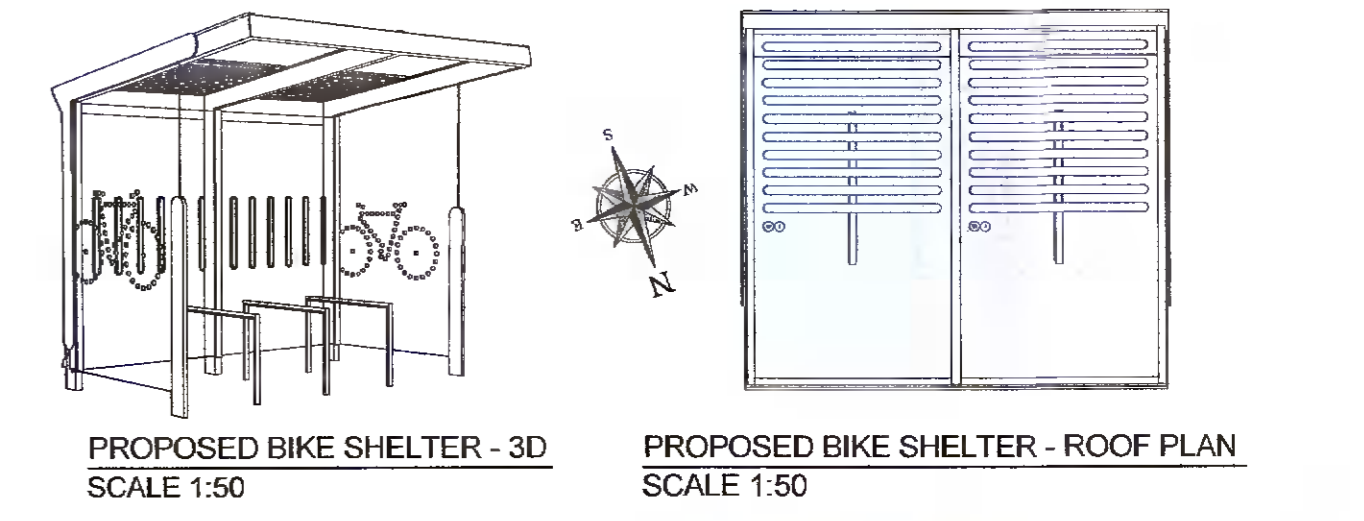
PROPOSED BIKE SHELTER - SIDE ELEVATION SCALE 1:50  
 PROPOSED BIKE SHELTER - FRONT ELEVATION SCALE 1:50



PROPOSED BIKE SHELTER - 3D SCALE 1:50  
 PROPOSED BIKE SHELTER - ROOF PLAN SCALE 1:50



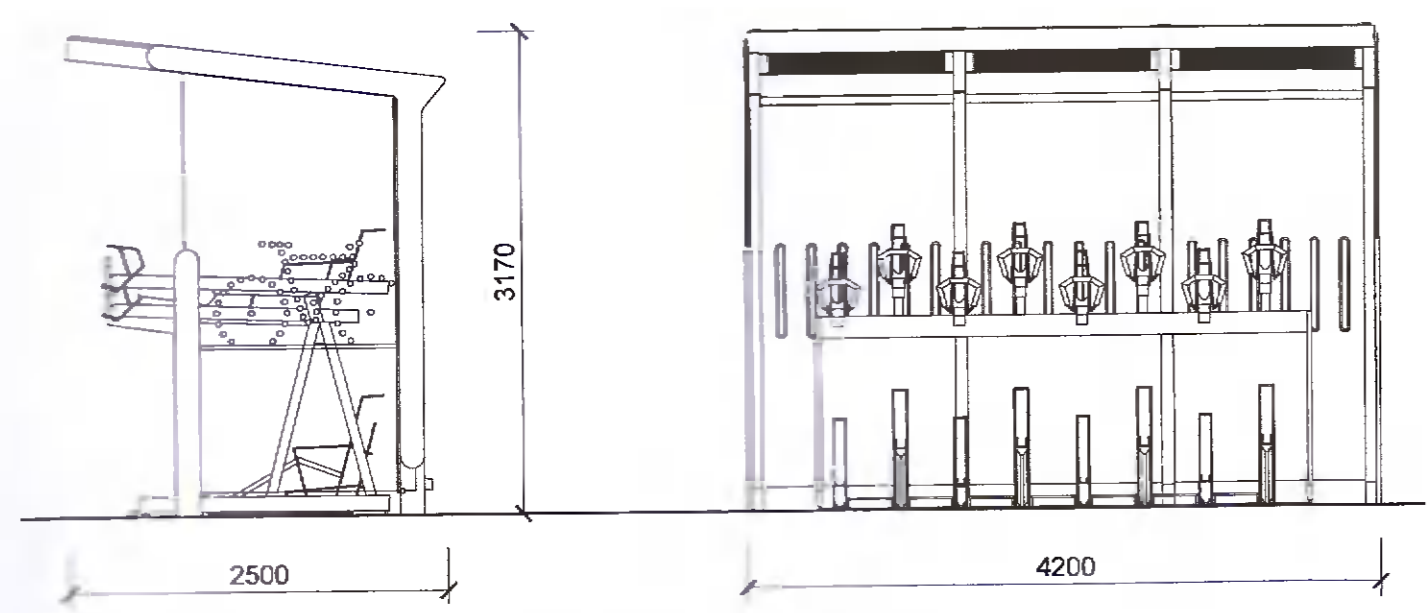
PROPOSED BIKE SHELTER - SIDE ELEVATION SCALE 1:50  
 PROPOSED BIKE SHELTER - FRONT ELEVATION SCALE 1:50



PROPOSED BIKE SHELTER - 3D SCALE 1:50  
 PROPOSED BIKE SHELTER - ROOF PLAN SCALE 1:50

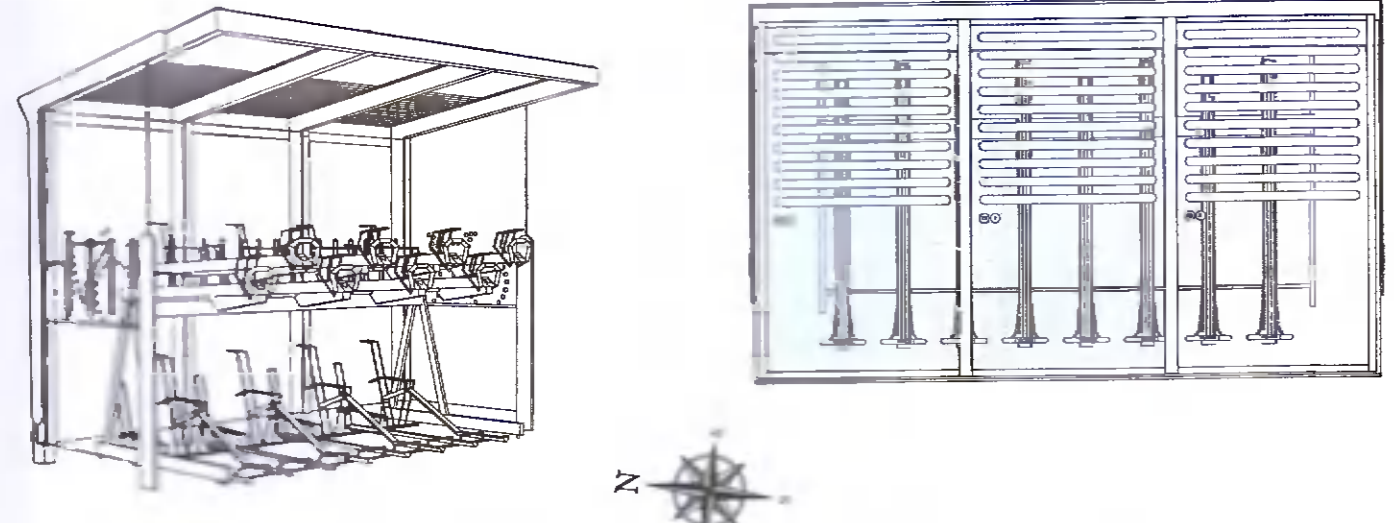


Reference: Aureo Vero mmcite.com



PROPOSED BIKE SHELTER - SIDE ELEVATION SCALE 1:50  
 PROPOSED BIKE SHELTER - FRONT ELEVATION SCALE 1:50

reference: AE-V360-02-SS-AUREO VELO mmcite.com



PROPOSED BIKE SHELTER - 3D SCALE 1:50  
 PROPOSED BIKE SHELTER - ROOF PLAN SCALE 1:50



PROPOSED BICYCLES RACK Reference: Josta® 2-tier High Capacity Rack

**TOTAL BICYCLES SPACES No. 128**  
**No. 96 - BIKE SPACES INSIDE THE BUILDING FOR RESIDENTS**  
**No. 32 - BIKE SPACES PROVIDED IN PUBLIC SPACE ( 32 SHELTERED)**

| Rev | Initial | Date | Revision Description |
|-----|---------|------|----------------------|
|     |         |      |                      |
|     |         |      |                      |

|               |  |  |               |
|---------------|--|--|---------------|
| <b>DCWNEY</b> |  | 29 Anson Square,<br>DOORVA<br>+353 (0)1 233 0290<br>info@dcwney.ie |               |
| CLIENT        | HOLLYVILLE INVESTMENTS LTD   | SCALE @ A1   | PAPER SIZE A1 |
| PROJECT       | PROPOSED MIXED-USE SCHEME, SILVER GRANITE SITE, PALMERSTOWN, DUBLIN 20 | DESIGNED BY: PM  | J55 MO        |
| DWG TITLE     | PROPOSED BIKE SHELTER & BIKE OUTDOOR                                   | CHECKED BY: SW   | 525 001       |
|               |  | DATE   | 19/04/2022    |
|               |  | REVISION   | A1-004        |