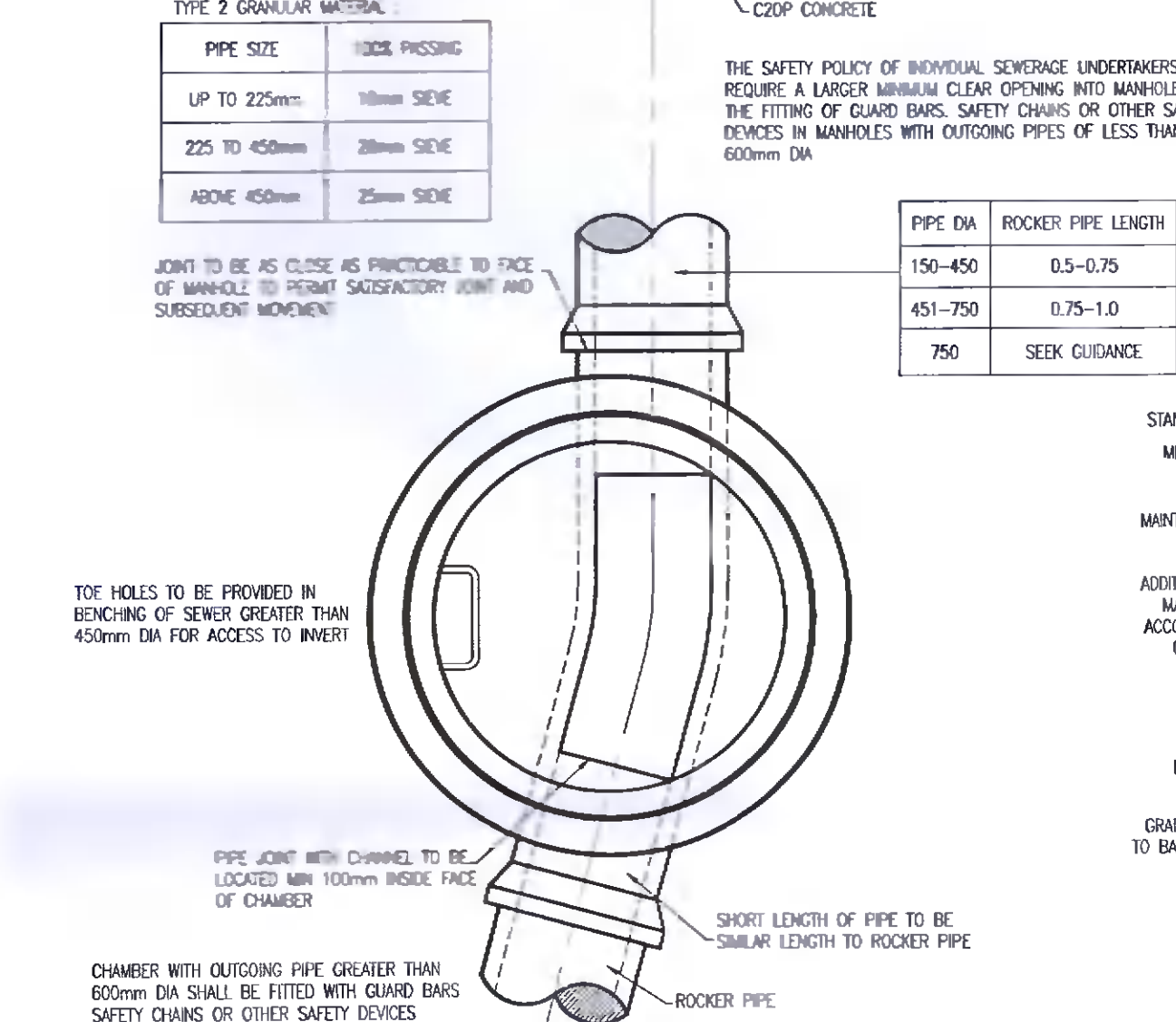


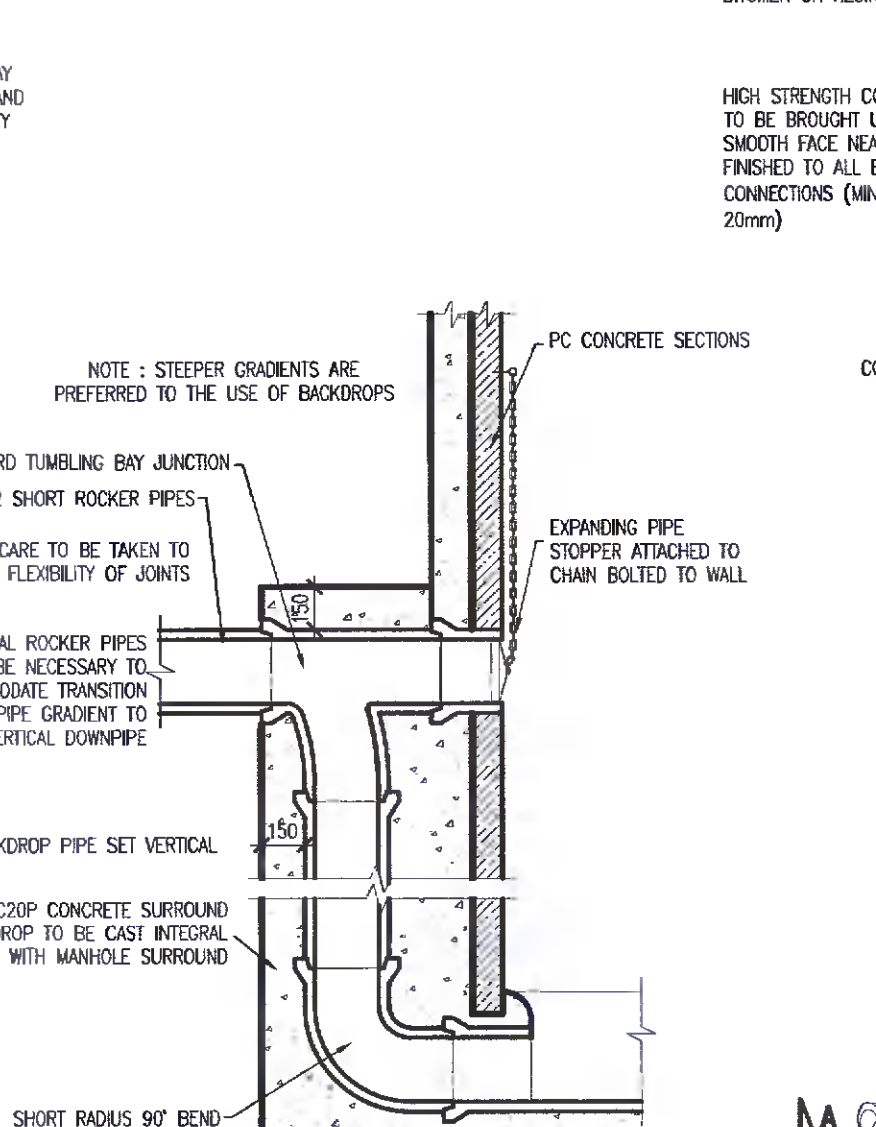
NOTE: ALL CONCRETE TO BE SULPHATE RESISTANT

DIAMETER OF LARGEST PIPE IN MANHOLE (mm)	CHAMBER SECTION DIAMETER (mm)
LESS THAN 375	1200 (1050 WHERE DEPTH TO SOFFIT IS 1.35m - 1.5m)
375 - 450	1350
450 - 700	1500
750 - 900	1800

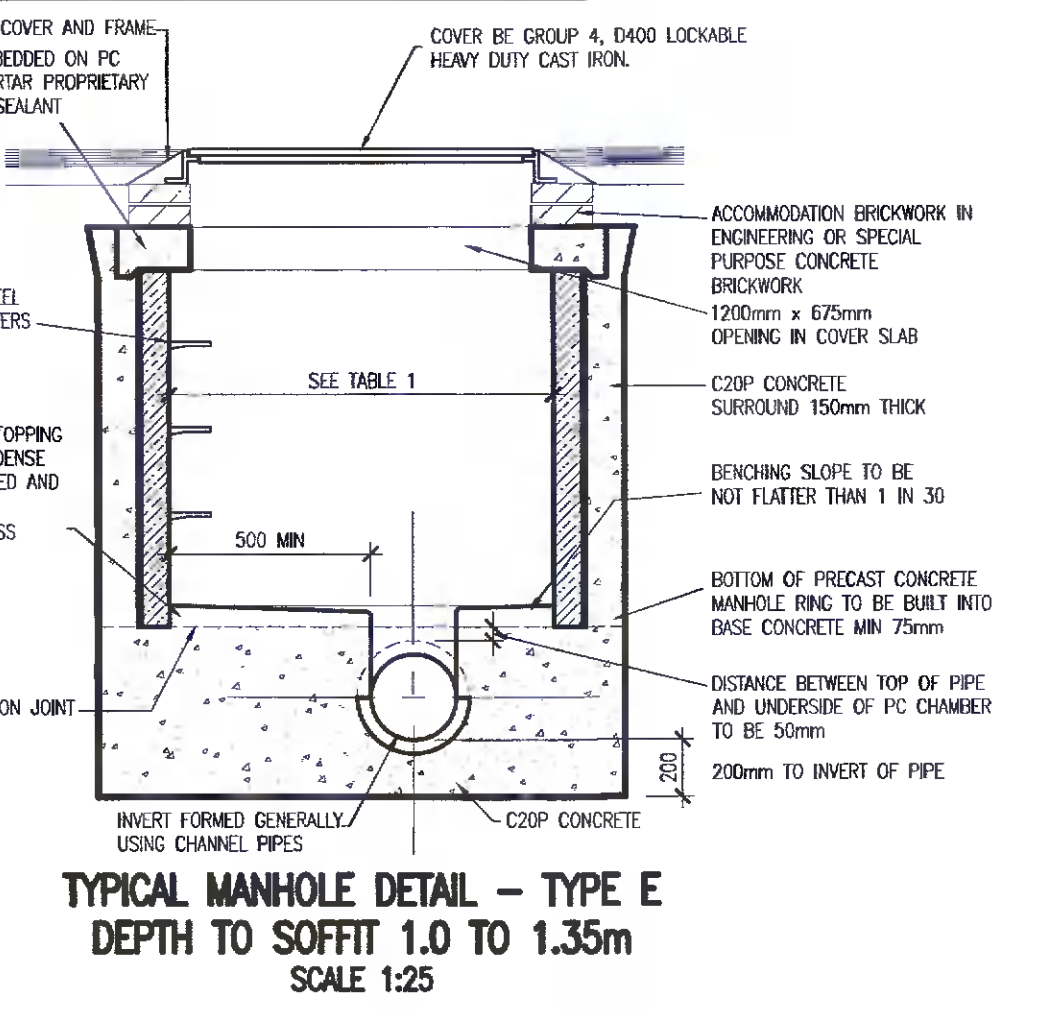
TABLE 1



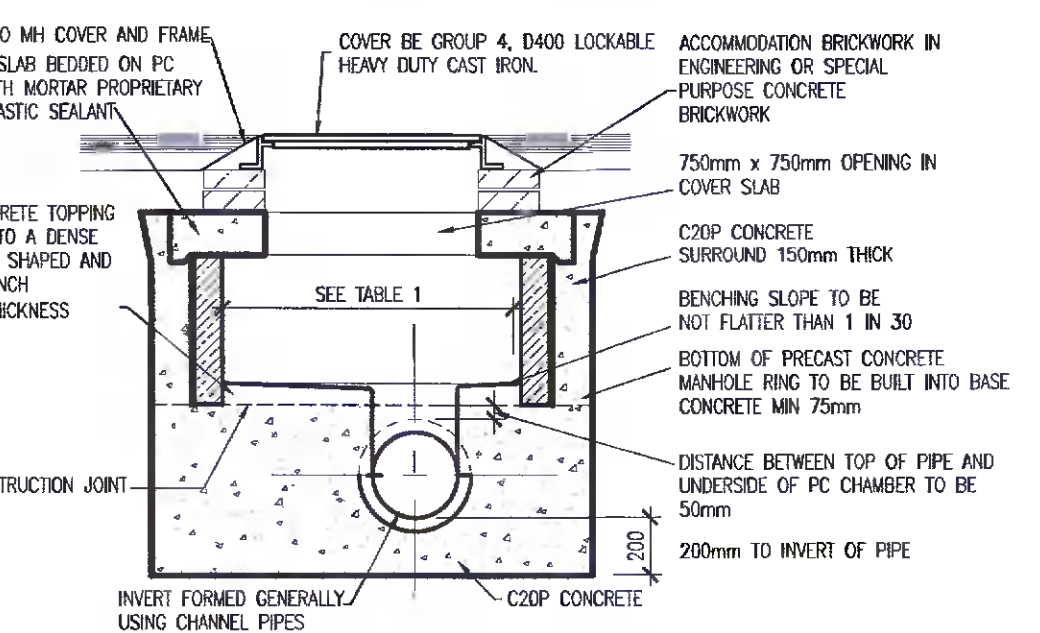
TYPICAL MANHOLE DETAIL - TYPE B
DEPTH TO SOFFIT 1.35 TO 3m
SCALE 1:25



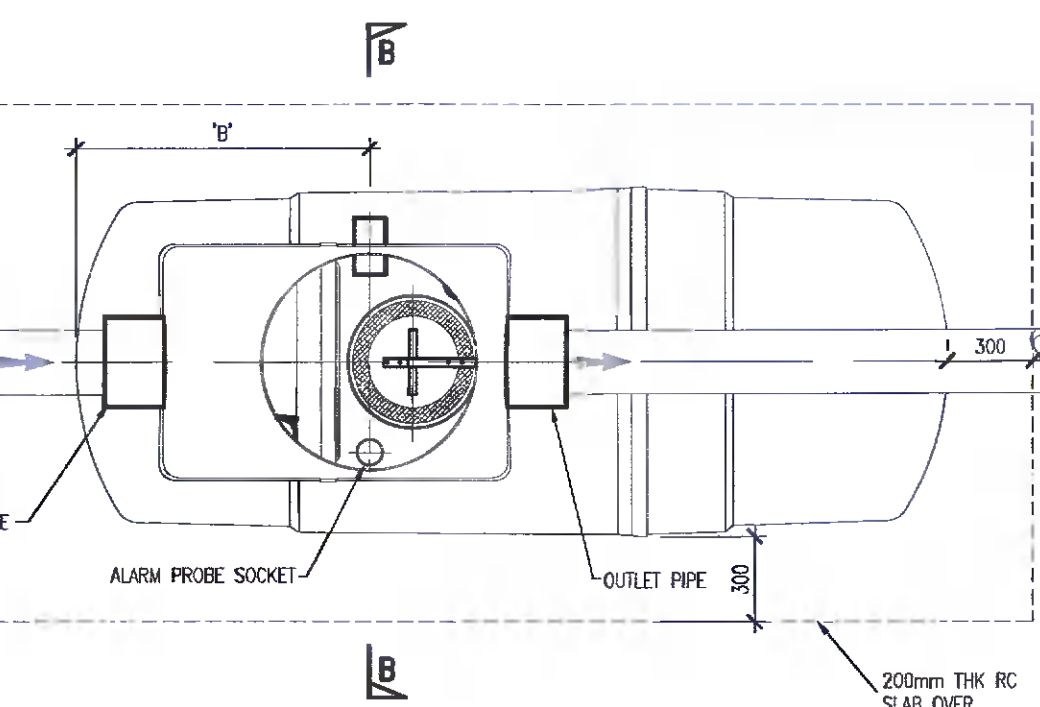
TYPICAL VERTICAL BACKDROP DETAIL
SCALE 1:25



TYPICAL MANHOLE DETAIL - TYPE E
DEPTH TO SOFFIT 1.0 TO 1.35m
SCALE 1:25

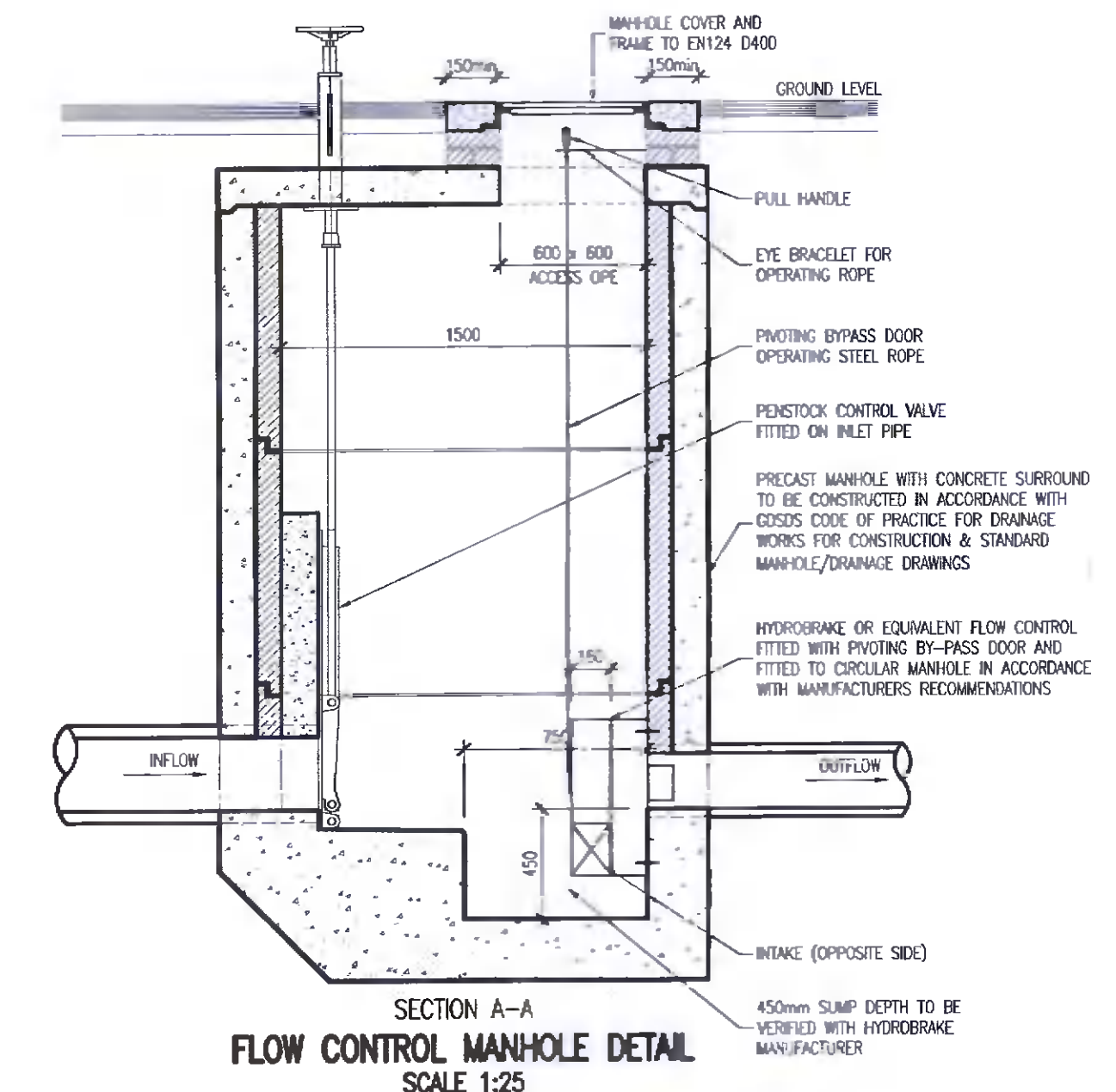


TYPICAL MANHOLE DETAIL - TYPE F
DEPTH TO SOFFIT LESS THAN 1.0m
SCALE 1:25

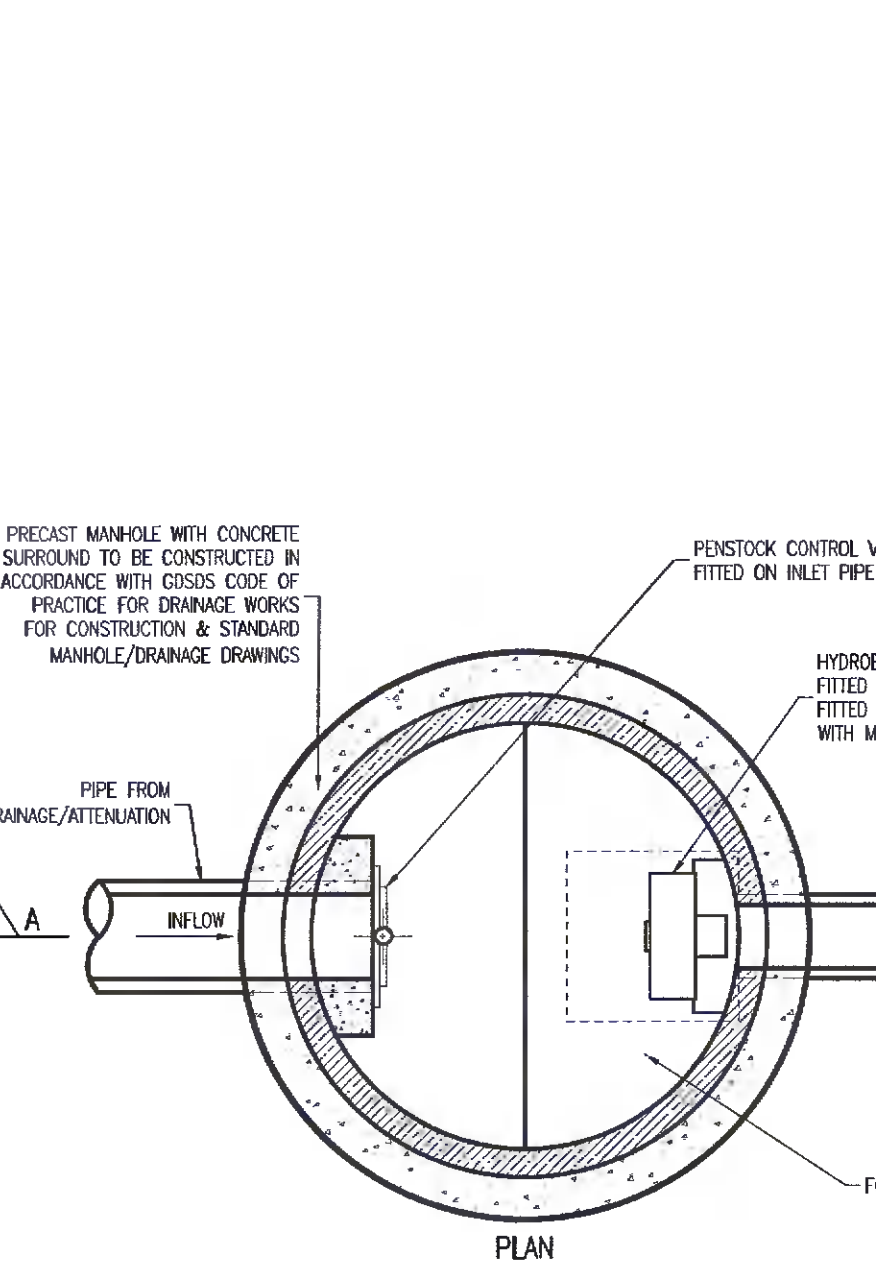


LIMIT REF. No.	NOMINAL FLOW	DN 'A'	DN 'B'	STD. PIPE	APPROX. EMPTY WEIGHT (kg)		FALL ACROSS UNIT
					150	200	
NSR0003	3 L/S	1765	850	160	145	100	
NSR0004	4.5 L/S	1765	850	200	160	100	
NSR0006	6 L/S	1765	850	200	160	100	
NSR0008	8 L/S	3065	1560	250	210	100	
NSR0010	10 L/S	3065	1560	315	210	100	
NSR0012	12 L/S	3915	1560	315	240	100	
NSR0015	15 L/S	3915	1560	315	240	100	

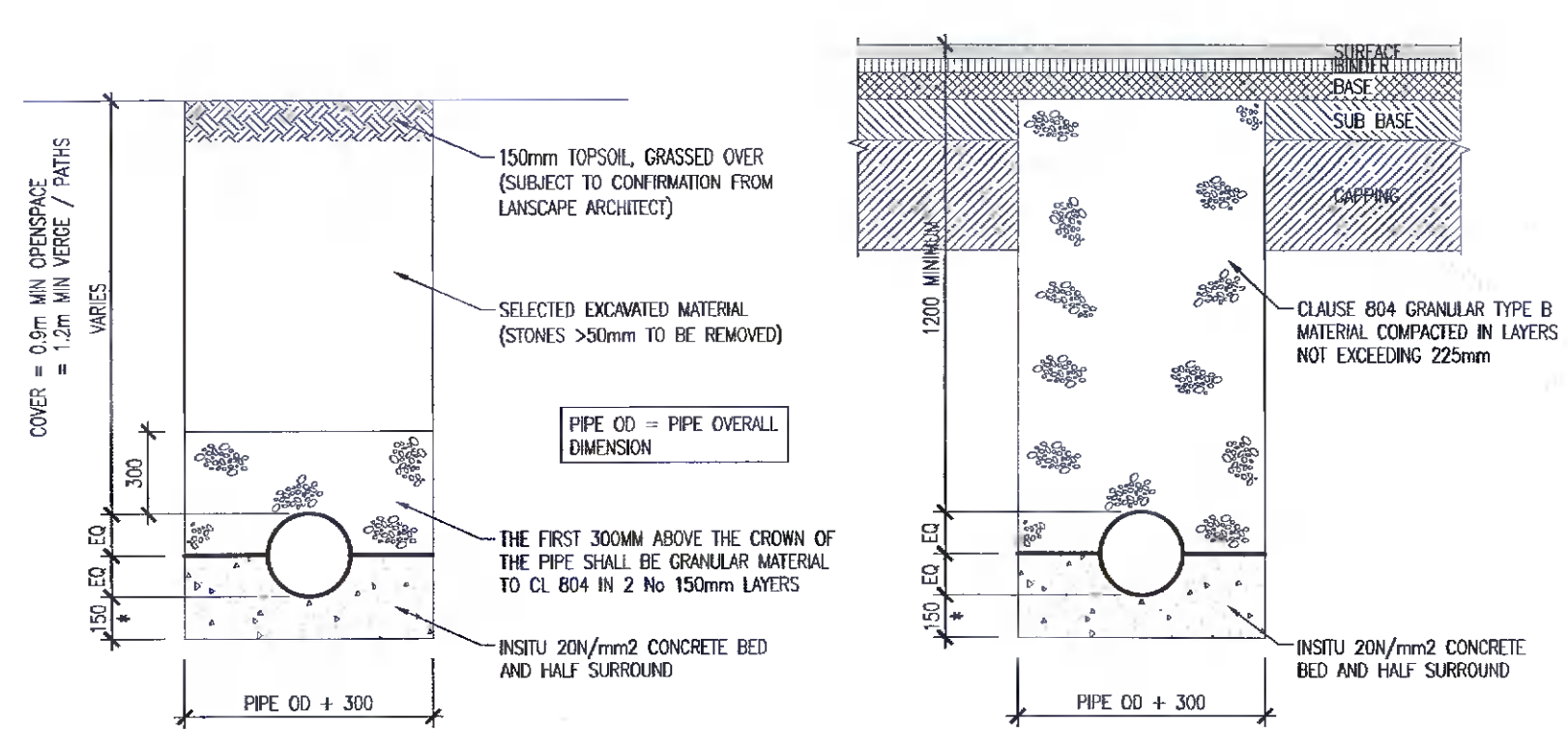
PETROL INTERCEPTOR
SCALE 1:25



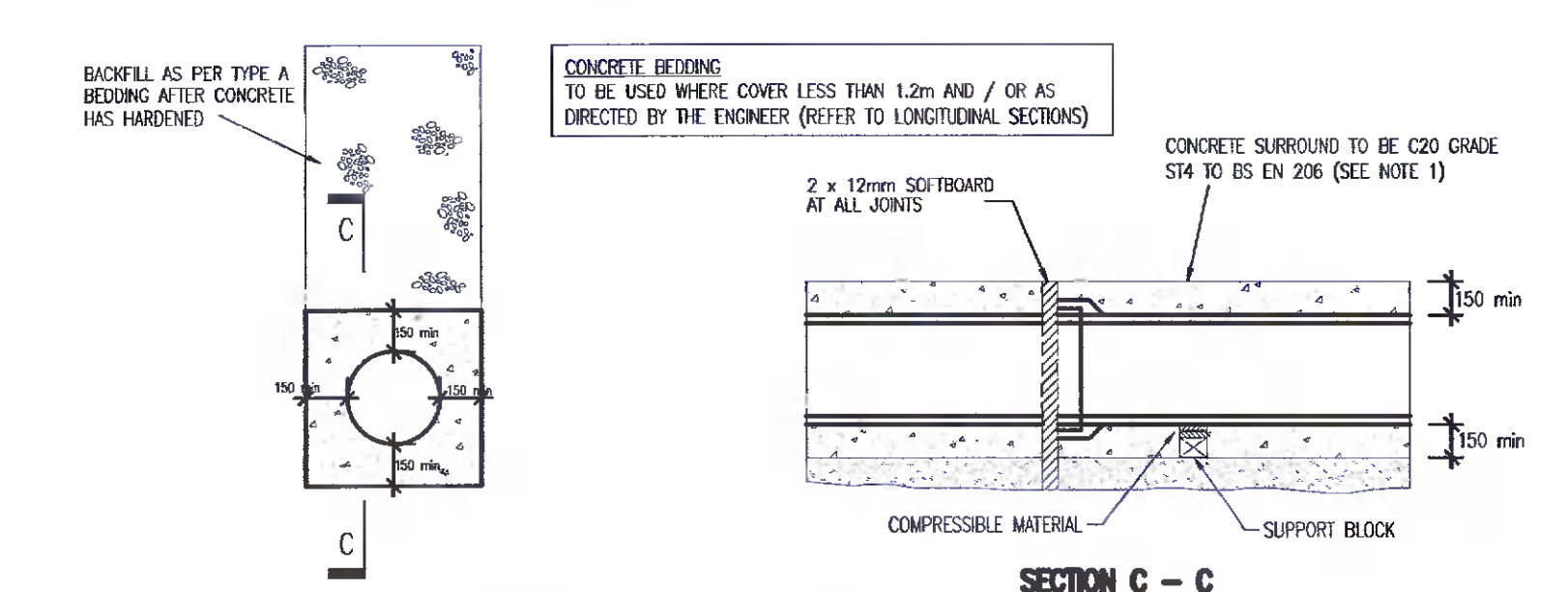
SECTION A-A
FLOW CONTROL MANHOLE DETAIL
SCALE 1:25



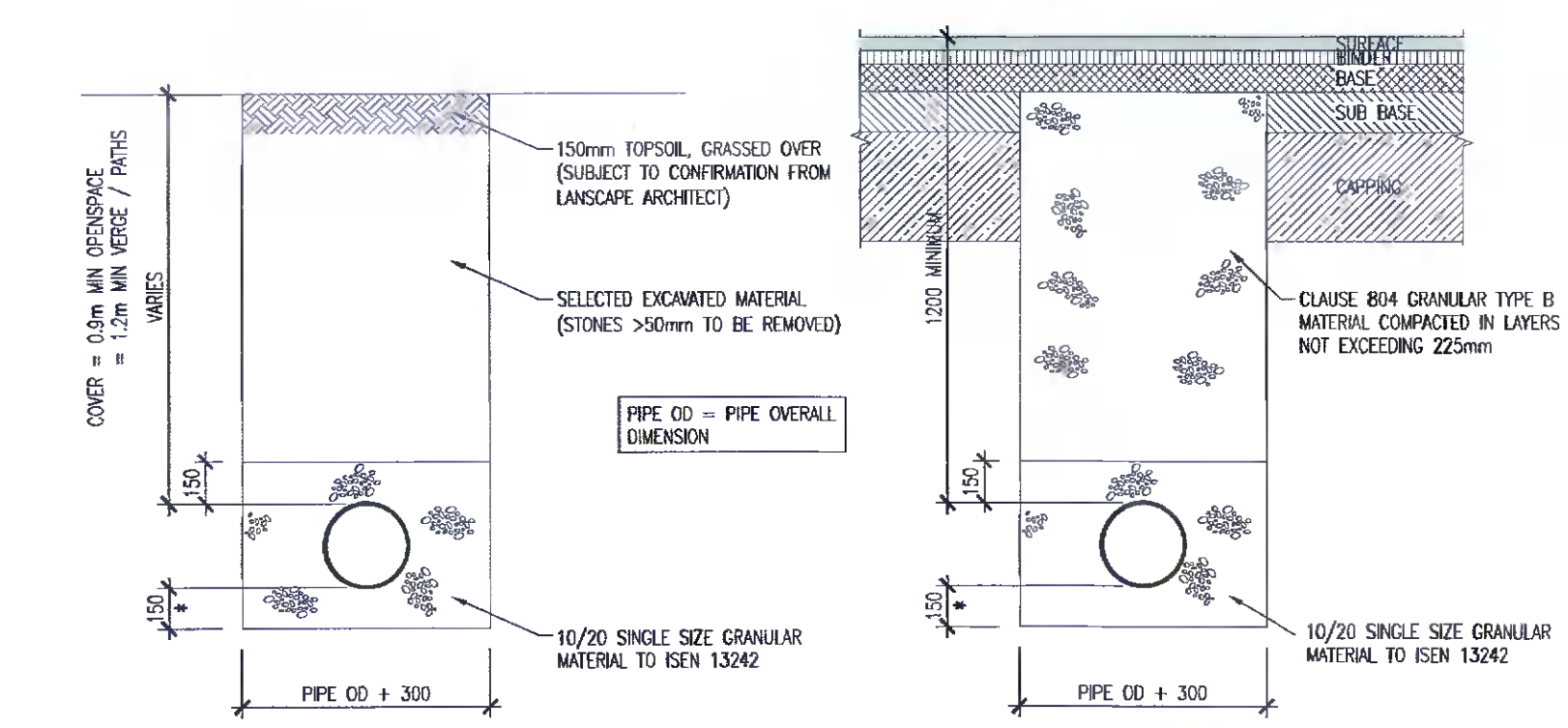
PLAN



A - BEDDING DETAIL ACROSS OPENSAPCE (SIMILAR)
TYPE A
(COVER > 1.2 METRES TO CROWN, RIGID PIPES)
SCALE 1:25



RIGID PIPES : SURROUND
TYPE Z
CONCRETE BEDDING/SURROUND (COVER 750mm - 1200mm)
SCALE 1:25



A - BEDDING DETAIL ACROSS OPENSAPCE (SIMILAR)
TYPE S
(COVER > 1.2 METRES TO CROWN, FLEXIBLE PIPES)
SCALE 1:25

- NOTES
- ALL WORKS TO COMPLY WITH THE CURRENT BUILDING REGULATIONS, WATER BYELAWS AND LOCAL AUTHORITY REQUIREMENTS.
 - ALL SEWERS SHALL BE PRESSURE TESTED PRIOR TO BACKFILLING.
 - TYPE 1 GRANULAR MATERIAL : BROKEN STONE OR GRAVEL TO PASS 10mm SIEVE AND BE RETAINED ON 5mm SIEVE.
 - TYPE 2 GRANULAR MATERIAL : BROKEN STONE OR GRAVEL TO PASS 10mm - 25mm SIEVE, ACCORDING TO PIPE SIZE, (SEE TABLE) AND BE RETAINED ON 5mm SIEVE.
 - TYPE 3 SELECTED FILL : UNIFORM READILY COMPACTED MATERIAL FREE FROM TREE ROOTS, VEGETABLE MATTER, BUILDING DEBRIS, AND FROZEN SOIL, AND EXCLUDING CLAY LUMPS RETAINED ON A 75mm SIEVE AND STONES RETAINED ON A 37.5mm SIEVE.
 - RIGID PIPES SHALL MEAN CAST OR SPUN IRON, CONCRETE OR CLAY.

LIST OF IRISH WATER WASTEWATER STANDARD DETAILS BROUGHT INTO THE CONTRACT

STD-WW-02	TYPICAL LAYOUT FOR SEWER WITHIN NEW DEVELOPMENT
STD-WW-03	DRAIN AND SERVICE CONNECTION PIPEWORK
STD-WW-04	TYPICAL SEWER/SERVICE PIPE CONNECTION
STD-WW-05	TYPICAL SERVICE LAYOUT INDICATING SEPARATION DISTANCES
STD-WW-06	RESTRICTIONS ON TREES/SHRUBS PLANTING ADJACENT TO SEWERS
STD-WW-07	TRENCH BACKFILL & BEDDING
STD-WW-08	CONCRETE BED, HAUNCH & SURROUND TO WASTEWATER PIPES
STD-WW-09	BLOCKWORK MANHOLE (<430mm)
STD-WW-10	PRE-CAST CONCRETE MANHOLE
STD-WW-11	IN-SITU CONCRETE MANHOLE
STD-WW-12	BACKDROP MANHOLES
STD-WW-13	PRIVATE SIDE INSPECTION CHAMBER
STD-WW-14	THRUST BLOCKS FOR RISING MAINS
STD-WW-15	SCOUR VALVE CHAMBER (FOUL RISING MAIN <200mm)
STD-WW-16	SLUICE VALVE DETAILS FOR RISING MAINS DUCTILE IRON (D.I.) PIPE (<200mm)(SHEET 1 OF 2)
STD-WW-17	SLUICE VALVE DETAILS FOR RISING MAIN POLYETHYLENE (P.E.) PIPE (<200mm)(SHEET 2 OF 2)
STD-WW-18	AIR VALVE CHAMBER (FOUL RISING MAIN <200mm)
STD-WW-19	DUCT CHAMBER
STD-WW-20	EMERGENCY OVERFLOW STRUCTURE
STD-WW-21	TYPICAL DITCH/STREAM CROSSING FOR GRAVITY MAIN (SHEET 1 OF 2)
STD-WW-22	TYPICAL DITCH/STREAM CROSSING FOR RISING MAIN (SHEET 2 OF 2)
STD-WW-23	TYPICAL BRIDGE CROSSING FOR RISING MAIN (SHEET 1 OF 2)
STD-WW-24	TYPICAL BRIDGE CROSSING FOR RISING MAIN (SHEET 2 OF 2)
STD-WW-25	SECURITY GATE & FENCING
STD-WW-26	INDICATIVE PUMPING STATION LAYOUT
STD-WW-27	FLOW METER CHAMBER (FOUL RISING MAIN <200mm)
STD-WW-28	INDICATIVE SUBMERSIBLE PUMPING STATION
STD-WW-28A	INDICATIVE PRE-CAST CONCRETE SUBMERSIBLE PUMPING STATION
STD-WW-29	RISING MAIN DISCHARGE MANHOLE
STD-WW-30	KIOSK TYPE 1 PUMPING STATION & WET KIOSK (SHEET 1 OF 2)
STD-WW-31	KIOSK TYPE 2 & 3 PUMPING STATION & WET KIOSK (SHEET 2 OF 2)
STD-WW-32	HARDSTANDING AREA PUMPING STATION (PERMEABLE & IMPERMEABLE)
STD-WW-33	LAMP BOLLARD & LAMP STANDARD
STD-WW-34	VENT STACK

P1	20/04/22	ISSUED FOR PLANNING	SM	SJ
P	02/09/21	ISSUED FOR PLANNING	SM	SJ
Rev	Date	Description	By	CHK

PLANNING

gdcl
CONSULTING ENGINEERS

Scope House, Friary Street, Dublin D12 KBPP
www.gdclconsulting.com

75 Shelton Street, Covent Garden, London WC2H 9JQ

PROJECT
Silver Granite, Palmerstown

CLIENT
Hollyville Investments Ltd.

DRAWING TITLE
Typical Construction Details Sheet 2

dm. by:	SM	date:	APR21	scale:	As Shown
drawing size:	A1	chk:	SJ	app:	GD
job no:		drg. no:		rev:	
	P-2012		P-2012-C-107		P1

NOT FOR CONSTRUCTION