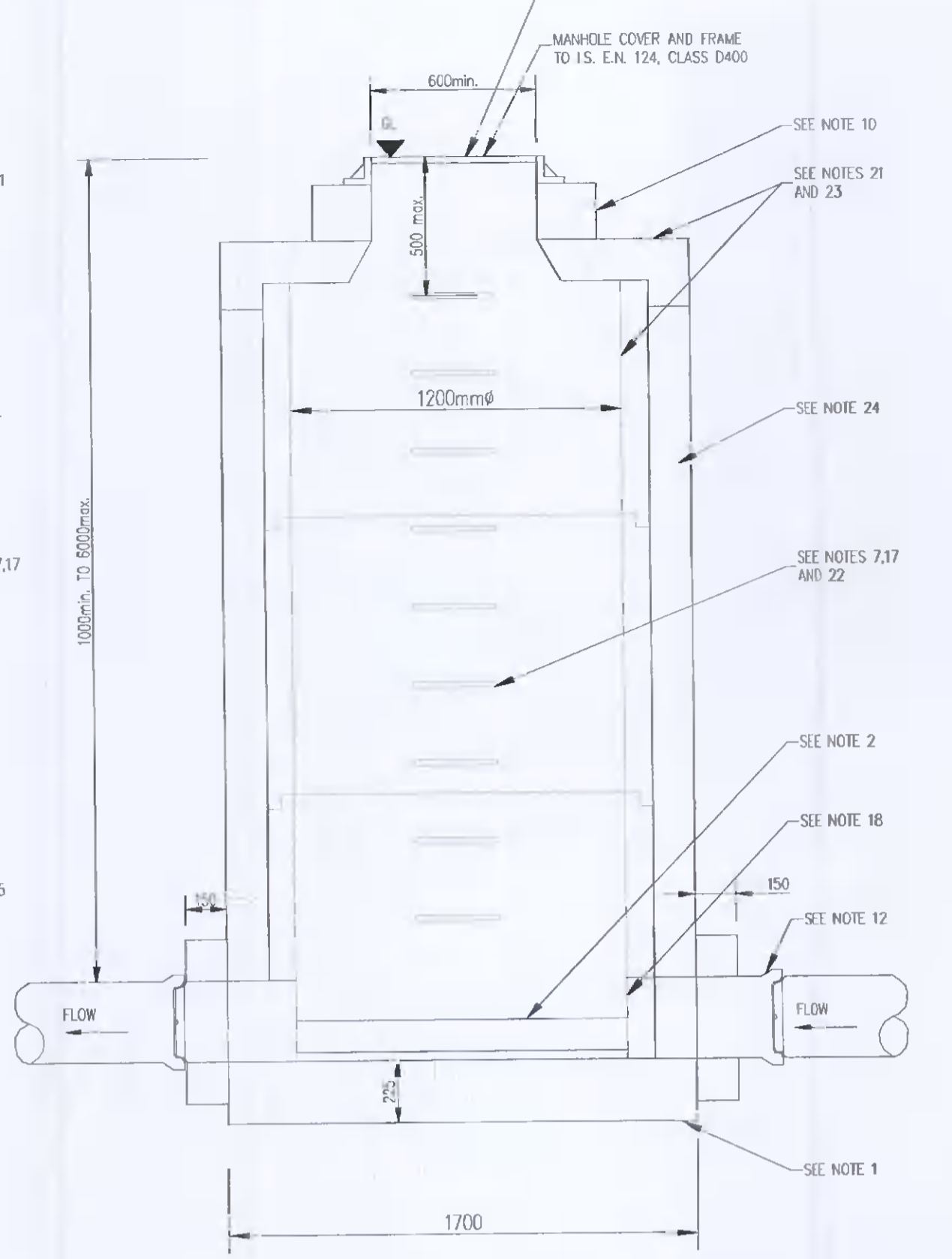
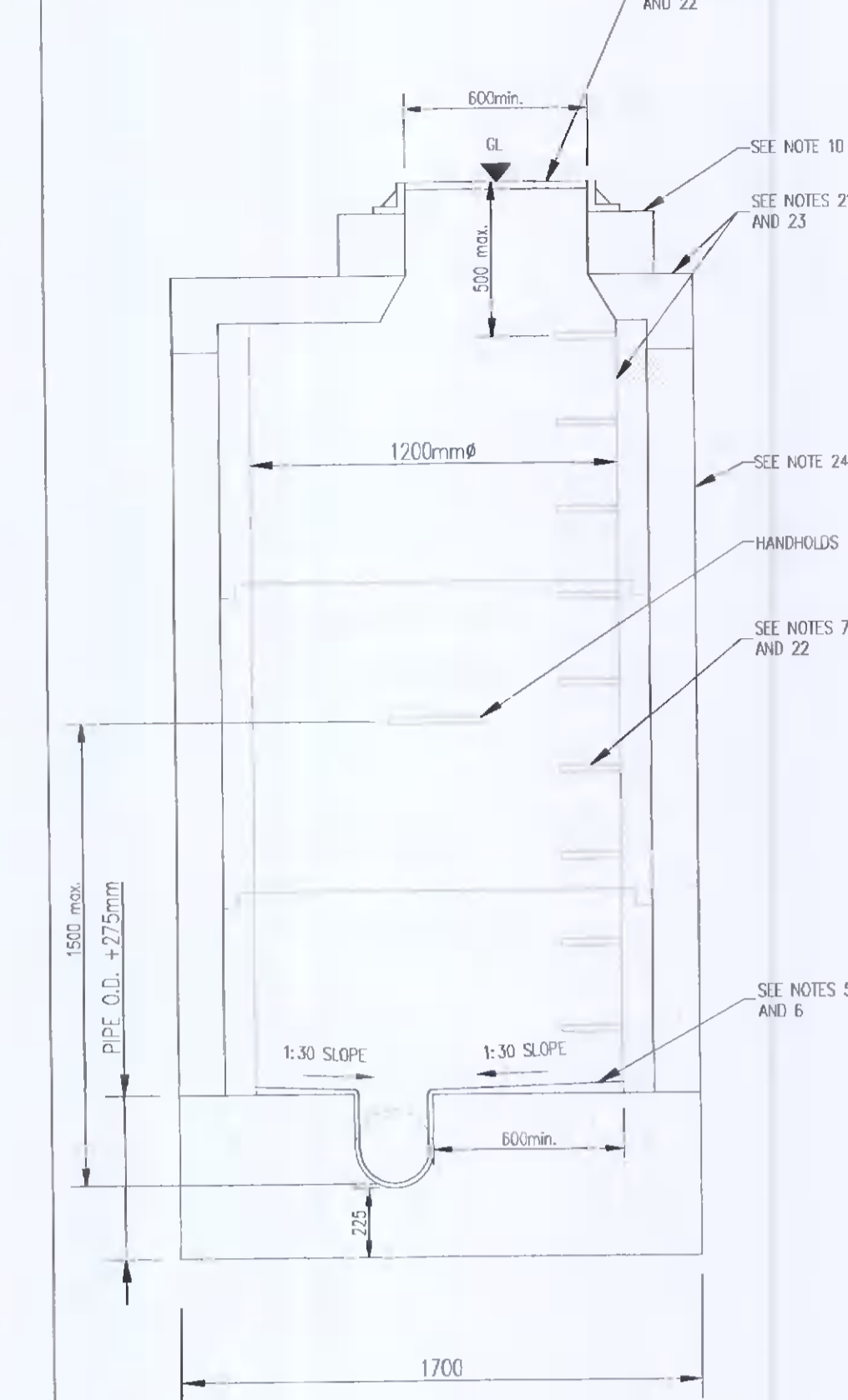
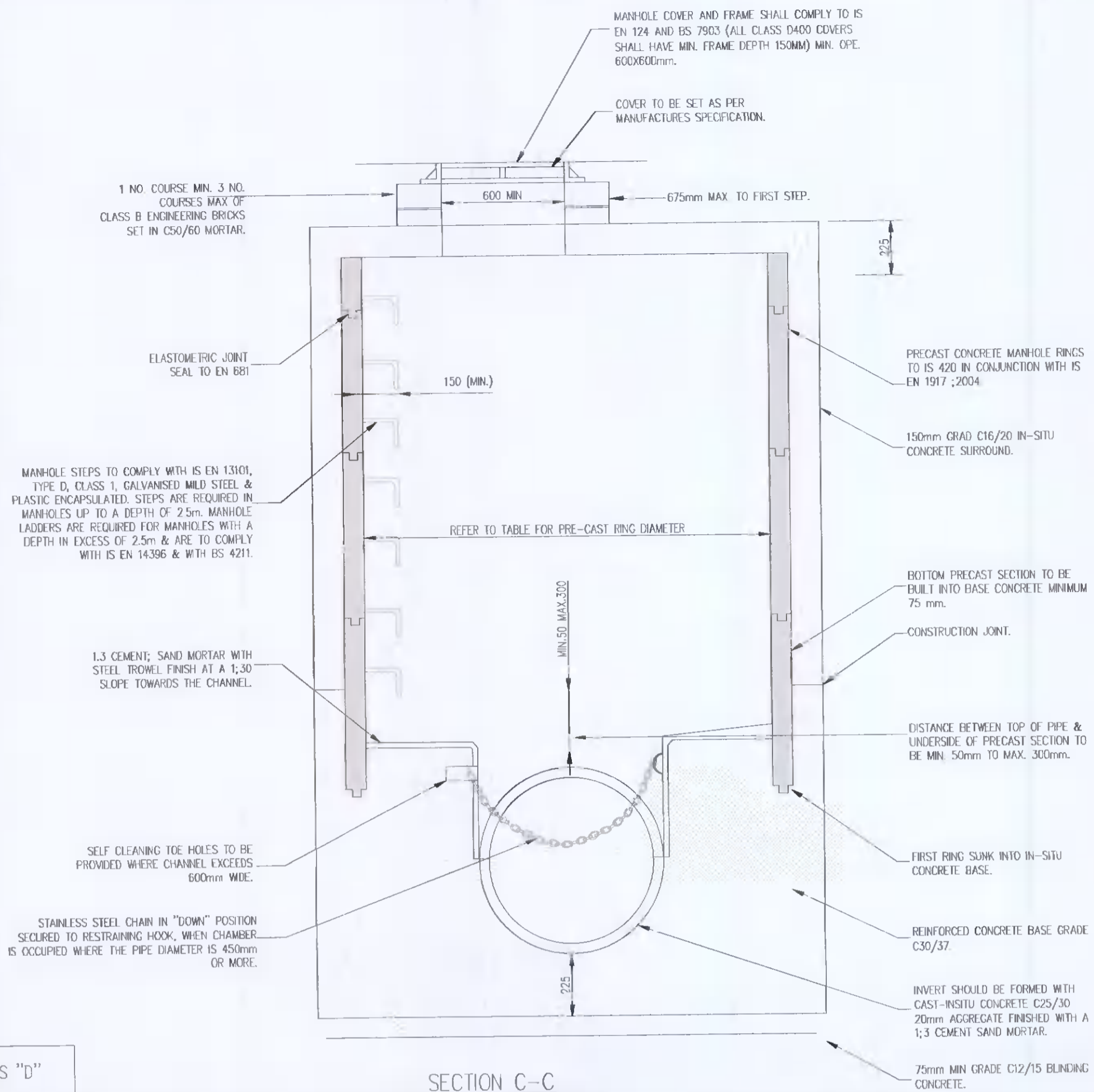


NOTES:
 PRECAST CONCRETE MANHOLE (450mm DIA)
 STD-WW-10

- ALL DIMENSIONS ARE IN MILLIMETERS (mm) UNLESS NOTED OTHERWISE.
- PRECAST MANHOLE UNITS, COMPLYING WITH REQUIREMENTS OF IS EN 1917 AND BS 5911-PART 3.
- THICKER MANHOLE BASE REQUIRED FOR SEWERS IN EXCESS OF 3m DEEP WHERE THE SIZE IS GREATER THAN THE STANDARD MINIMUM SIZE.
- APPROVED PRE-CAST CONCRETE BASES MAY BE USED INCORPORATING CHANNELS, BENCHING ETC. SUBJECT TO IRISH WATER APPROVAL AND COMPLYING WITH BS 5911-PART 4:2002.
- STRUCTURAL DESIGN AND REINFORCEMENT DETAILS TO BE PROVIDED BY THE DEVELOPER AND SUBMITTED TO IRISH WATER FOR REVIEW.
- MANHOLES GREATER THAN 3m IN DEPTH WILL REQUIRE A DETAILED STRUCTURAL DESIGN AND BE SUBJECT TO IRISH WATER APPROVAL.
- MANHOLE ROOFS SHOULD CONSIST OF RE-INFORCED CONCRETE SLAB OF IN-SITU CONCRETE, C30/37, WITH A MINIMUM THICKNESS OF 225mm DESIGNED TO CARRY ALL LIVE AND DEAD LOADS, ALTERNATIVELY APPROVED PRE-CAST CONCRETE ROOF SLABS MAY BE USED SUBJECT TO IRISH WATER APPROVAL AND COMPLIANCE WITH BS 5911 PART 4: 2002.
- COVER AND FRAME SHALL BE SUITABLE FOR ROAD AND TRAFFIC CONDITIONS SUBJECT TO APPROVAL FROM IRISH WATER.
- 200mm ALL AROUND, 100mm DEEP CONCRETE BENCH WITH PROTECTIVE STAINLESS STEEL METAL BAND AROUND COVERS IN GREEN AREAS.
- ALL CHAMBERS TO BE COLOURED FOR UPLIFT BY THE DEVELOPER BASED ON GROUND CONDITIONS WITHIN THE SITE. SHOULD ANTI FLOUTATION MEASURES BE REQUIRED THEY SHALL BE SUBJECT TO APPROVAL FROM IRISH WATER.
- ALL CONCRETE TO BE IN ACCORDANCE WITH IS EN 205: 2013.

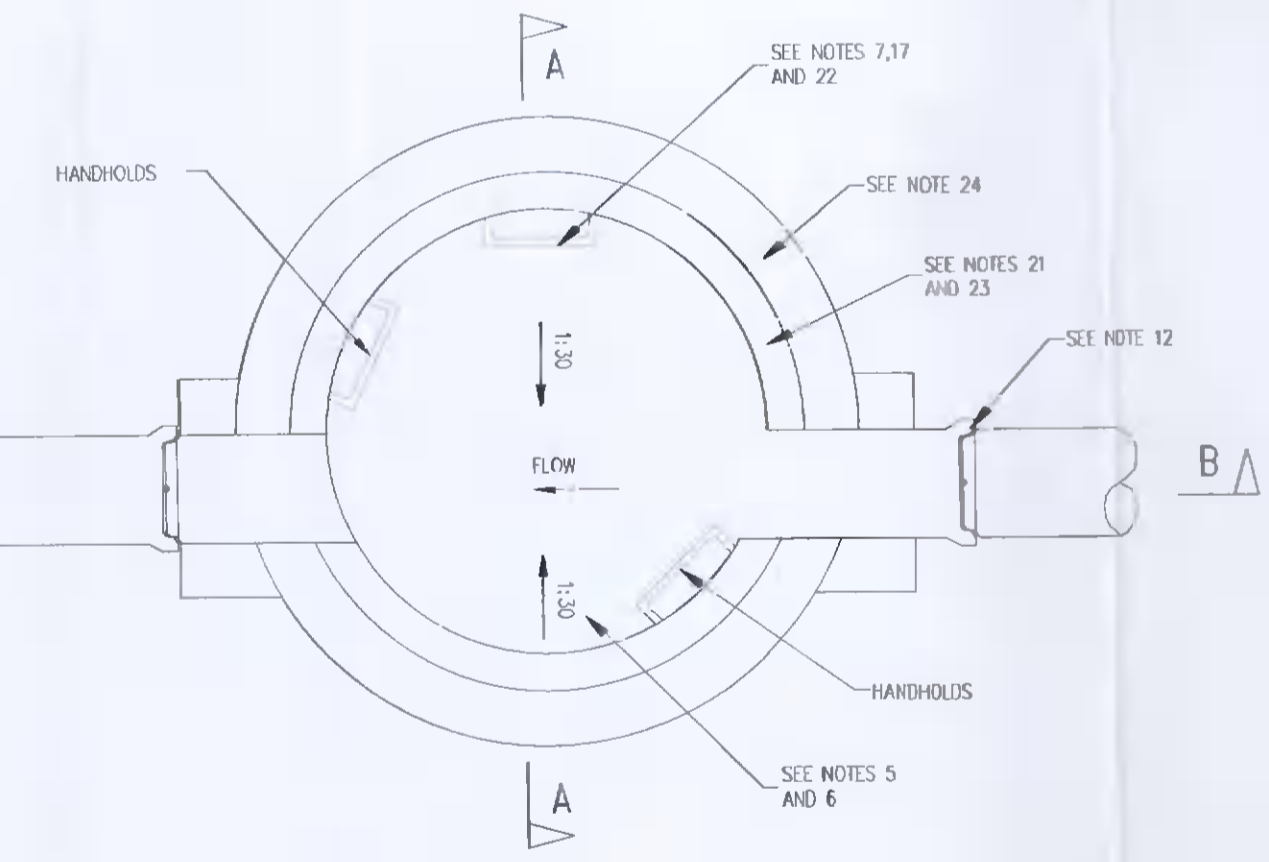


TYPE J MANHOLE (PRECAST)
 SECTION A-A
 SCALE: 1/20

TYPE J MANHOLE (PRECAST)
 SECTION B-B
 SCALE: 1/20

NOTE:
 CHAMBER COVERS TO BE CLASS D400 TO ARCHITECT'S SPECIFICATIONS

MANHOLE PIPE DIAMETER	CHAMBER INTERNAL DIAMETER
A	B
225mm ϕ	1200mm ϕ
300mm ϕ	1200mm ϕ
375mm ϕ	1200mm ϕ
450mm ϕ	1200mm ϕ
525mm ϕ	1200mm ϕ
600mm ϕ	1200mm ϕ
675mm ϕ	1350mm ϕ
750mm ϕ	1350mm ϕ
900mm ϕ	1500mm ϕ
1050mm ϕ	2100mm ϕ
1200mm ϕ	2100mm ϕ



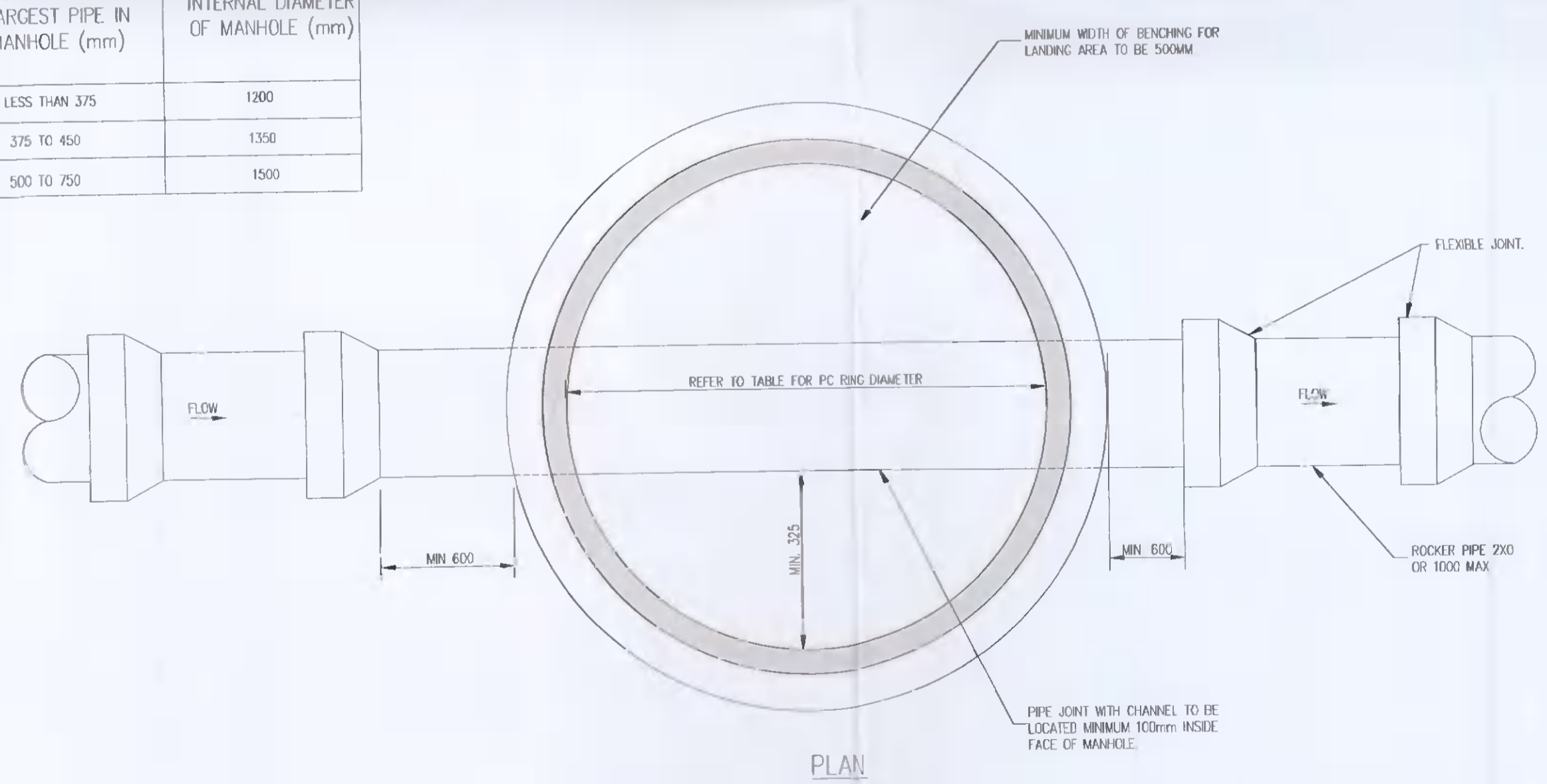
TYPE J MANHOLE (PRECAST)
 PLAN
 SCALE: 1/20

- NOTES:**
- 225mm THICK CL20N/20mm MASS CONCRETE FOUNDATIONS.
 - PREFORMED HALF CIRCLE CHANNEL PIPES, THE PIPELINE MAY, WHERE PRACTICABLE, BE LAID THROUGH THE MANHOLE AND THE CROWN CUT OUT TO HALF DIAMETER, PROVIDED FLEXIBLE JOINTS ARE SITUATED ON EACH SIDE NO FURTHER THAN 600mm FROM THE INNER FACE OF MANHOLE WALL.
 - MANHOLE CONSTRUCTION:
 - FOR SURFACE WATER MANHOLE HIGH DENSITY BLOCKS TO CLASS O OF 15:20 PART 1:1987 OR CL 30N/20mm IN-SITU CONCRETE.
 - BLOCK WORK SHALL BE BEDDED AND JOINED USING MORTAR TO BS406, BEDS AND VERTICAL JOINTS SHALL BE COMPLETELY FILLED WITH MORTAR AS THE BLOCKS ARE LAID.
 - JOINTS SHALL BE FLUSH FINISHED AS THE WORK PROCEEDS.
 - BEDS TO BE BEDDED TO BLOCK WORK USING ENGLISH GARDEN WALL BOND.
 - RELIEVING ARCH FORMED BY 215x10x65 SOLID ENGINEERING BRICK CLASS A OF 11 AS PER DRAWING, RELIEVING ARCHES USED IN BRICK OR BLOCK WORK MANHOLES EXTEND OVER FULL THICKNESS OF WALL. A DOUBLE ARCH IS TO BE FORMED FOR PIPE DIAMETERS GREATER THAN 600mm.
 - BENCHING AND PIPE CHANNEL PIPE SURROUND-CL20/20 CONCRETE.
 - BENCHING FINISHED IN 2:1 SAND-CEMENT MORTAR WITH A SMOOTH-TROWEL FINISH, AT 1:13 SLOPE TOWARDS CHANNEL.
 - STANDARD RUNGS AT 300 CENTRES VERTICALLY AND GALVANISED TO THE LATEST VERSION OF BS.729 OR EQUIVALENT NOTE: STEP IRONS ARE NOT ACCEPTABLE.
 - 600mm SQUARE OPE IN ROOF SLAB.
 - PRECAST R.C. ROOF SLAB SHALL BE 200mm THICK IN CLASS 30N/20mm, WITH 40mm COVER TO STEEL.
 - 1 TO 2 COURSES OF SOLID ENGINEERING BRICKS O/B TO BS.91:1983 SET IN 1:3 (CEMENT AND MORTAR).
 - CLASS D400 OR E600 MANHOLE COVER AND FRAME TO IS/EN 124, 150mm DEEP FRAME FOR ROADS AND 100mm DEEP FOR FOOTPATHS AND GREEN AREAS. NON-ROCK DESIGN, CLOSED KEYWAYS, MANUFACTURED FROM SPHEROIDAL GRAPHITE CAST IRON (DUCTILE CAST IRON), 600x600 (600mm) CLEAR OPENING, COVER AND FRAME COATED IN BITUMEN OR OTHER APPROVED MATERIAL, COVER TO HAVE A MINIMUM MASS OF 140KG/m², FRAME BEARING AREA SHALL BE 80,000mm² MIN. FRAMES SHALL BE DESIGNED TO PREVENT COVERS FALLING INTO MANHOLE. FRAMES SHALL BE BEDDED ON APPROVED MORTAR TO MANUFACTURERS INSTRUCTIONS.
 - SHORT LENGTH PIPE AND PIPE JOINT EXTERNAL TO MANHOLE SHALL NOT EXCEED 600mm FROM THE INNER FACE OF MANHOLE WALL.
 - TOE HOLES OF 230mm MINIMUM DEPTH AND GALVANISED STEEL SAFETY RAILINGS TO BE PROVIDED IN BENCHING OF SEWERS GREATER THAN 525mm DIAMETER AND DEPTH TO INVERT 20m FOR ACCESS TO INVERT.
 - A SAFETY CHAIN IS TO BE PROVIDED ON PIPES THAT EXCEED 450mm IN DIAMETER, MILD STEEL SAFETY CHAIN SHALL BE 10mm NOMINAL SIZE GRADE (M10) NON-CALIBRATED CHAIN, TYPE 1, COMPLYING WITH BS.4942 PART 2 OR EQUIVALENT.
 - WHEN DEPTH OF MANHOLES TO INVERT IS GREATER THAN 3.0m LADDERS SHALL BE USED INSTEAD OF RUNGS TO BS.4211 OR EQUIVALENT EXCEPT THAT STRINGERS SHOULD BE NOT LESS THAN 65x12mm IN SECTION AND RUNGS 25mm IN DIAMETER, EVERY LADDER SHOULD MEET THE DIMENSIONAL REQUIREMENTS OF BS.4211 OR EQUIVALENT.
 - LADDER STRINGERS SHOULD BE ADEQUATELY SUPPORTED FROM THE MANHOLE WALL AT INTERVALS OF NOT MORE THAN 2.0m, STRINGERS SHOULD BE BOLTED TO CLEATS TO FACILITATE REMOVAL.
 - ALL LADDERS, RUNGS, HANDRAILS, SAFETY CHAINS ETC. SHALL BE HOT DIP GALVANISED TO BS.729 OR EQUIVALENT.
 - PIPE SHOULD BE CUT FLUSH WITH THE INSIDE SURFACE OF THE MANHOLE WALL SO THAT THE CHANNEL EXTENDS THE FULL LENGTH OF THE MANHOLE (EXCEPT FOR PRECAST MANHOLES).
 - POSITION OF 910 SQUARE OPE IN INTERMEDIATE ROOF SLAB:
 - ALL MANHOLES SHALL BE WATER TIGHT TO THE SATISFACTION OF THE ENGINEER.
 - FORMWORK TO REINFORCED CONCRETE AND MASS CONCRETE SHALL COMPLY WITH CLASS 2.
 - SECTION 6.2.7, BS.810 PART 1:1987.
 - FINISH TO THE TOP OF SLABS SHALL COMPLY WITH TYPE A, SECTION 6.2.7, BS.810: PART 1:1987.
 - PLAN DIMENSIONS OF MANHOLE ARE BASED ON BLOCK WORK HAVING A COORDINATING SIZE OF 450x225x100.
 - MANHOLES ARE DESIGNED TO BS.800S AND WALL THICKNESS TO BS.325 BLOCK WORK DESIGN CODE TAKING GRANULAR FILL PRESSURE AND H.B. SURCHARGE.
 - REINFORCEMENT TO SLABS TO ENGINEERS DETAILS.
 - FOR MANHOLES 3m DEPTH TO INVERT USE 30N/20mm INSITU CONCRETE, REINFORCING MESH REF. A3530 E.18KG/M TO BE FIXED AT MID POINT OF WALL. ADDITIONAL REINFORCEMENT TO BE SUPPLIED OVER PIPE CROWN.
 - FOR PRECAST MANHOLES, CHAMBER WALLS AND COVER SLAB TO BE CONSTRUCTED TO IS EN 1917 AND IS 420:2004.
 - MANHOLE OPENINGS TO BE SITUATED FURTHEST FROM THE NEAREST CARRIAGEWAY, MANHOLE STEPS/ACCESS TO BE POSITIONED TO ALLOW VIEWING OF ONCOMING TRAFFIC.
 - FOR BENCHING AND SEALING OF CHAMBER RINGS, THE TOP RING (TO PRECAST COVER SLAB AND BOTTOM RING TO BE BEDDED WITH CEMENT MORTAR, FOR INTERMEDIATE RINGS, JOINTS TO BE SEALED WITH APPROVED PRE-FORMED JOINTING STRIP.
 - PRECAST MANHOLES TO BE SURROUNDED WITH A MINIMUM OF 150mm THICK GRADE C8 CONCRETE.
 - THIS DRAWING SHALL BE READ IN CONJUNCTION WITH THE SPECIFICATION.
 - DO NOT SCALE FROM THIS DRAWING USE STATED DIMENSIONS ONLY. IF IN DOUBT CONSULT THE ENGINEER.
 - LEVELS REFER TO O.S. DATUM MALIN HEAD.

GENERAL NOTES
 ALL BRICK TO BE SOLID ENGINEERING BRICK CLASS A OR B.
 FOR PIPE DIAMETER >750mm USE MANHOLE WITH INTERNAL SIZE=PIPE SIZE + 1mETRE + 300mm.
 DISTANCE FROM THE TOP RING OF THE LADDER TO GROUND LEVEL MUST BE A MAXIMUM OF 500mm

MINIMUM MANHOLE DIAMETERS "D"

DIAMETER OF LARGEST PIPE IN MANHOLE (mm)	INTERNAL DIAMETER OF MANHOLE (mm)
LESS THAN 375	1200
375 TO 450	1350
500 TO 750	1500



FOUL MANHOLES TO IRISH WATER SPECIFICATIONS
 (STD-WW-10)
 SCALE: 1/20

SURFACE WATER MANHOLES TO SOUTH DUBLIN COUNTY COUNCIL
 SPECIFICATIONS
 SCALE: 1/20

PLANNING DRAWING
 NOT FOR CONSTRUCTION THIS DRAWING HAS BEEN ISSUED FOR INFORMATION PURPOSES ONLY AND MUST NOT BE USED FOR CONSTRUCTION UNDER ANY CIRCUMSTANCES

- NOTES**
- For setting out refer to Architect's drawings.
 - This drawing to be read in conjunction with all other Architectural and Engineering drawings and all other relevant drawings and Specifications.
 - DO NOT SCALE THIS DRAWING. Use figured dimensions only.
 - No part of this document may be reproduced or transmitted in any form or stored in any retrieval system of any nature without the written permission as copyright holder except as agreed.
 - Ordnance Survey Ireland Licence Number EN 0074022

Rev. No.	Date	REVISION NOTE	Dim. By	Chk. By

Client Quintain Developments Ireland Ltd Adamstown Blocks A,C & D			
Title Manhole Details			
DD	MMT	RFM	Dwg. No. D078-005
Nov 2019	Scale AS SHOWN @ A1	Revised	

CS Consulting Group DUBLIN LONDON LIMERICK	
Head Office 18-22 Dame Street, Dublin 2 T: +353 (0)1 5480883 F: +353 (0)1 9011355 e: info@csconsulting.ie w: www.csconsulting.ie	
Quality ISO 9001:2008	Environment ISO 14001:2004
Health & Safety OHSAS 18001:2007	Energy ISO 50001:2011