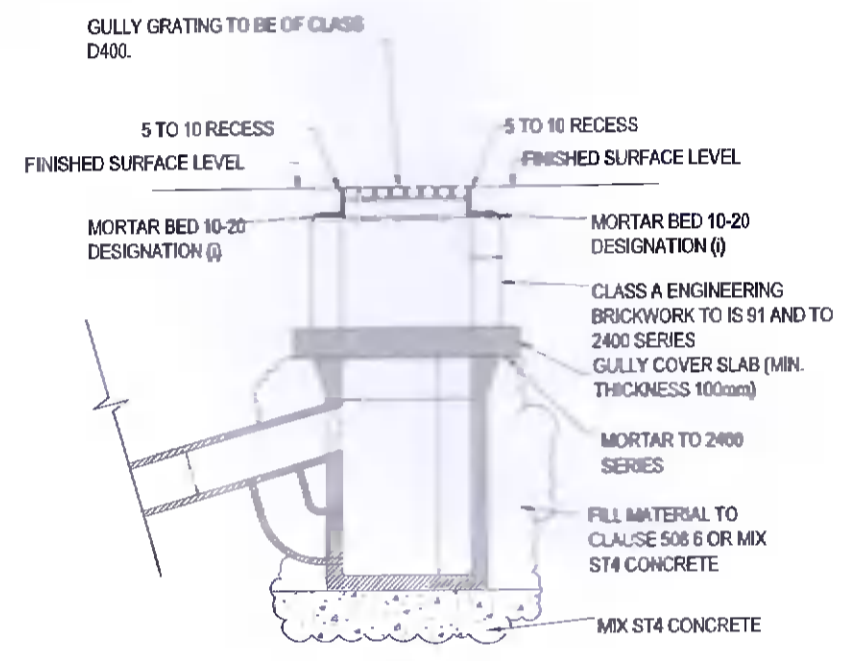
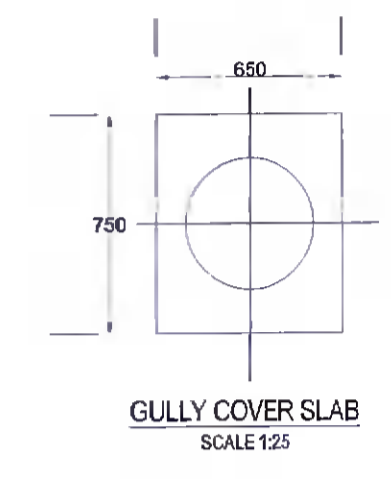
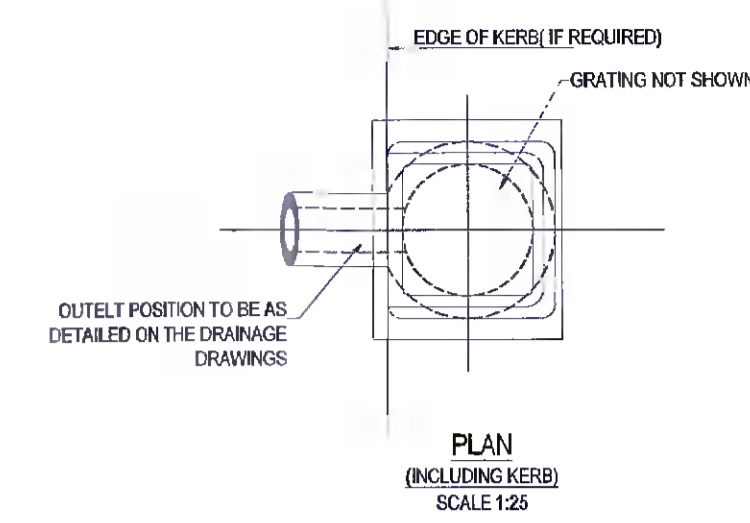
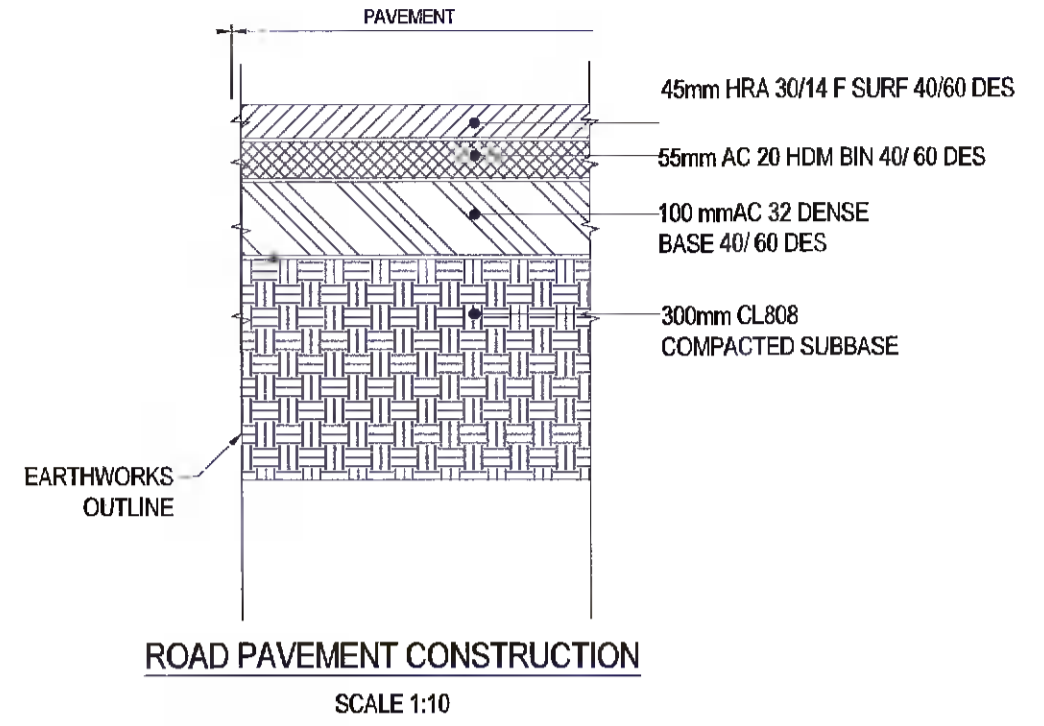
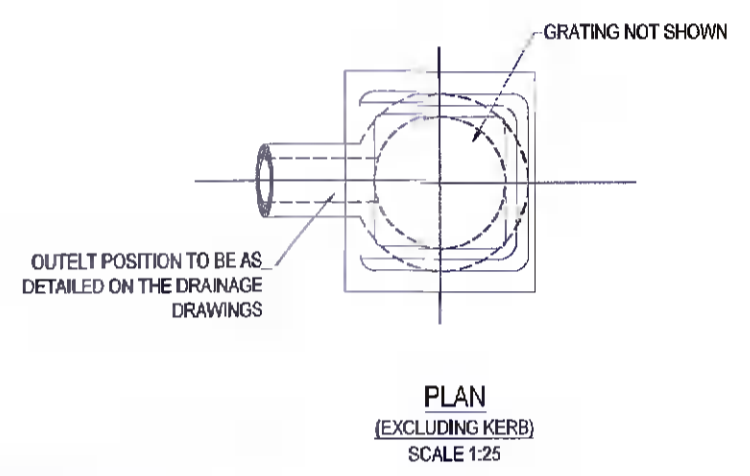


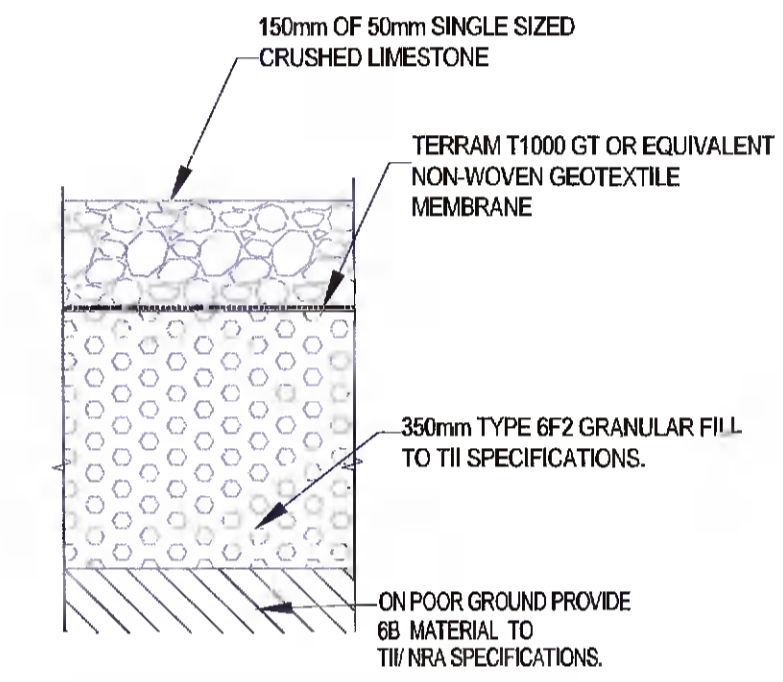
PRECAST CONCRETE GULLY (NEXT TO KERB) SCALE 1:25



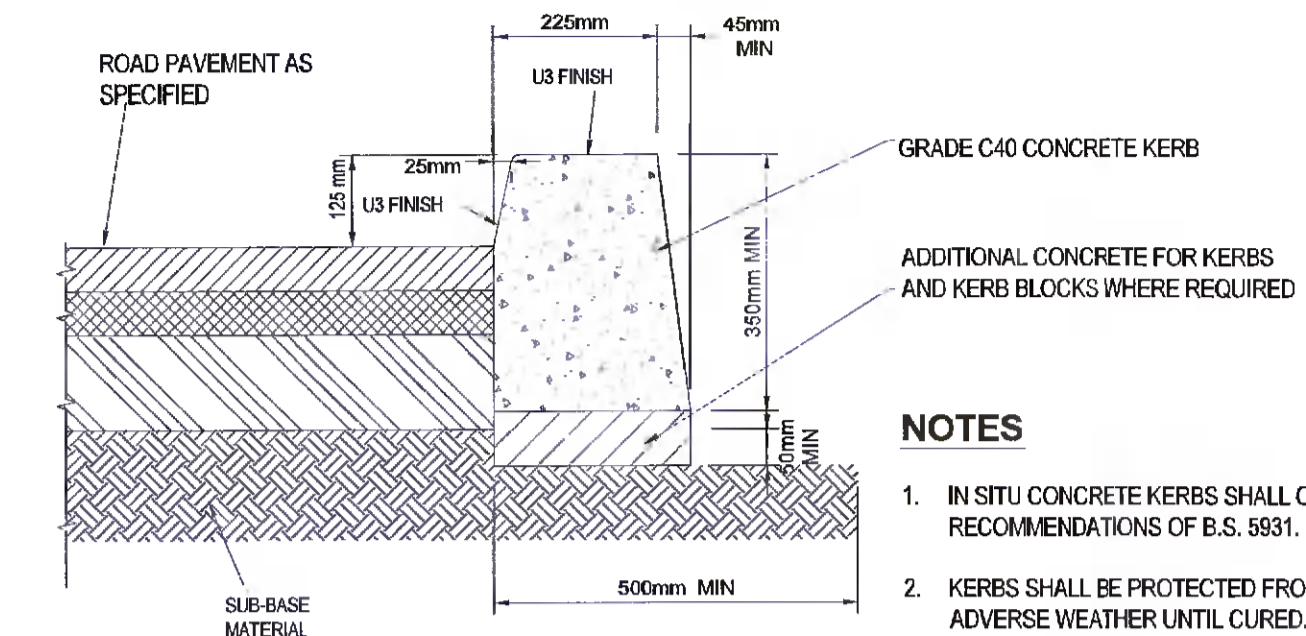
PRECAST CONCRETE GULLY (WITHOUT KERB) SCALE 1:25



ROAD PAVEMENT CONSTRUCTION SCALE 1:10

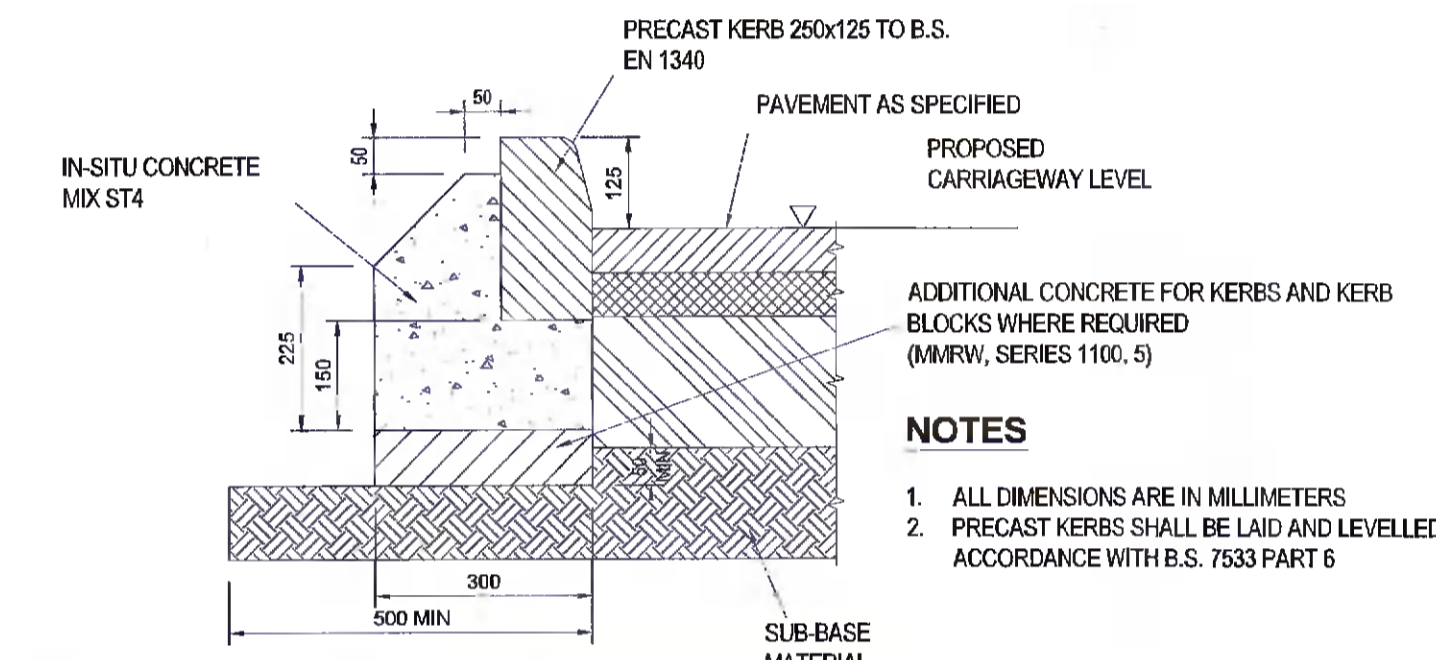


PROPOSED STONE/GRAVEL SURFACE SCALE 1:10



TYPICAL IN SITU CONCRETE KERB SCALE 1:10

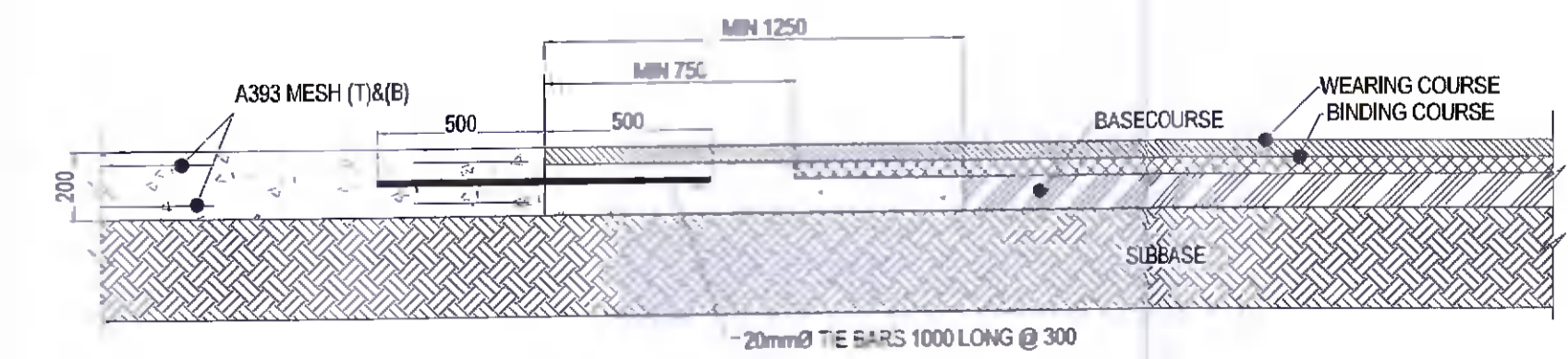
- NOTES**
1. IN SITU CONCRETE KERBS SHALL COMPLY WITH THE RECOMMENDATIONS OF B.S. 9931.
 2. KERBS SHALL BE PROTECTED FROM THE EFFECTS OF ADVERSE WEATHER UNTIL CURED.



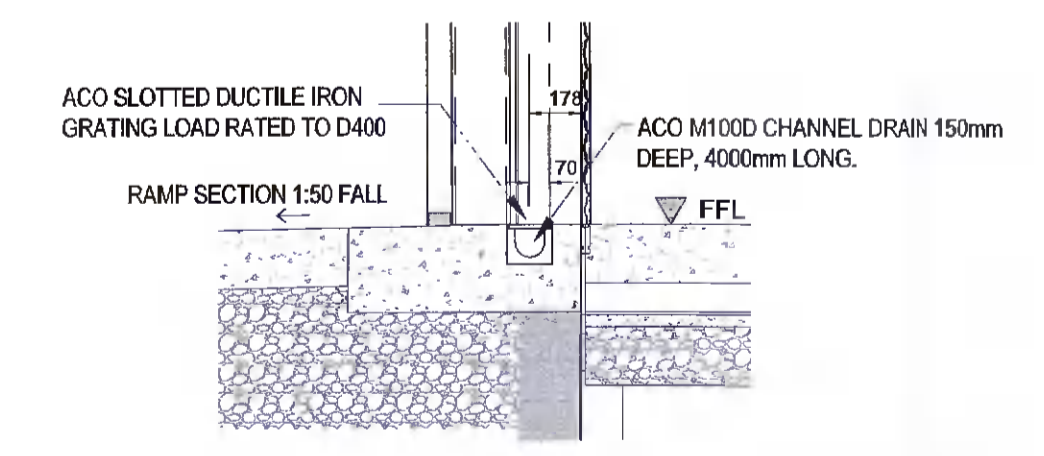
TYPICAL IN PRECAST KERB DETAIL SCALE 1:10

- NOTES**
1. ALL DIMENSIONS ARE IN MILLIMETERS
 2. PRECAST KERBS SHALL BE LAID AND LEVELLED IN ACCORDANCE WITH B.S. 7533 PART 6

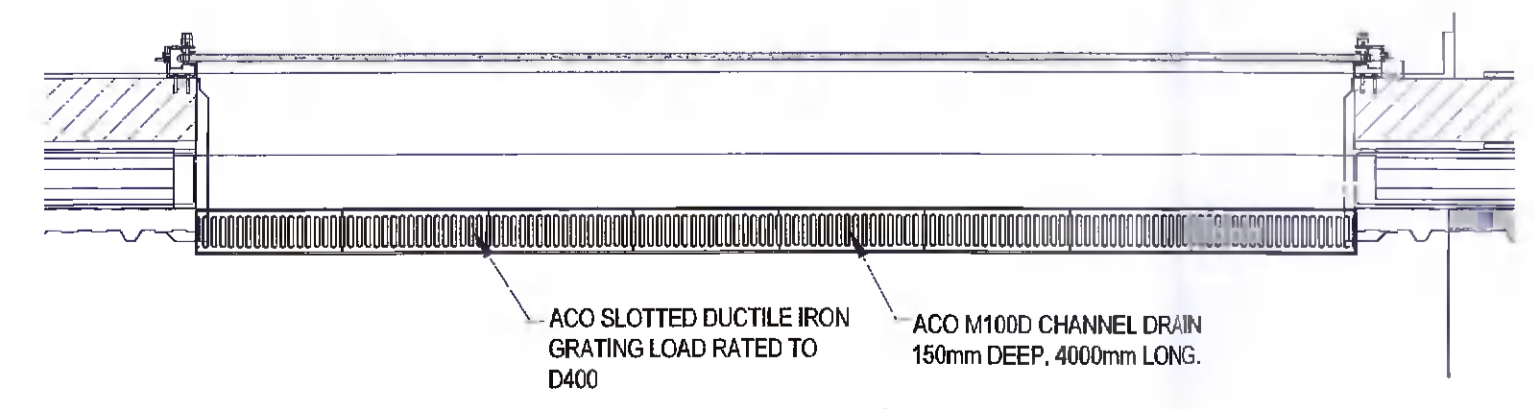
- GULLY NOTES:**
1. ALL DIMENSIONS ARE IN MILLIMETERS EXCEPT WHERE STATED.
 2. THE MINIMUM DEPTH FROM THE TOP OF THE GRATING TO THE TOP OF THE GULLY OUTLET IS TO BE 750 WHEN THE CONNECTING PIPE IS UNDER A CARRIAGEWAY OR A HARD SHOULDER AND 600 ELSEWHERE.
 3. PRECAST CONCRETE GULLIES AND COVER SLABS SHALL BE TO IS EN 1917 OR BS 5911-6.
 4. WHERE THE GULLY HAS A TRAP THE STOPPERS SHALL COMPLY WITH THE REQUIREMENTS OF BS 5911-4 AND IS EN 1917.



GIS LOADING BAY RIGID TO FLEXIBLE PAVEMENT CONSTRUCTION DETAIL Scale 1:20



TYPICAL ACO DRAIN - SHUTTER DOOR INTERFACE ELEVATION SCALE 1:25



TYPICAL ACO DRAIN - SHUTTER DOOR INTERFACE PLAN SCALE 1:25

CLIENT

BCEI
DURA COMPUTER ENVIRONMENTS, INC.

10400 Rodgers Road
Houston, Texas 77070

Phone: 281-374-8644
Fax: 281-374-8992

HV Main Contractor

HIGH Voltage Specialists

STRUCTURAL ENGINEER

Clifton Scannell Emerson Associates

ARCHITECT

Henry J Lyons

LEGEND

NOTES

DISCIPLINE

Clifton Scannell Emerson Associates

PROJECT

ESSDUB98
KISHOGE 110KV SUBSTATION

Rev	Date	Description	By	Ckd
P03	12.04.2022	ISSUED FOR PLANNING	KB	HF

CONFIDENTIAL INFORMATION: This drawing/document and all design details, inventions or developments covered or derived thereby are confidential and the exclusive property of the owner (or its affiliates), which reserve all rights in the drawing/document. Copying, reproduction, duplication, or distribution to a third party, in whole or in part, is forbidden unless expressly authorised in writing.

Drawn by IC	Checked by HF	Date 01-12-2021
Scale (@ A1) AS INDICATED	Status code S1	Project number 21_100

Drawing Title
DRAINAGE DETAILS SHEET 2 OF 2

Drawing Number
(Project Code-Originator-Volume-Level-Type-Sheet no.)
ESSDUB98-CSE-01-XX-DR-C-3102 **P03**