

BALLYMAKILLY
Baite Mhic Caollaí

CLIENT




Burr Computer Environments Inc

10400 Rodgers Road
Houston, Texas 77070


Phone: 281-374-8644
Fax: 281-374-8992

HV Main Contractor



H&MV
ENGINEERING
High Voltage Specialists

STRUCTURAL ENGINEER

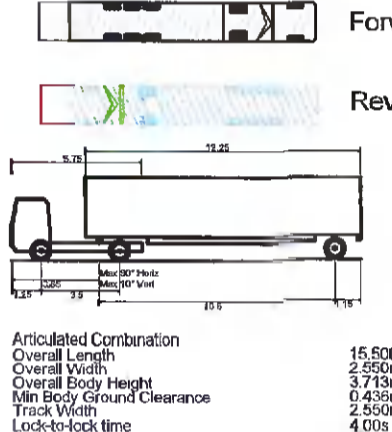


Clifton Scannell Emerson
Associates

ARCHITECT

Henry J Lyons

LEGEND




Forward direction
Reverse direction

Articulated Combination
Overall Length 15.500m
Overall Body Height 3.750m
Wheel Track 2.500m
Lock-to-lock Time 4.00m
Curb to Curb Turning Radius 7.500m

- NOTES**
1. THIS DRAWING TO BE READ IN CONJUNCTION WITH ALL RELEVANT DRAWINGS AND SPECIFICATIONS
 2. DO NOT SCALE DIMENSIONS
 3. THE CONTRACTOR SHALL CHECK ALL DIMENSIONS PRIOR TO CONSTRUCTION. ANY DISCREPANCIES TO BE NOTIFIED TO CSEA
 4. ALL MATERIALS AND WORKMANSHIP TO BE IN ACCORDANCE WITH THE CIVIL WORKS SPECIFICATION (DOCUMENT NO. DUB000-CSE-00-XX-DR-C-2007)
 5. REFER TO DRAWING NOS. DUB000-CSE-00-XX-DR-C-2013 AND 2014 FOR SITE LAYOUT PLAN AND LEVELS
 6. PROPOSED FENCING AND GATES LAYOUT TO ARCHITECTS DRAWINGS AND DETAILS / LANDSCAPE ARCHITECTS DRAWINGS AND DETAILS
 7. PROPOSED LANDSCAPED AREAS SHALL BE IN ACCORDANCE WITH ARCHITECTS / LANDSCAPE ARCHITECTS DRAWINGS AND DETAILS
 8. REFER TO DRAWING NOS. DUB000-CSE-00-XX-DR-C-2013 AND 2014 FOR PROPOSED ROAD DETAILS
 9. REFER TO DRAWING NOS. DUB000-CSE-00-XX-DR-C-2007, 2008 AND 2009 FOR PROPOSED AUTOTRACKING DETAILS

DISCIPLINE



Clifton Scannell Emerson
Associates

PROJECT

ESSDUB98
KISHOGE 110KV SUBSTATION

Rev	Date	Description	By	Ckd
P03	12.04.2022	ISSUED FOR PLANNING	KB	HF

CONFIDENTIAL INFORMATION: This drawing/document and all design details, inventions or developments covered or derived thereby are confidential and the exclusive property of the owner (or its affiliates), which reserve all rights in the drawing/document. Copying, reproduction, duplication, or distribution to a third party, in whole or in part, is forbidden unless expressly authorised in writing.

Drawn by IC	Checked by HF	Date 01-12-2021
Scale (@ A1) 1:1000	Status code S1	Project number 21_100

Drawing Title

PROPOSED AUTOTRACKING
STANDARD ARTICULATED VEHICLE

Drawing Number
(Project Code-Originator-Volume-Level-Type-File-Sheet no.) Revision

ESSDUB98-CSE-00-XX-DR-C-2107 P03

DRAWING IS PRODUCED USING THE IRISH TRANSVERSE MERCATOR (ITM) GEOGRAPHIC COORDINATE SYSTEM