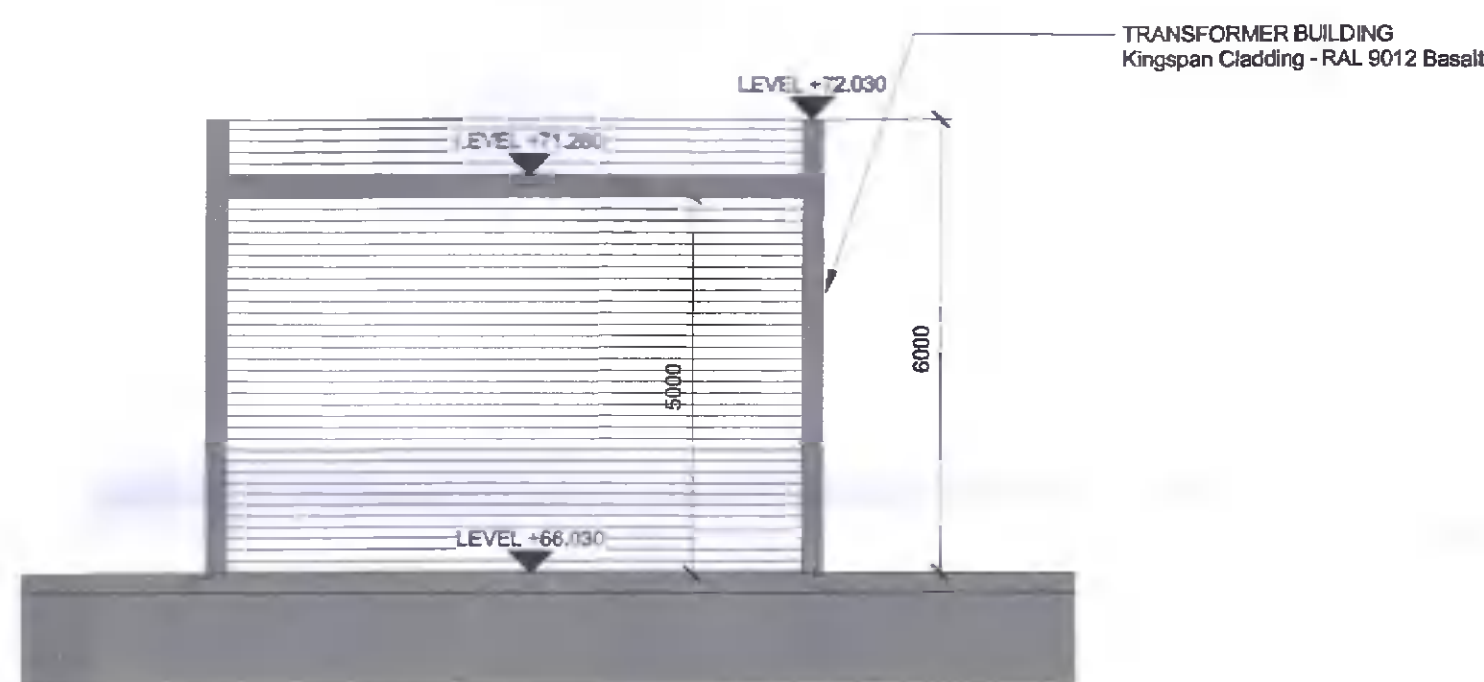
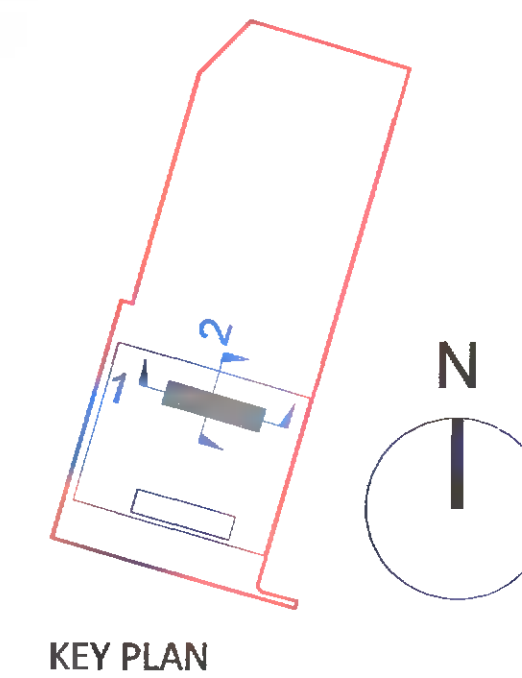


1 PERMITTED GA - TRANSFORMER BUILDING - SECTION AA
SCALE: 1:100




2 PERMITTED GA - TRANSFORMER BUILDING - SECTION BB
SCALE: 1:100



CLIENT


 BURR COMPUTER ENVIRONMENTS, INC
 10400 Rodgers Road Houston, Texas 77070 Phone: 281-374-8644 Fax: 281-374-8992

HV Main Contractor


STRUCTURAL ENGINEER


ARCHITECT
Henry J Lyons

LEGEND

NOTES

DISCIPLINE
Henry J Lyons

PROJECT
 ESSDUB98 - KISHOGE 110kV SUBSTATION

Rev	Date	Description	By	Ckd
P1	14/04/2022	ISSUED FOR PLANNING	CDA	JM

CONFIDENTIAL INFORMATION: This drawing/document and all design details, inventions or developments covered or derived thereby are confidential and the exclusive property of the owner (or its affiliates), which reserve all rights in the drawing/document. Copying, reproduction, duplication, or distribution to a third party, in whole or in part, is forbidden unless expressly authorised in writing.

Drawn by CDA	Checked by JM	Date 26/11/21
Scale (@ A1) As indicated	Status code A1	Project number 950918

Drawing Title
 PERMITTED TRANSFORMER BUILDING SECTIONS

Drawing Number
 (Project Code-Originator-Volume-Level-Type-Role-Sheet no.)
 ESSDUB98- HJL- 04- XX- DR- A-5101 **P1**