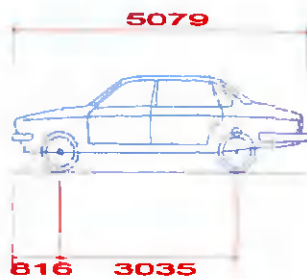


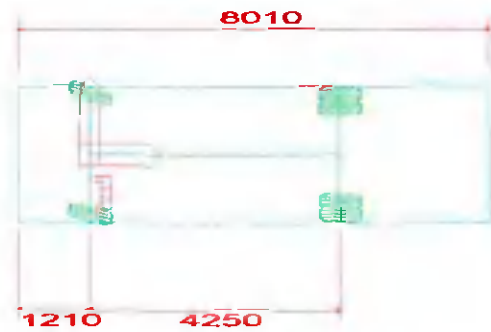
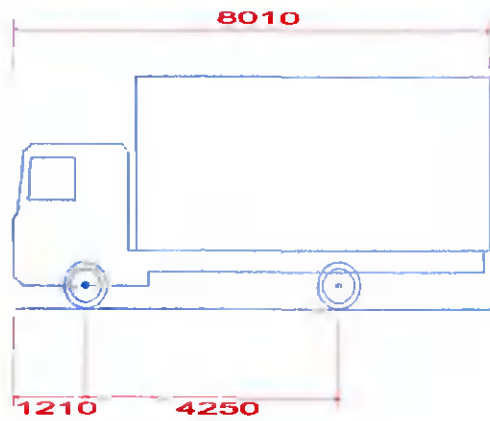
### 7.5t Panel Van

Overall Length	7210mm
Overall Width	2192mm
Overall Body Height	2544mm
Min Body Ground Clearance	316mm
Track Width	1865mm
Lock to lock time	4.00s
Kerb to Kerb Turning Radius	7400mm



### Large Car (2006)

Overall Length	5079mm
Overall Width	1872mm
Overall Body Height	1525mm
Min Body Ground Clearance	310mm
Max Track Width	1831mm
Lock to lock time	4.00s
Kerb to Kerb Turning Radius	5900mm



### **7.5t Box Van**

<b>Overall Length</b>	<b>8010mm</b>
<b>Overall Width</b>	<b>2100mm</b>
<b>Overall Body Height</b>	<b>3556mm</b>
<b>Min Body Ground Clearance</b>	<b>351mm</b>
<b>Track Width</b>	<b>2064mm</b>
<b>Lock to lock time</b>	<b>4.00s</b>
<b>Kerb to Kerb Turning Radius</b>	<b>7400mm</b>