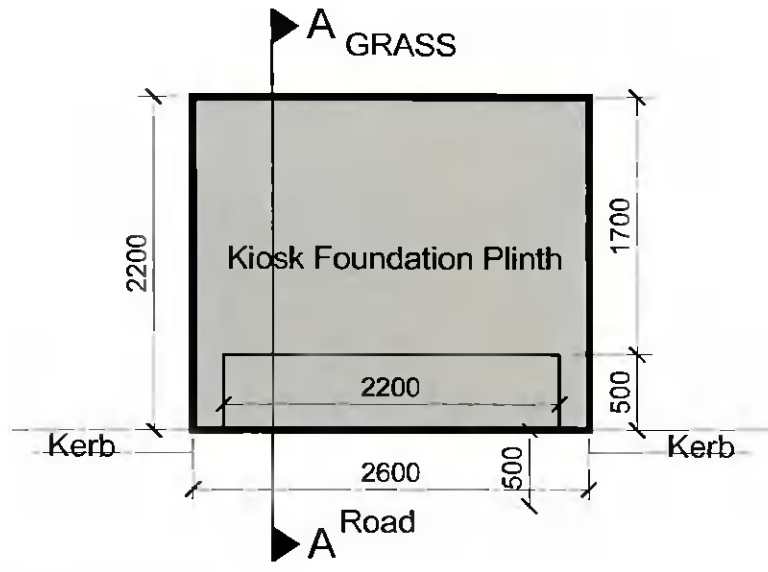
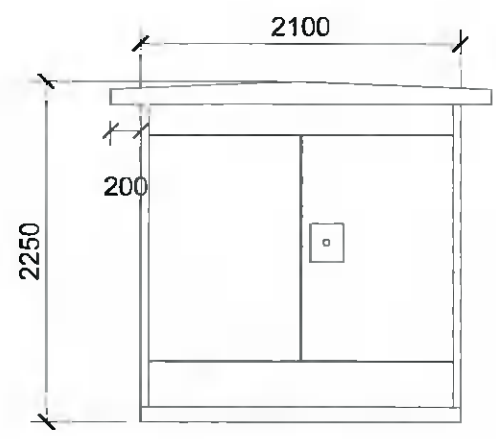


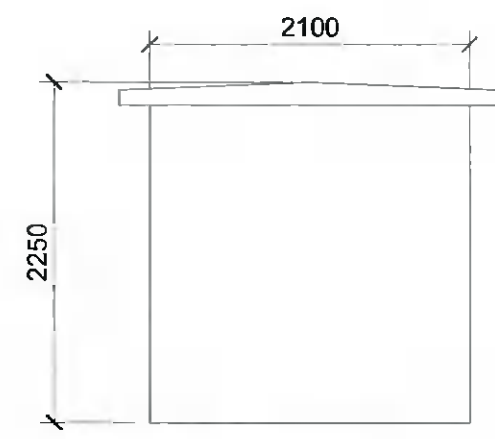
GENERAL NOTES:
 ** Do not scale from this drawing
 *** Use figured dimensions only
 © This drawing is copyright. No part of this document may be reproduced or transmitted in any form or stored in any retrieval system from the copyright holder, except as agreed for use on a project, for which the document was originally issued



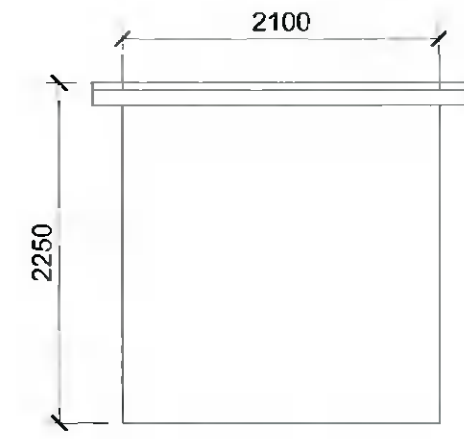
SUBSTATION PLAN
SCALE 1:50



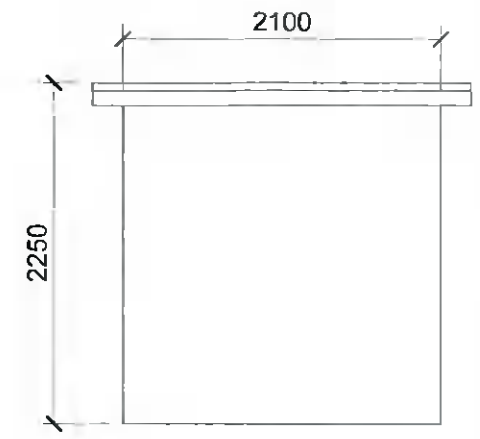
FRONT ELEVATION
SCALE 1:50



REAR ELEVATION
SCALE 1:50



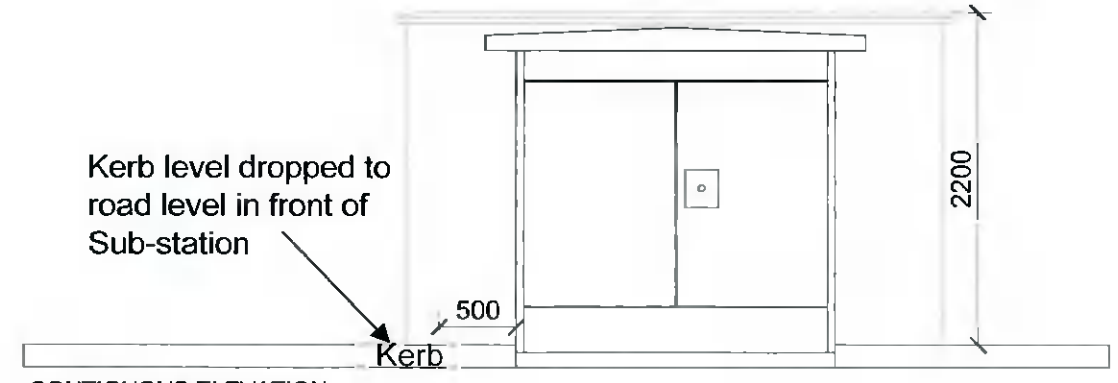
SIDE ELEVATION
SCALE 1:50



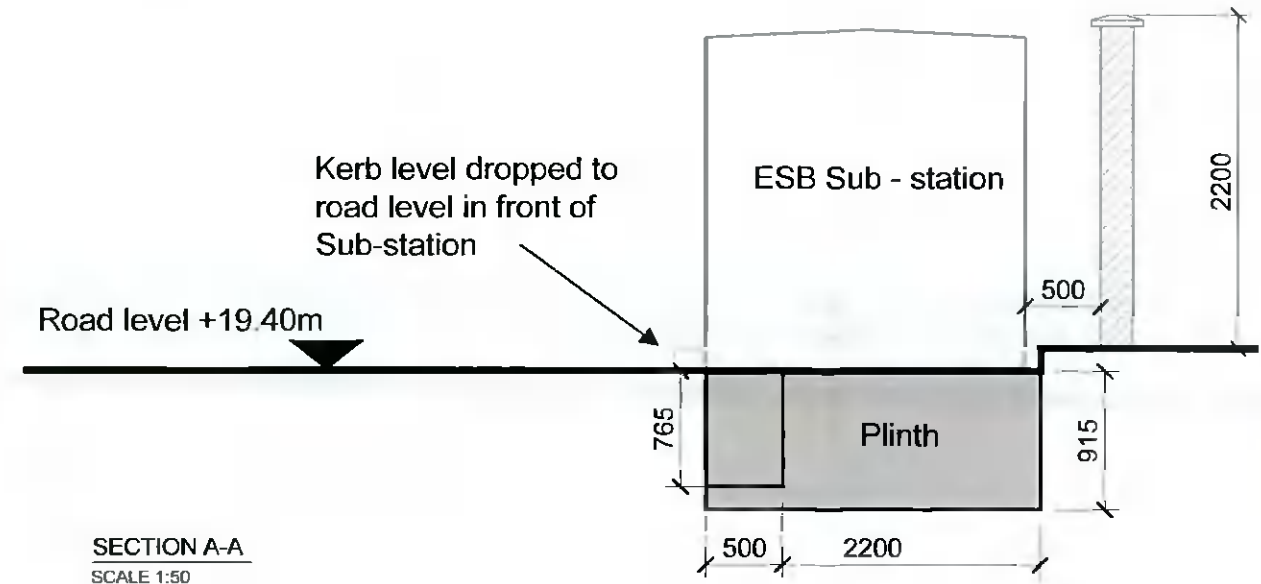
SIDE ELEVATION
SCALE 1:50



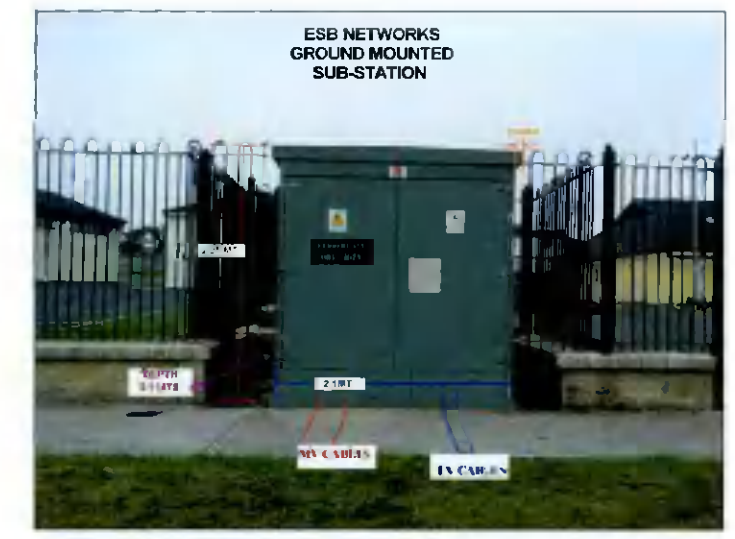
LOCATION OF SUBSTATION ON SITE LAYOUT PLAN
SCALE 1:1000



CONTIGUOUS ELEVATION
SCALE 1:50



SECTION A-A
SCALE 1:50



EXAMPLE OF SUBSTATION
NTS

PLANNING

Rev	Initial	Date	Revision Description

DCWNEY		28 Merion Square, D02RW54 +353 (0) 1 253 0220 info@dcwney.ie	RIAI 2021
CLIENT	LORAT TRADING LTD	SCALE @ A1	PAPER SIZE
PROJECT	PROPOSED DEVELOPMENT OF MAIN STREET, RATHCOOLE CO DUBLIN	SCALE @ A3	A3
DWG TITLE	PROPOSED SUB STATION-PLANS, SECTIONS ELEVATIONS	DRAWN BY	MA
		CHECKED BY	JR
		DATE	17.12.21
		REVISION	
			DWG NO
			PL 500