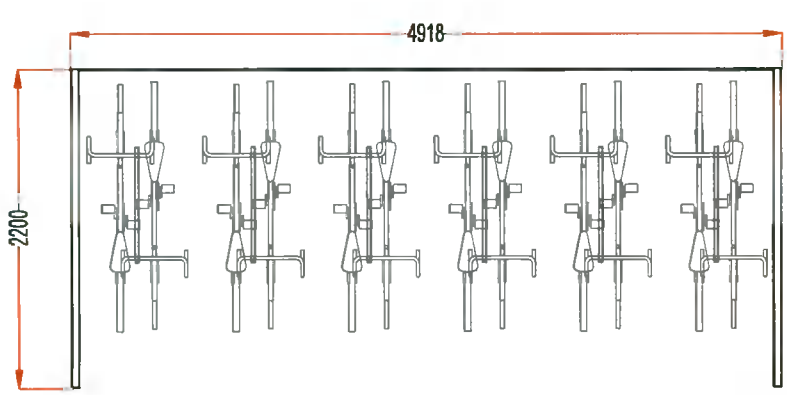
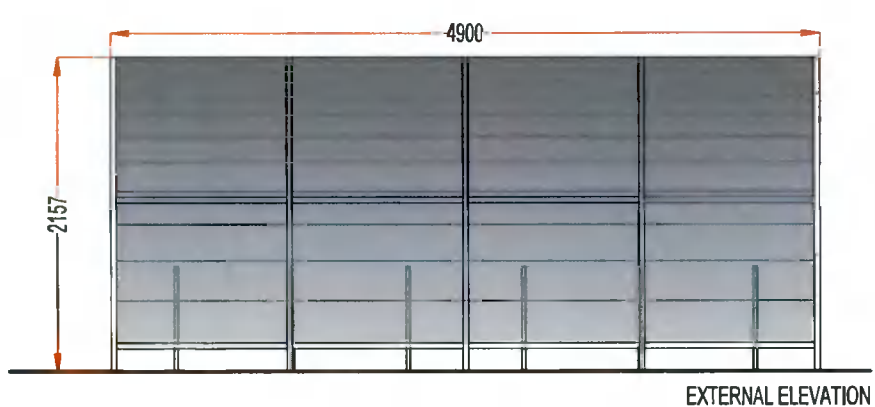
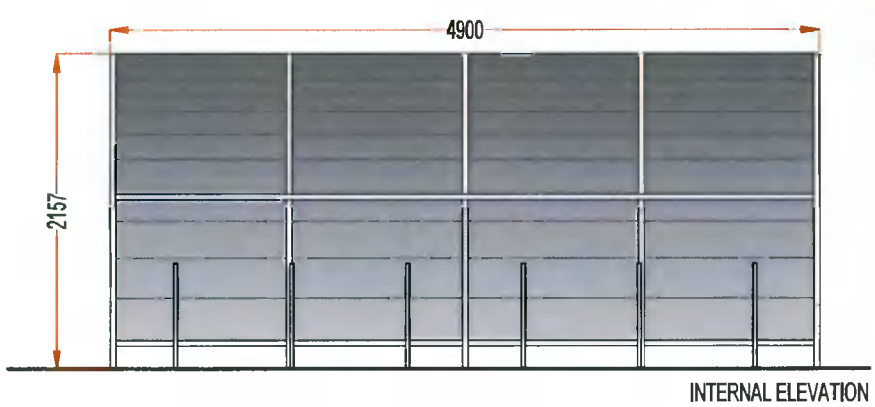
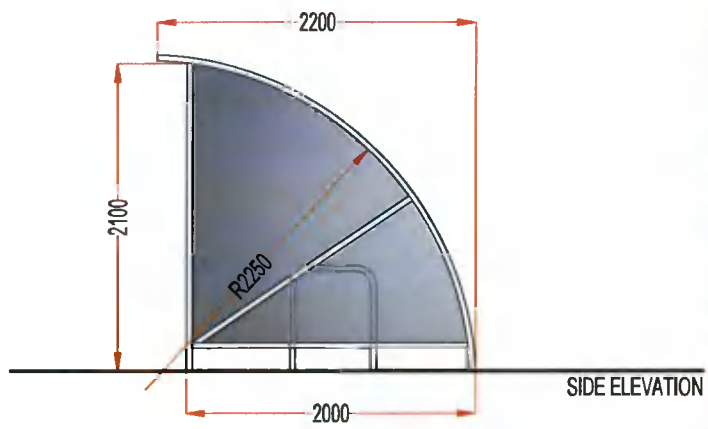


A4



<p>Job Title DEVELOPMENT AT SITE C, COLLEGE LANE, GREENOGUE RATHCOOLE, Co. DUBLIN</p>	<p>Drawing Title COVERED BIKE PARK - <i>Proposed</i></p>	<p>Drawn: TK Checked: PK Approved: PK Scale: 1:50 @A4 Date: MARCH 2022</p> <p>KAVANAGH BURKE CONSULTING ENGINEERS</p> <p>Tel: 01 - 450 0694 Fax: 01 - 426 4340 Email: pkavanagh@kavanaghburke.ie</p> <p>Unit F3, Calmount Park, Ballymount, Dublin 12</p>
<p>Architect/Client JORDANSTOWN PROPERTIES LTD</p>	<p>Drawing Status PLANNING ALTERATION (PROPOSED)</p>	<p>Job No. D1658 Drawing No. GA-A10 Rev. PL6</p>