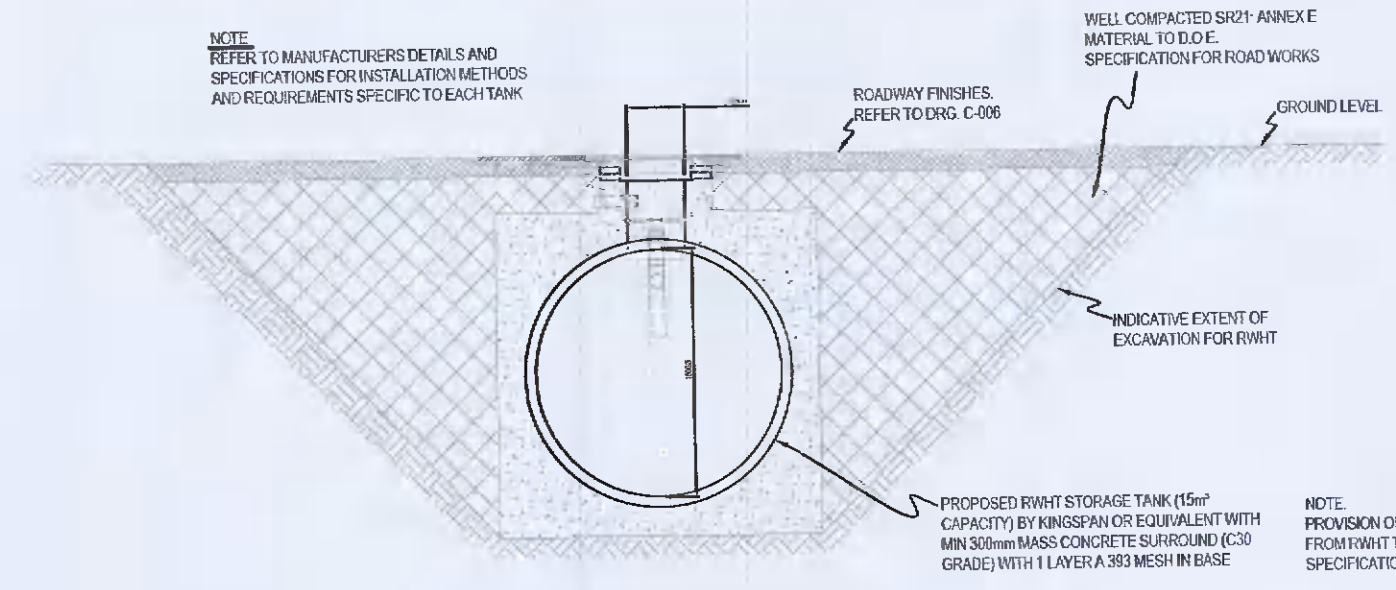
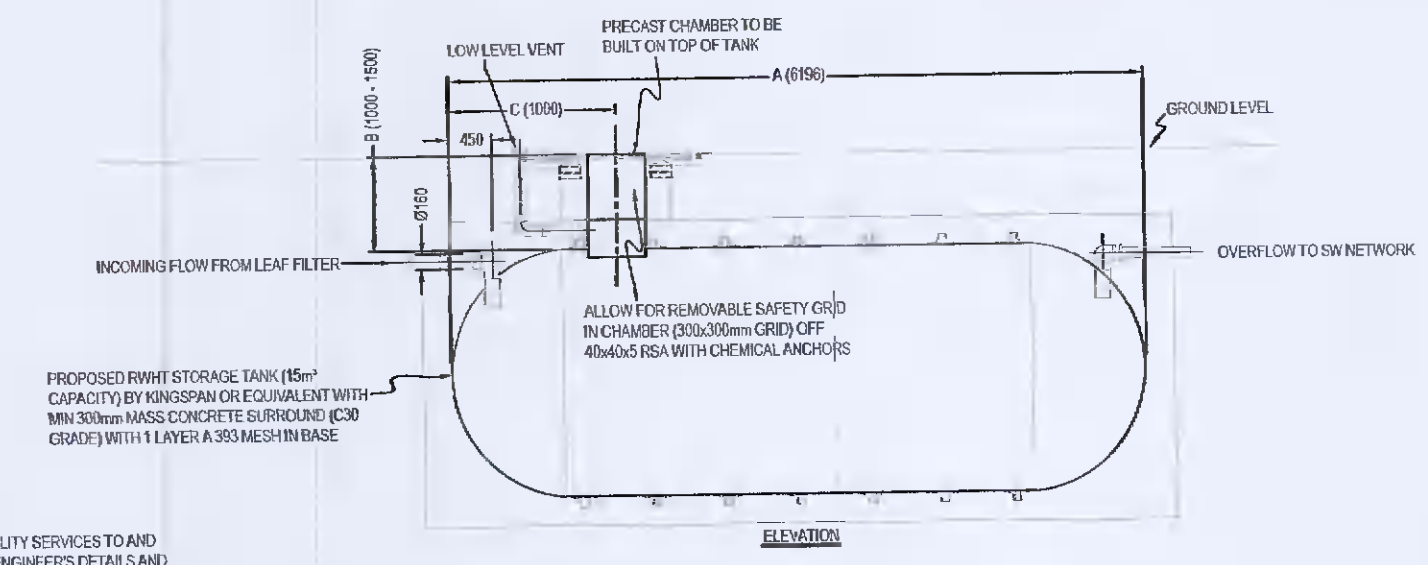


**GENERAL NOTES:**

1. FOR STANDARD DOBA NOTES REFER TO DRAWING DOBA1529-S-0001 & S-0002
2. THIS DRAWING IS TO BE READ IN CONJUNCTION WITH ALL OTHER RELEVANT ARCHITECT'S & ENGINEER'S DRAWINGS AND SPECIFICATIONS.
3. USE FIGURED DIMENSIONS ONLY. DO NOT SCALE
4. ALL FFL AND SSL TO BE CONFIRMED BY ARCHITECT
5. ALL DPCs, DPMs, RADON BARRIERS, INSULATION AND ALL WEATHERING DETAILS TO ARCHITECT'S DRAWINGS & SPECIFICATIONS
6. THE CONTRACTOR SHALL VERIFY ALL DIMENSIONS AND LEVELS WITH ARCHITECTURAL DRAWINGS PRIOR TO START OF CONSTRUCTION. ANY DISCREPANCIES TO BE NOTIFIED TO THE ENGINEER & ARCHITECT FOR RESOLUTION



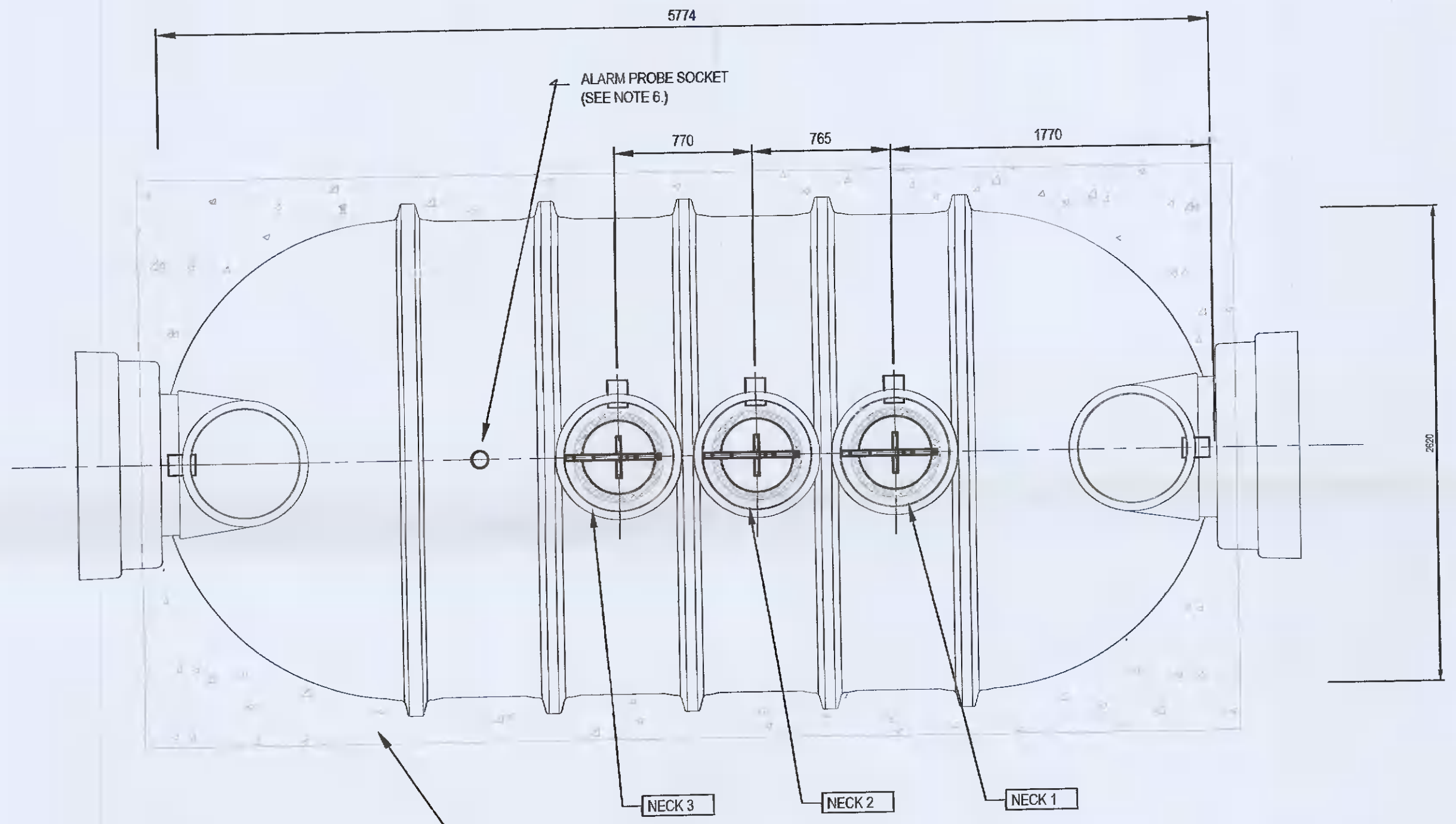
**SECTION THROUGH TYPICAL PROPOSED RAINWATER HARVESTING TANK**  
SCALE: 1:50



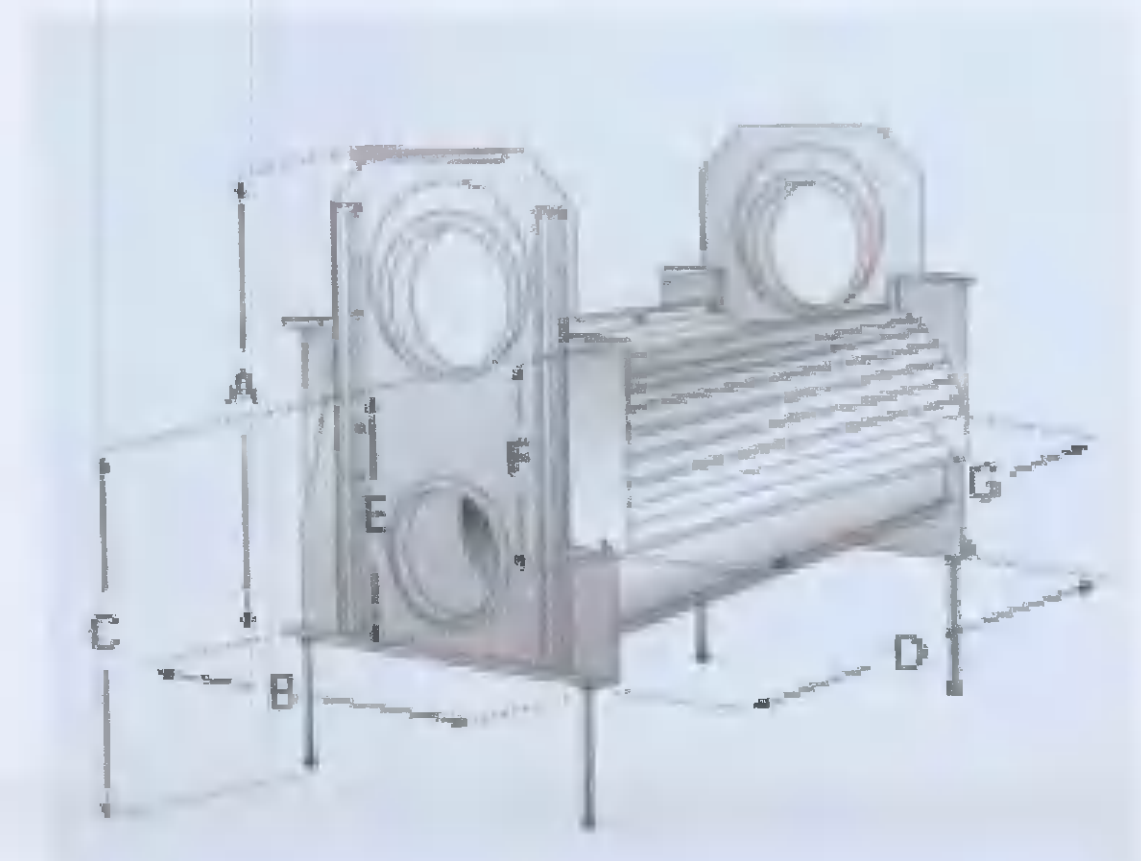
**DETAILS OF TYPICAL 15m³ RWHT BY KINGSPAN OR EQUIVALENT**  
SCALE: 1:50

**NOTE**

REFER TO DRAWING DOBA1446-C-003 & C-004 FOR PROPOSED SURFACE WATER DRAINAGE LAYOUTS

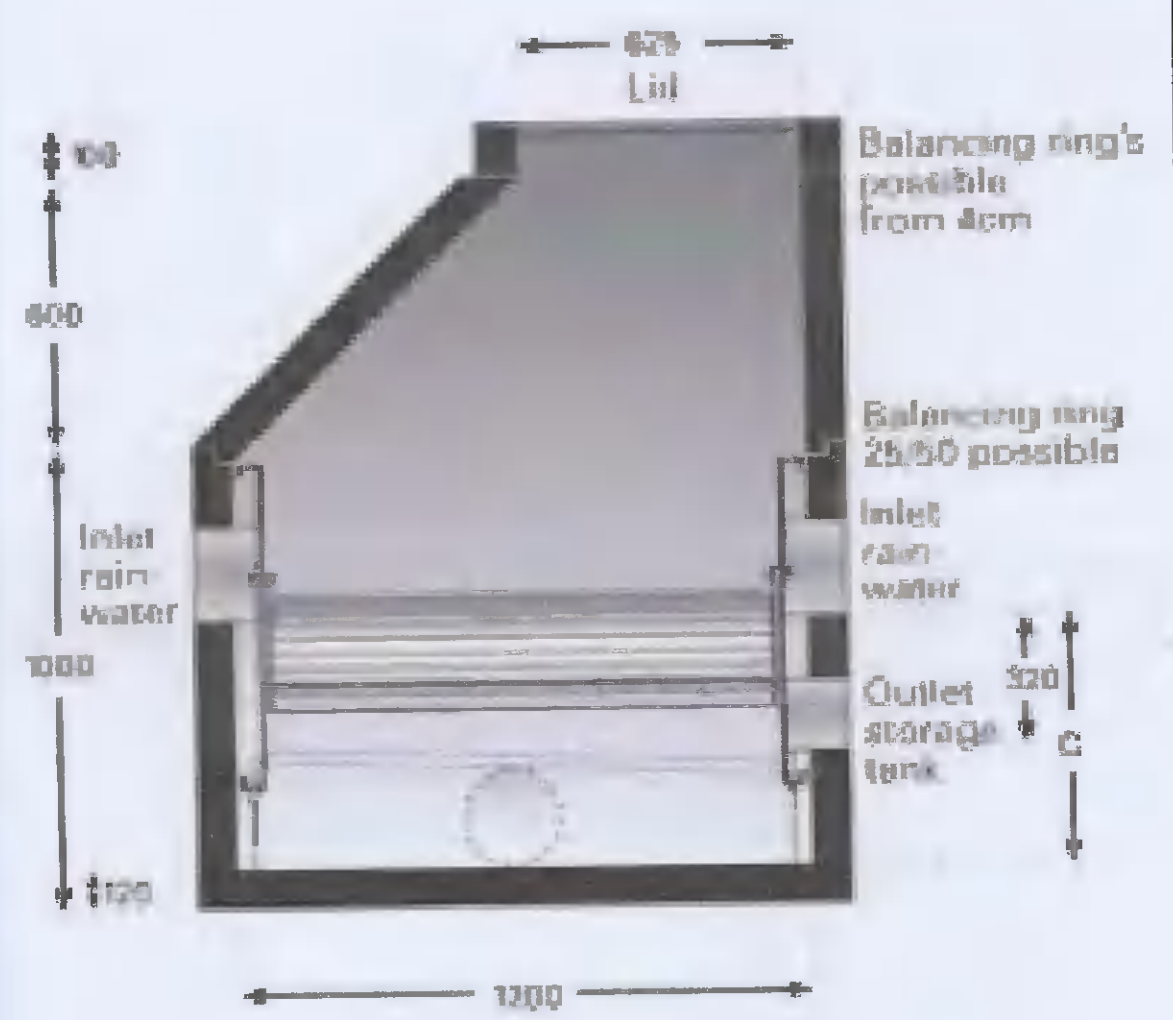


**TYPICAL PLAN - PETROL INTERCEPTOR NSFA080 KLARGESTER OR EQUIVALENT**  
SCALE: NTS



- A 670 mm
- B 650 mm
- C 575 mm
- D 980 mm
- E 320 mm
- F 275 mm
- G 880 mm

**TYPICAL LEAF FILTER**  
SCALE: NTS



**ISSUED FOR PLANNING**

S4.P01	ISSUED FOR PLANNING	15.02.2022	TN	RK
Rev.	Note	Date	Drawn	Check

**DONNACHADH O'BRIEN & ASSOCIATES CONSULTING ENGINEERS**

UNIT 5C  
ELM HOUSE  
MILLERSHUM PARK  
NAAS  
CO. KILDARE

PHONE  
+353 45 984 042  
INFO@DOBRIEN-ENGINEERS.IE  
WWW.DOBRIEN-ENGINEERS.IE

Client: DUBLIN & DUN LAOGHAIRE ETB				
Project: LUCAN COMMUNITY COLLEGE				
Drawing Title: TYPICAL SITEWORKS DETAILS SHEET 2 OF 2				
Drawn By: RR	Checked By: RK	Approved By: DOB	Date: 19.09.2016	Scale: AS SHOWN
Project Number: DOBA1446		Drawing Number: LCC-DOB-XX-SI-DR-C-0016		Status Code: S4
Sheet Size: A1			Rev Number: P01	