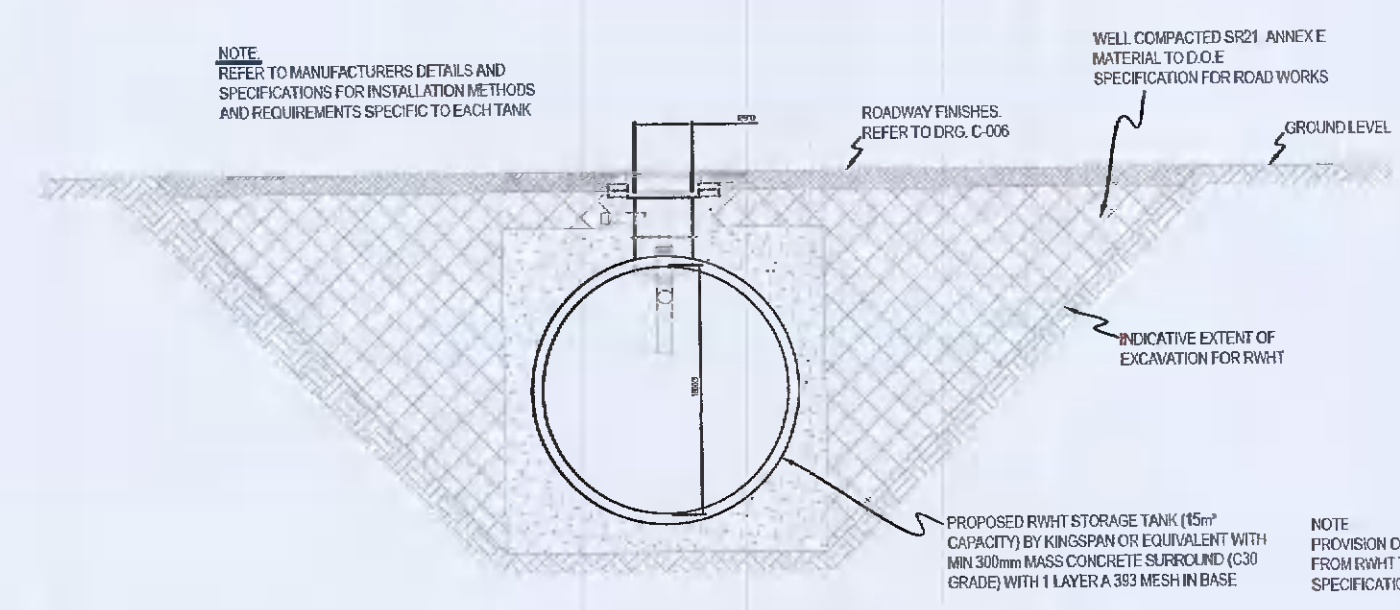
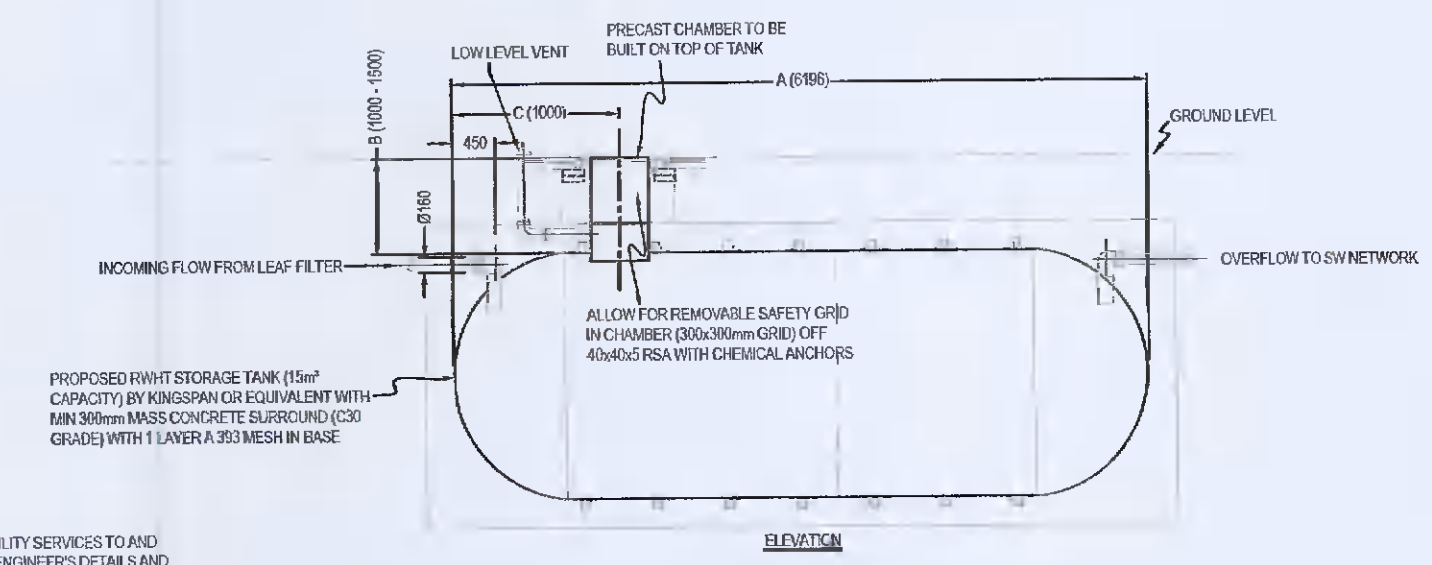


- GENERAL NOTES:**
- FOR STANDARD DOBA NOTES REFER TO DRAWING DOBA1529 S-0011 & S-0012
 - THIS DRAWING IS TO BE READ IN CONJUNCTION WITH ALL OTHER RELEVANT ARCHITECTS & ENGINEERS DRAWINGS AND SPECIFICATIONS
 - USE FIGURED DIMENSIONS ONLY. DO NOT SCALE
 - ALL FFL AND SSL TO BE CONFIRMED BY ARCHITECT
 - ALL DPCs, DPMs, RADON BARRIERS, INSULATION AND ALL WEATHERING DETAILS TO ARCHITECT'S DRAWINGS & SPECIFICATIONS
 - THE CONTRACTOR SHALL VERIFY ALL DIMENSIONS AND LEVELS WITH ARCHITECTURAL DRAWINGS PRIOR TO START OF CONSTRUCTION. ANY DISCREPANCIES TO BE NOTIFIED TO THE ENGINEER & ARCHITECT FOR RESOLUTION

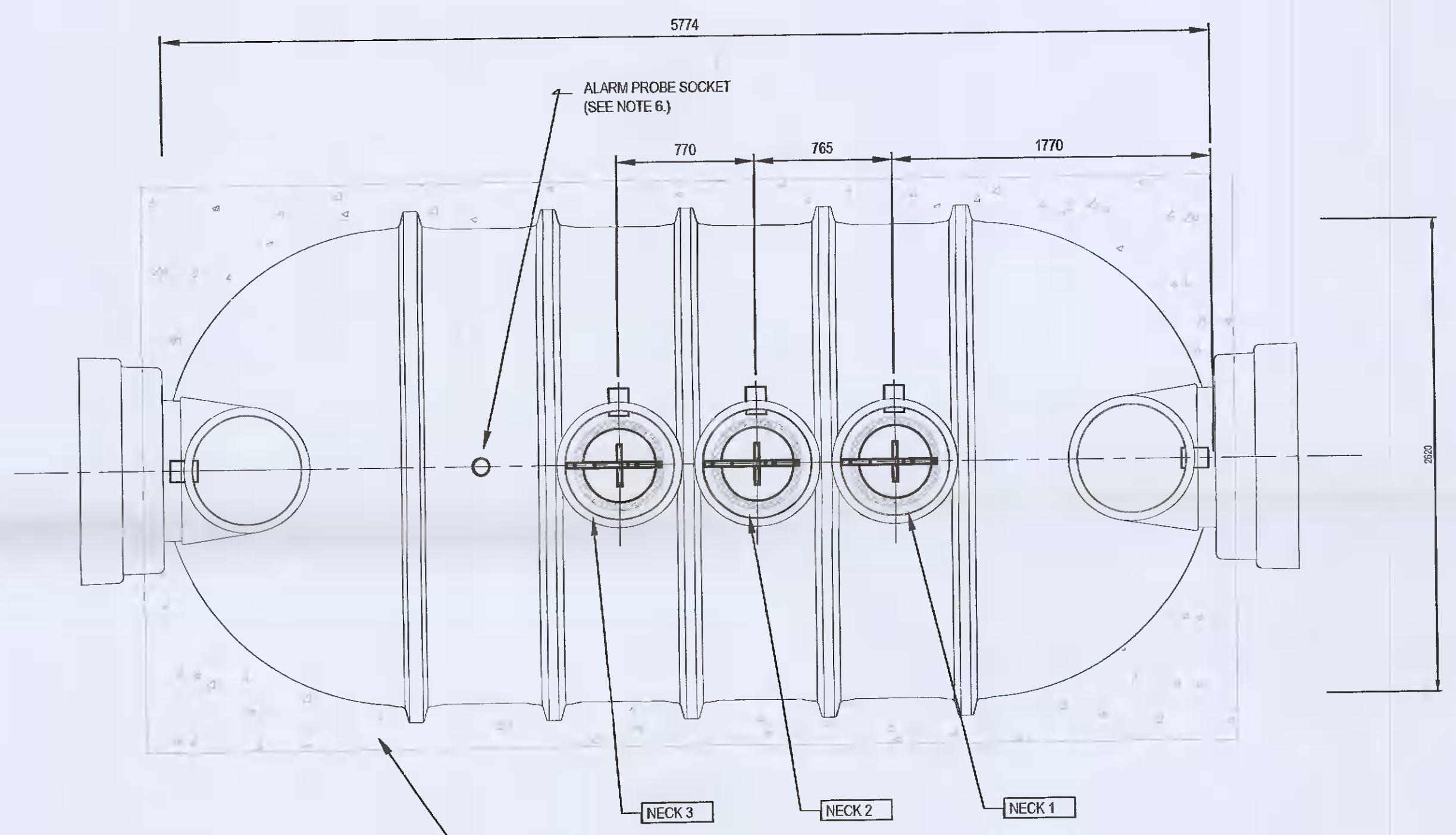


SECTION THROUGH TYPICAL PROPOSED RAINWATER HARVESTING TANK
SCALE: 1:50

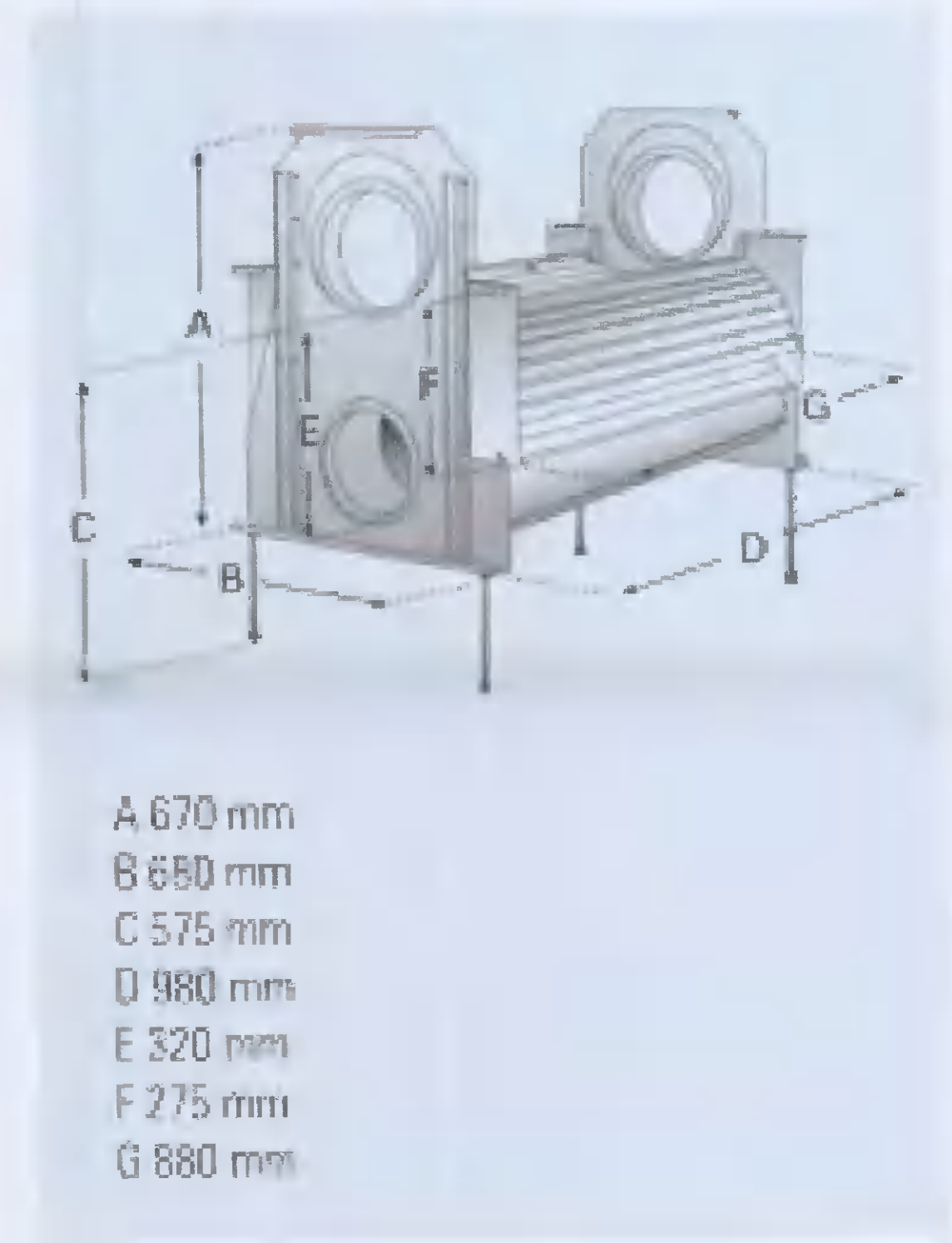


DETAILS OF TYPICAL 15m³ RWHT BY KINGSPAN OR EQUIVALENT
SCALE: 1:50

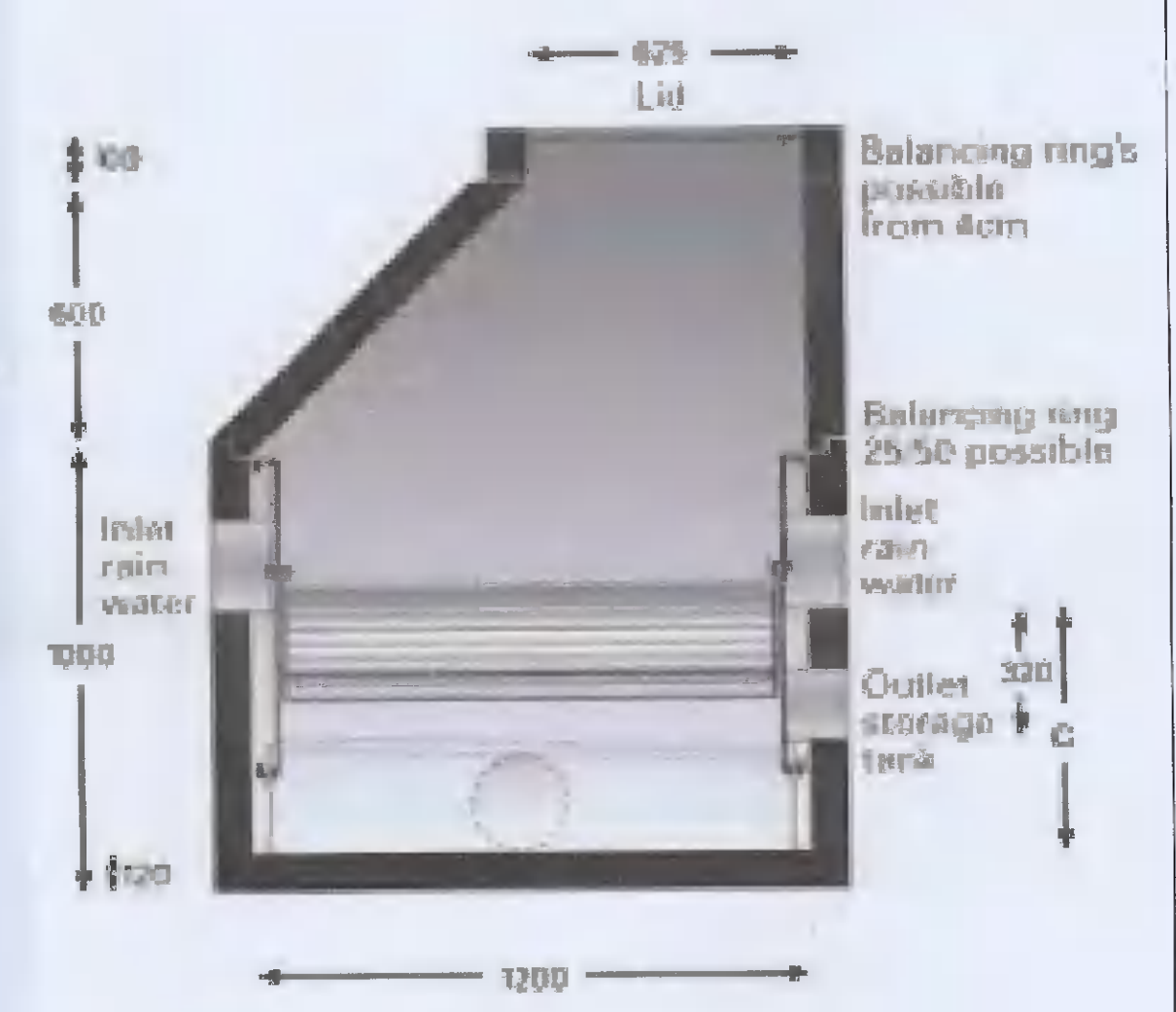
!NOTE
REFER TO DRAWING DOBA1446-C-003 & C.004 FOR PROPOSED SURFACE WATER DRAINAGE LAYOUTS



TYPICAL PLAN - PETROL INTERCEPTOR NSFA080 KLARGESTER OR EQUIVALENT
SCALE: NTS



TYPICAL LEAF FILTER
SCALE: NTS



ISSUED FOR PLANNING

S4.P01	ISSUED FOR PLANNING	15.02.2022	TN	RK
Rev.	Note	Date	Drawn	Check
DONNACHADH O'BRIEN & ASSOCIATES CONSULTING ENGINEERS		UNIT 5C ELM HOUSE MILLENNIUM PARK NAAS CO. KILDARE	PHONE: +353 45 984 042 INFO@DOBRIEN-ENGINEERS.IE WWW.DOBRIEN-ENGINEERS.IE	
Client: DUBLIN & DUN LAOGHAIRE ETB				
Project: LUCAN COMMUNITY COLLEGE				
Drawing Title: TYPICAL SITEWORKS DETAILS SHEET 2 OF 2				
Drawn By: RR	Checked By: RK	Approved By: DOB	Date: 19.09.2016	Scale: AS SHOWN
Project Number: DOBA1446		Drawing Number: LCC-DOB- XX-SI- DR-C-0016		Status Code: S4
				Rev Number: P01