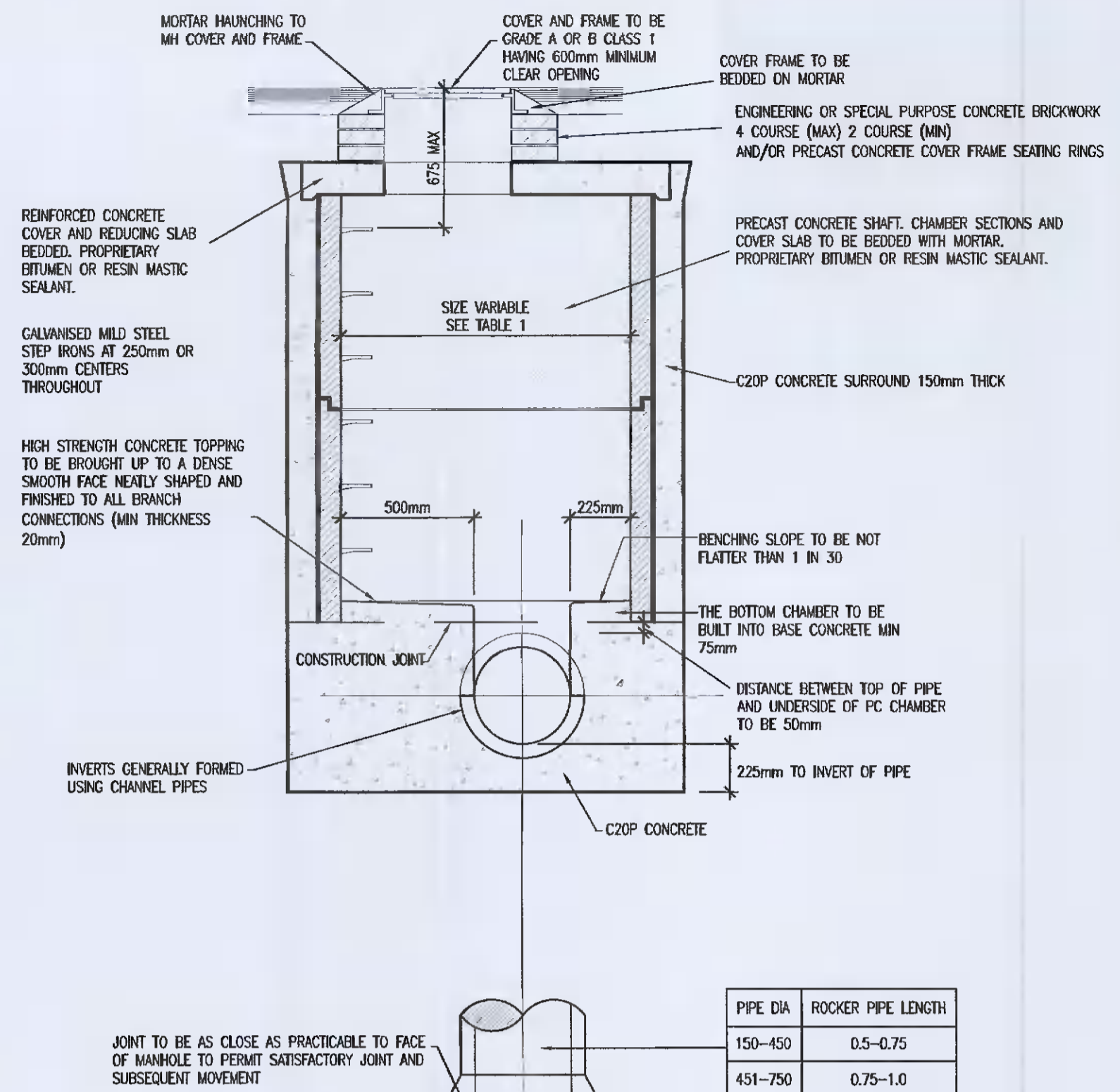
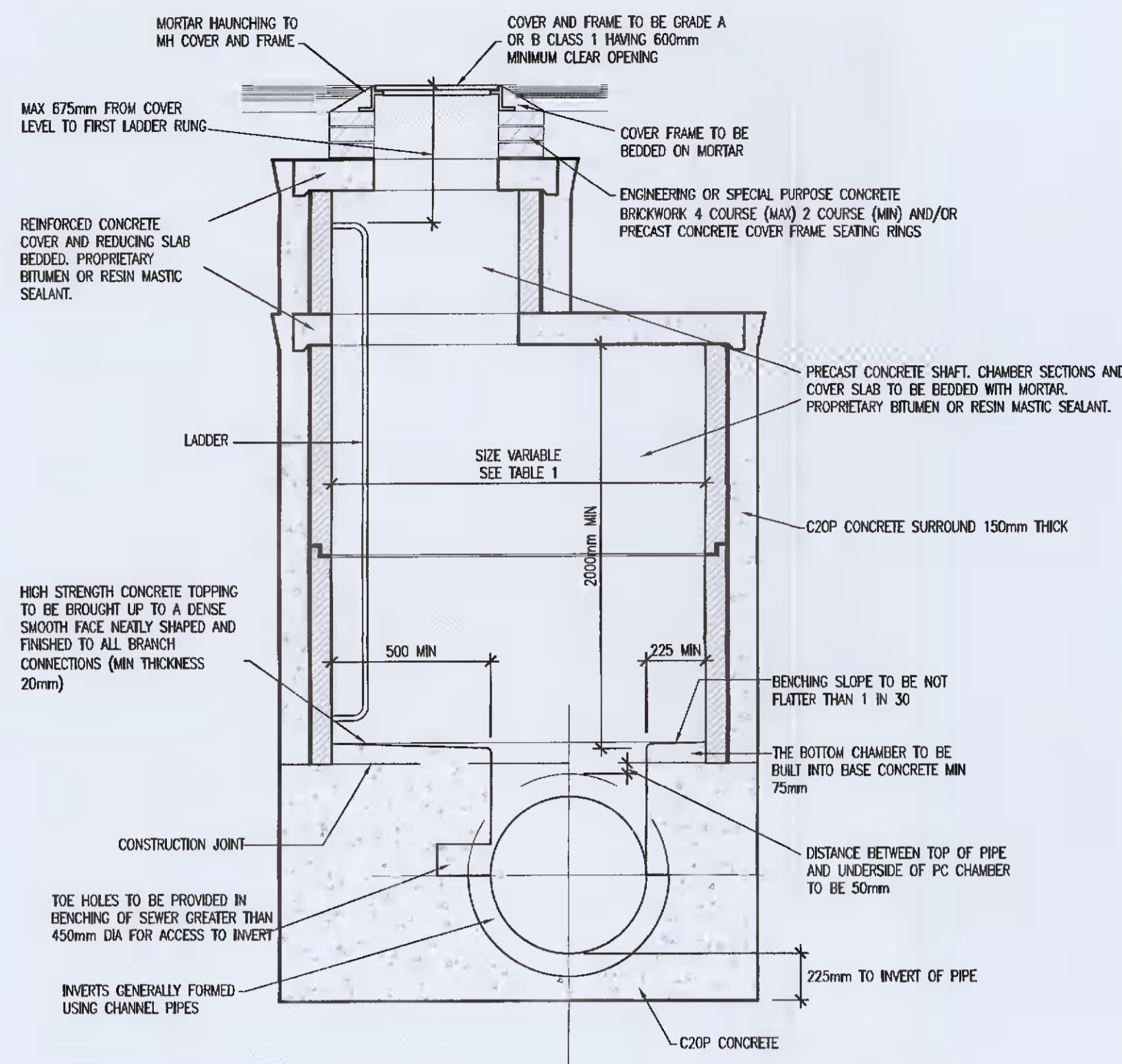


GENERAL NOTES:

1. THIS DRAWING IS TO BE READ IN CONJUNCTION WITH ALL OTHER RELEVANT ARCHITECT'S & ENGINEER'S DRAWINGS AND SPECIFICATIONS
2. USE FIGURED DIMENSIONS ONLY. DO NOT SCALE
3. ALL FFL AND SSL TO BE CONFIRMED BY ARCHITECT
4. ALL DPC'S, DPM'S, RADON BARRIERS, INSULATION AND ALL WEATHERING DETAILS TO ARCHITECT'S DRAWINGS & SPECIFICATIONS
5. THE CONTRACTOR SHALL VERIFY ALL DIMENSIONS AND LEVELS WITH ARCHITECTURAL DRAWINGS PRIOR TO START OF CONSTRUCTION. ANY DISCREPANCIES TO BE NOTIFIED TO THE ENGINEER & ARCHITECT FOR RESOLUTION
6. REFER TO ARCHITECTURAL DRAWINGS FOR ALL SITE & APPLICATION BOUNDARIES



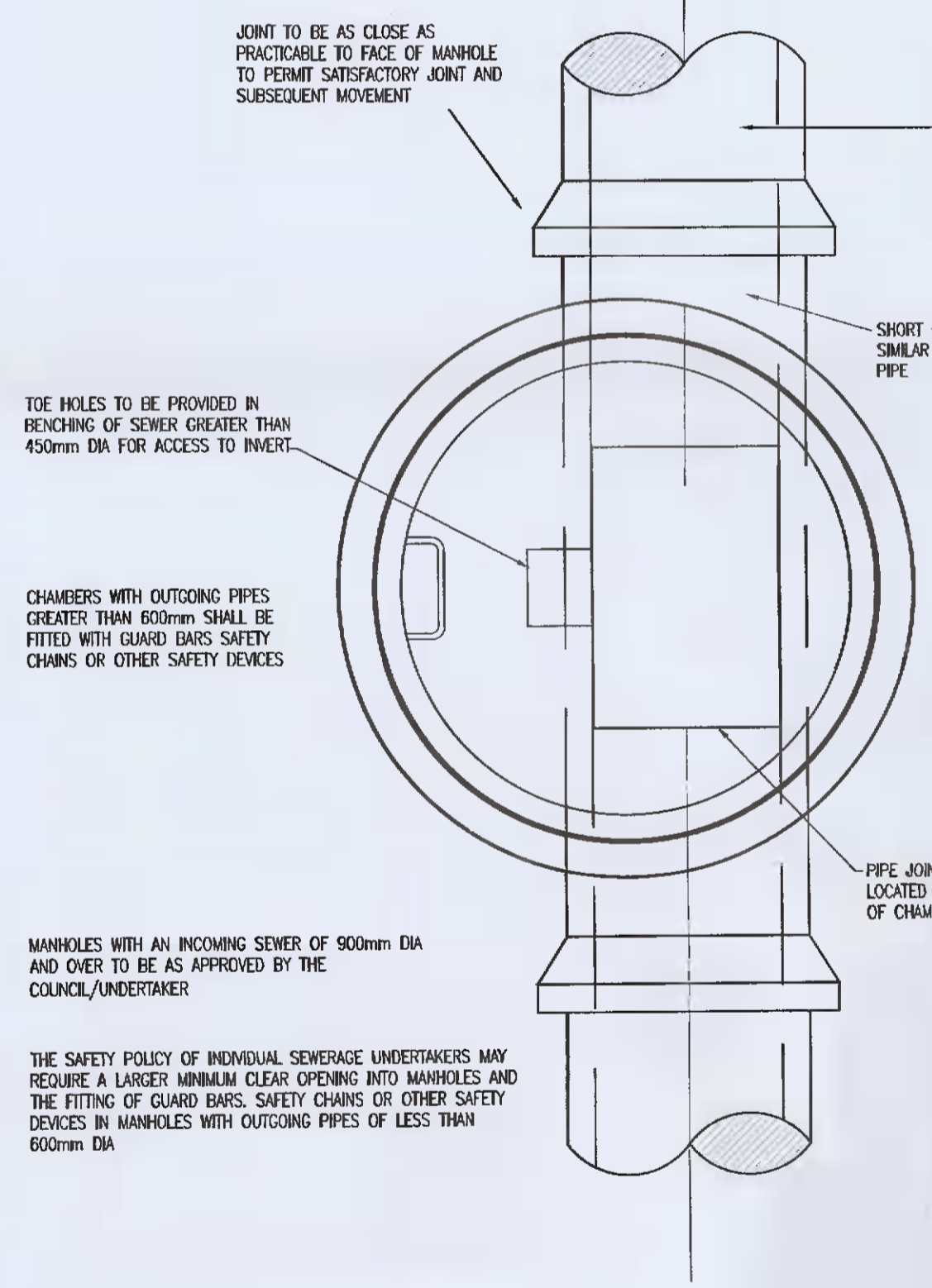
PIPE DIA	ROCKER PIPE LENGTH
150-450	0.5-0.75
451-750	0.75-1.0
750	SEE GUIDANCE

TYPE 2 GRANULAR MATERIAL:

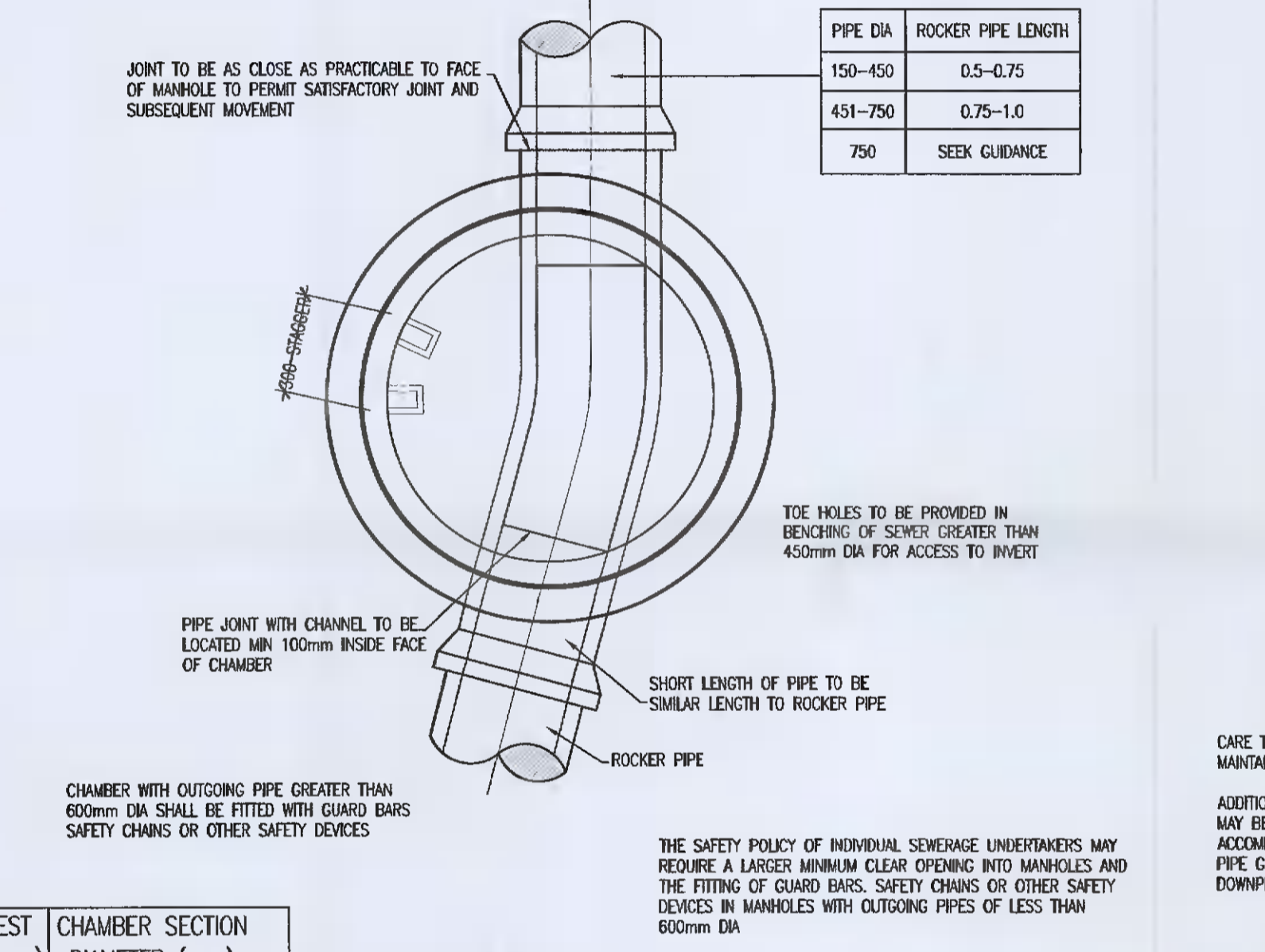
PIPE SIZE	100% PASSING
UP TO 225mm	10mm SIEVE
225 TO 450mm	20mm SIEVE
ABOVE 450mm	25mm SIEVE

DIAMETER OF LARGEST PIPE IN MANHOLE (mm)	CHAMBER SECTION DIAMETER (mm)
LESS THAN 375	1200 (1050 WHERE DEPTH TO SOFFIT IS 1.35m - 1.5m)
375 - 450	1350
500 - 700	1500
750 - 900	1800

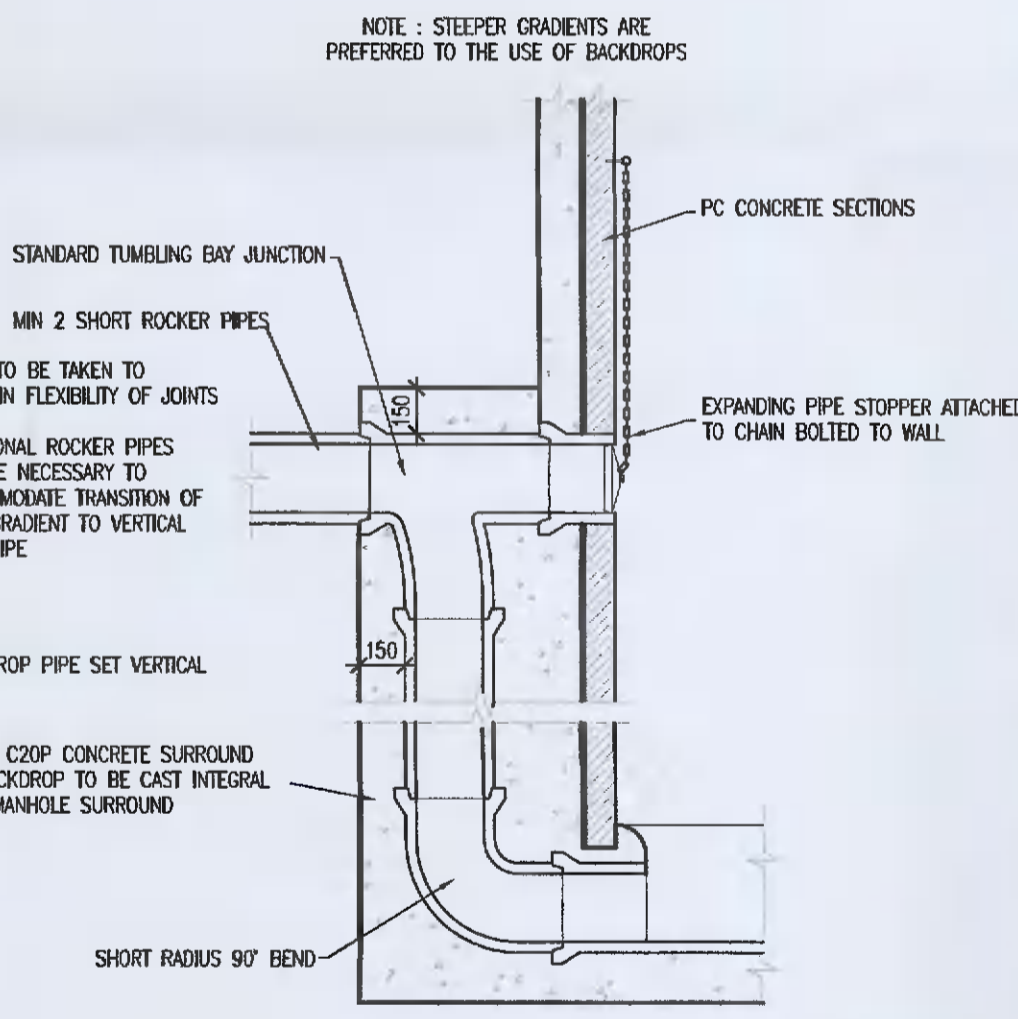
TYPICAL MANHOLE DETAIL -- TYPE B
DEPTH TO SOFFIT 1.35 TO 3m
SCALE 1:25



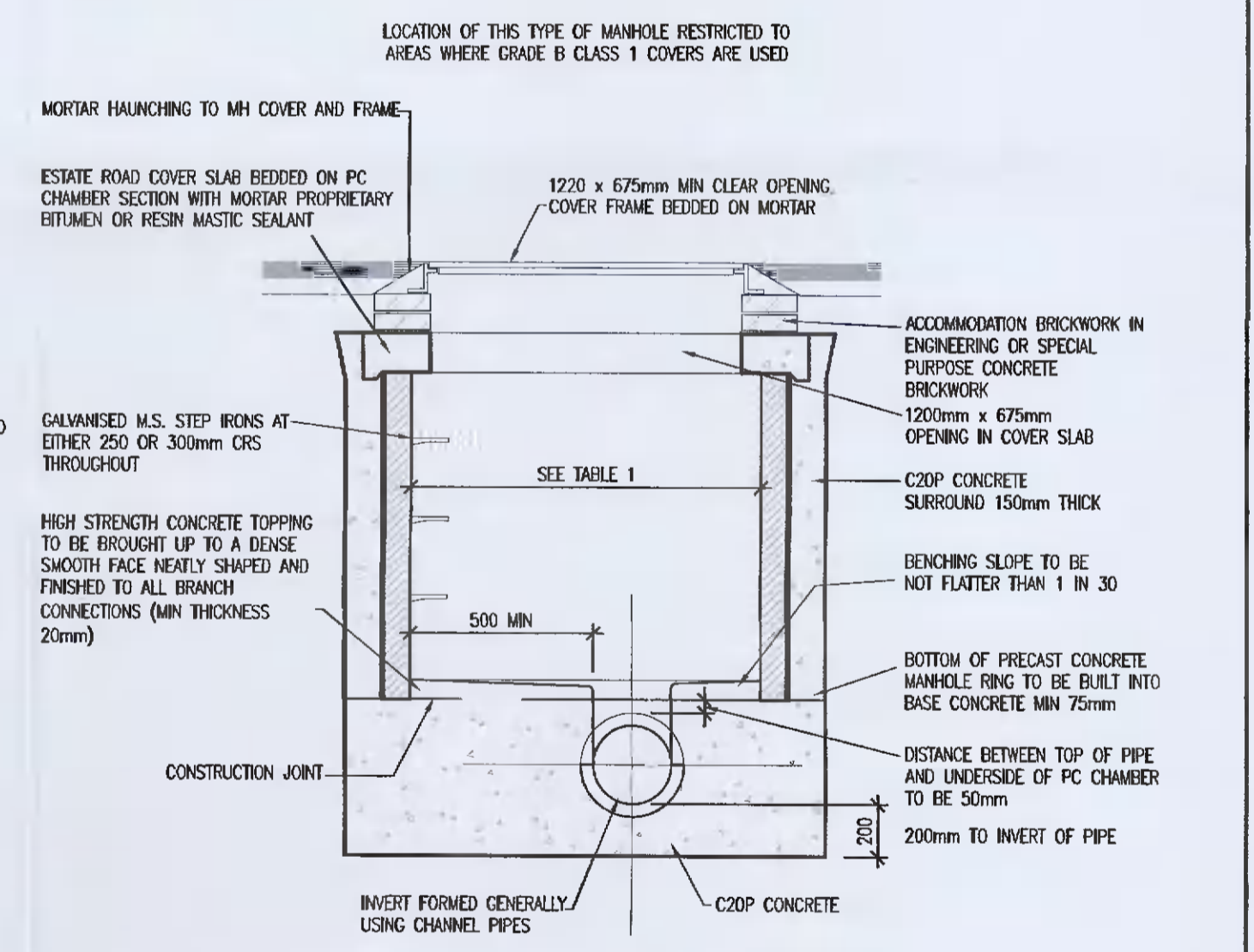
TYPICAL MANHOLE DETAIL -- TYPE A
DEPTH TO SOFFIT 3 TO 6m
SCALE 1:25



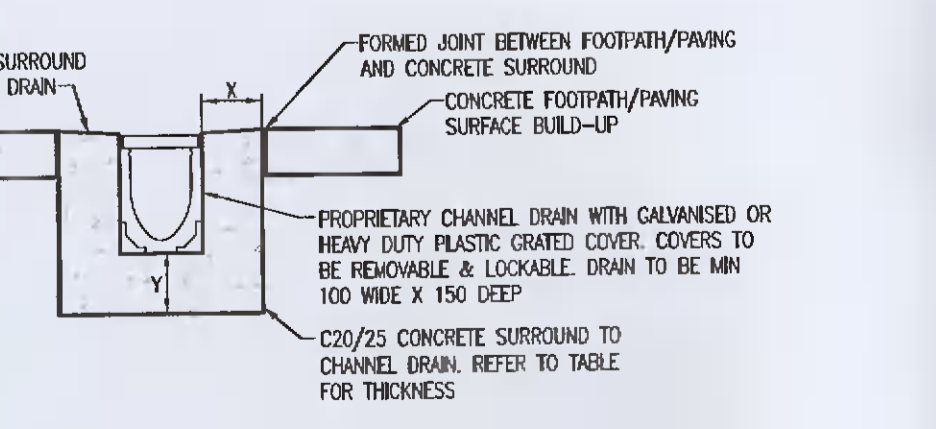
TYPICAL MANHOLE DETAIL -- TYPE B
DEPTH TO SOFFIT 1.0 TO 1.35m
SCALE 1:25



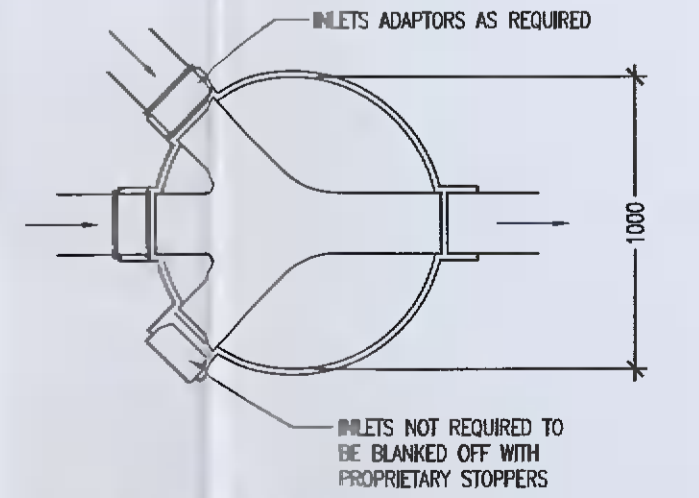
TYPICAL VERTICAL BACKDROP DETAIL
SCALE 1:25



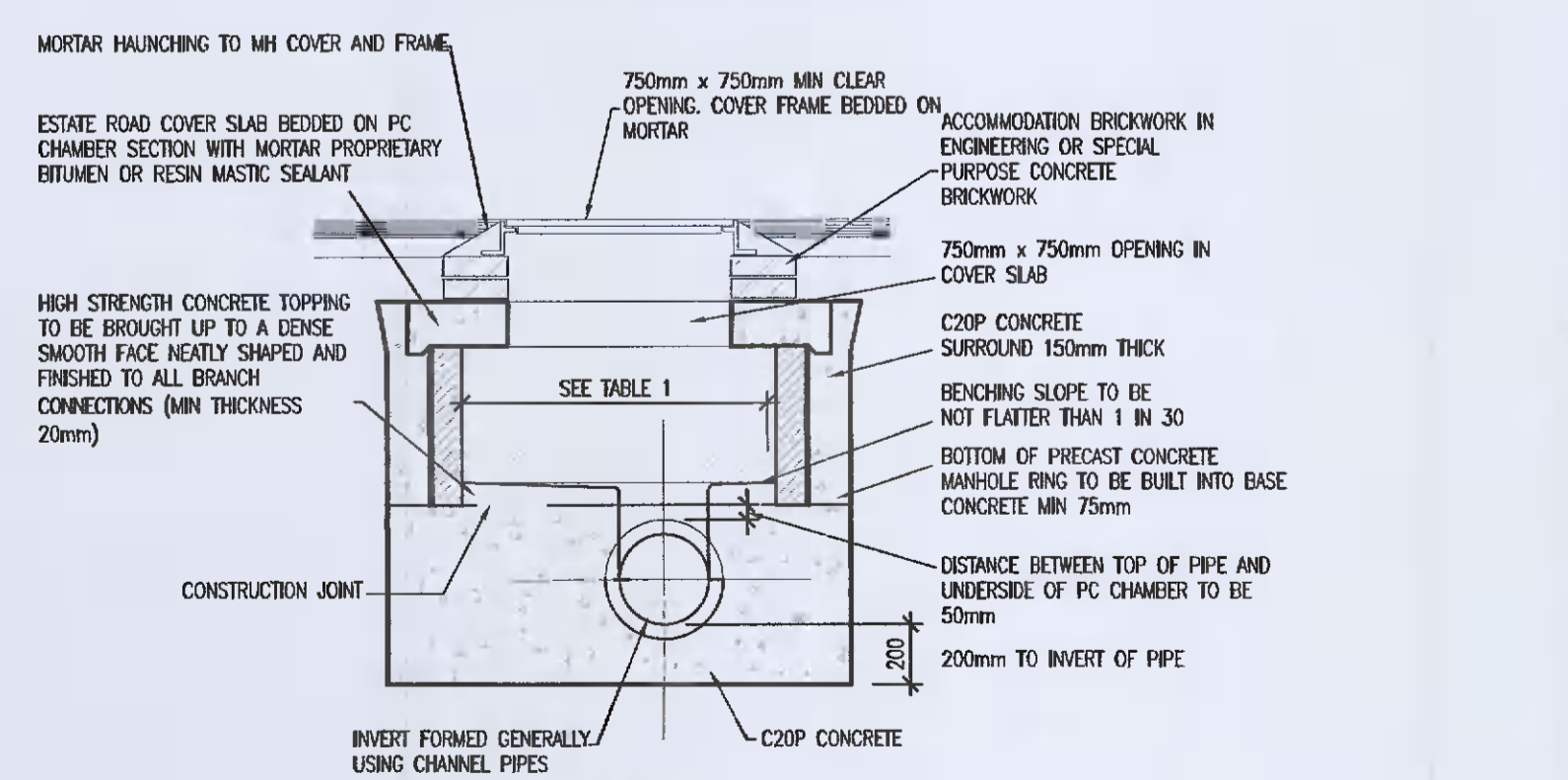
TYPICAL MANHOLE DETAIL -- TYPE E
DEPTH TO SOFFIT 1.0 TO 1.35m
SCALE 1:25



TYPICAL CHANNEL DRAIN
SCALE 1:25



TYPICAL INSPECTION CHAMBER
SCALE 1:25



TYPICAL MANHOLE DETAIL -- TYPE F
DEPTH TO SOFFIT LESS THAN 1.0m
SCALE 1:25

1. ALL SEWERS SHALL BE PRESSURE TESTED PRIOR TO BACKFILLING
2. TYPE 1 GRANULAR MATERIAL: BROKEN STONE OR GRAVEL TO PASS 10mm SIEVE AND BE RETAINED ON 5mm SIEVE.
3. TYPE 2 GRANULAR MATERIAL: BROKEN STONE OR GRAVEL TO PASS 10mm - 25mm SIEVE, ACCORDING TO PIPE SIZE, (SEE TABLE) AND BE RETAINED ON 5mm SIEVE.
4. TYPE 3 SELECTED FILL: UNIFORM READILY COMPACTED MATERIAL FREE FROM TREE ROOTS, VEGETABLE MATTER, BUILDING DEBRIS, AND FROZEN SOIL AND EXCLUDING CLAY LUMPS RETAINED ON A 75mm SIEVE AND STONES RETAINED ON A 37.5mm SIEVE.
5. RIGID PIPES SHALL MEAN CAST OR SPUN IRON, CONCRETE OR CLAY.

CONCRETE SURROUND THICKNESS				
LOAD CLASS	A15	B125	C250	D400
MINIMUM DIMENSIONS (mm)	X	100	150	200
	Y	100	150	200

PLANNING ISSUE

S4.P01	ISSUED FOR PLANNING	15.02.2022	TN	RK
Rev.	Note	Date	Drawn	Check

DONNACHADH O'BRIEN & ASSOCIATES CONSULTING ENGINEERS

UNIT 5C
ELM HOUSE
MILLIKEN'S PARK
NAAS
CO. KILDARE

PHONE: +353 45 984 042
INFO@DOBRIEN-ENGINEERS.IE
WWW.DOBRIEN-ENGINEERS.IE

Client:	DUBLIN & DUN LAOGHAIRE ETB										
Project:	LUCAN COMMUNITY COLLEGE										
Drawing Title:	TYPICAL MANHOLE DETAILS										
Drawn By:	RR	Checked By:	TN	Approved By:	DOB	Date:	28.08.2016	Scale:	1:25	Sheet Size:	A1
Project Number:	DOBA1446	Drawing Number:	LCC-DOB- XX-SI- DR-C-0013	Status Code:	S4	Rev Number:	P01				