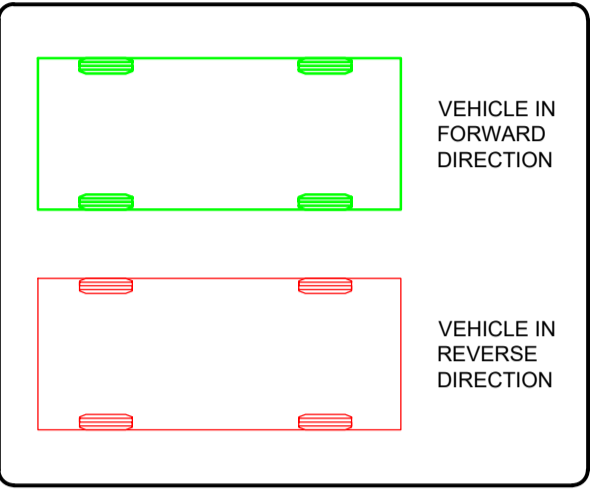
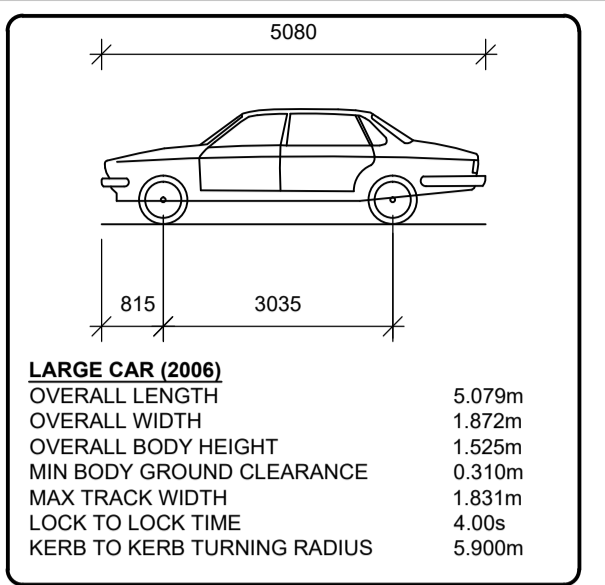


GREENHILLS ROAD

**SWEPT PATH ANALYSIS  
LARGE CAR**  
SCALE 1:500



**NOTES:**  
 REFER TO DWG. 20189-LDE-ZZ-00-DR-SC-1C03 AND 20189-LDE-ZZ-00-DR-SC-3C04 FOR ROAD LAYOUT, DETAILS AND LEGEND

**LEGEND:**

- RAISED TABLE TO PROMOTE LOWER SPEEDS WITHIN THE DEVELOPMENT IN ACCORDANCE WITH CLAUSE 4.4.7 OF DESIGN MANUAL FOR URBAN ROADS AND STREETS (DMURS) [Symbol]
- RUS 027 STOP SIGN IN ACCORDANCE WITH TRAFFIC SIGN MANUAL [Symbol]
- TACTILE PAVING IN ACCORDANCE TO DESIGN MANUAL FOR URBAN ROADS AND STREETS (DMURS) AND TRAFFIC MANAGEMENT GUIDELINES (2003) [Symbol]
- DENOTES EXISTING CYCLE TRACK [Symbol]
- PROPOSED 2.0m WIDE CYCLE TRACK IN ACCORDANCE TO THE NATIONAL CYCLING AND TRAFFIC SIGN MANUALS [Symbol]
- PROPOSED 2.0m WIDE FOOTPATHS ALONG THE SOUTHERN AND NORTHERN SITE BOUNDARIES [Symbol]
- 6.0m WIDE INTERNAL ACCESS ROADS [Symbol]
- DISABLED CAR PARKING SPACE, IN ACCORDANCE WITH DIAGRAM 8 OF BUILDING REGULATIONS 2010, TECHNICAL GUIDANCE DOCUMENT M [Symbol]
- OTHER INTERNAL PEDESTRIANIZED AREAS SHOWN IN DETAIL ON DRAINAGE INFRASTRUCTURE DRAWINGS "20189-LDE-07-00-DR-SC-1C01a-c" [Symbol]
- GRASSED AREAS [Symbol]
- REINFORCED GRASSED AREAS [Symbol]
- PROPOSED SHARED SURFACE AREA [Symbol]
- DESIGNATED 'GOCAR' PARKING SPACE [Symbol]
- DESIGNATED EV CHARGING PARKING SPACES [Symbol]
- DENOTES POTENTIAL PROVISION FOR EV CHARGING PARKING SPACES [Symbol]
- EXISTING GROUND LEVELS /CONTOURS [Symbol]
- SITE BOUNDARY [Symbol]

Rev	Date	Drn	Chk'd	Description
P1	08/03/2022	E.V	G.P	Issued for Stage 3 SHD Planning
P	28/05/2021	D.M	G.P	Issued for Stage 2 SHD Planning

**LOHAN & DONNELLY**  
 Consulting Engineers  
 13 Gardiner Place, Mountjoy Square, Dublin 1. T: 01 8787770  
 W: www.lohan-donnelly.com E: info@lohan-donnelly.com

**Green Vale Greenhills**

Project:	Residential Development at Greenhills Road, Walkinstown, Dublin 12	Project No:	20189	Dwg. No:	C07
Scale:	@A1	Date:	Apr. 2021	Drawn:	D.M
Model Reference:	20189-LDE-ZZ-M2-SC-0003	Model Rev.:	P01	Rev.:	P1
Drawing Reference:	20189-LDE-ZZ-00-DR-SC-1C07	Suitability:	S01		