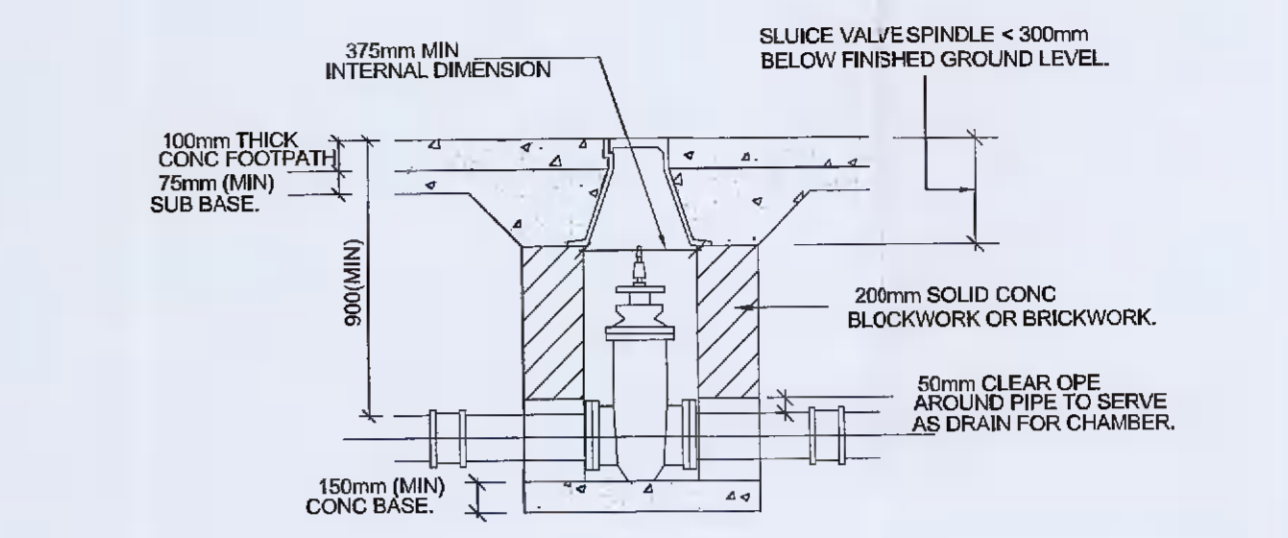
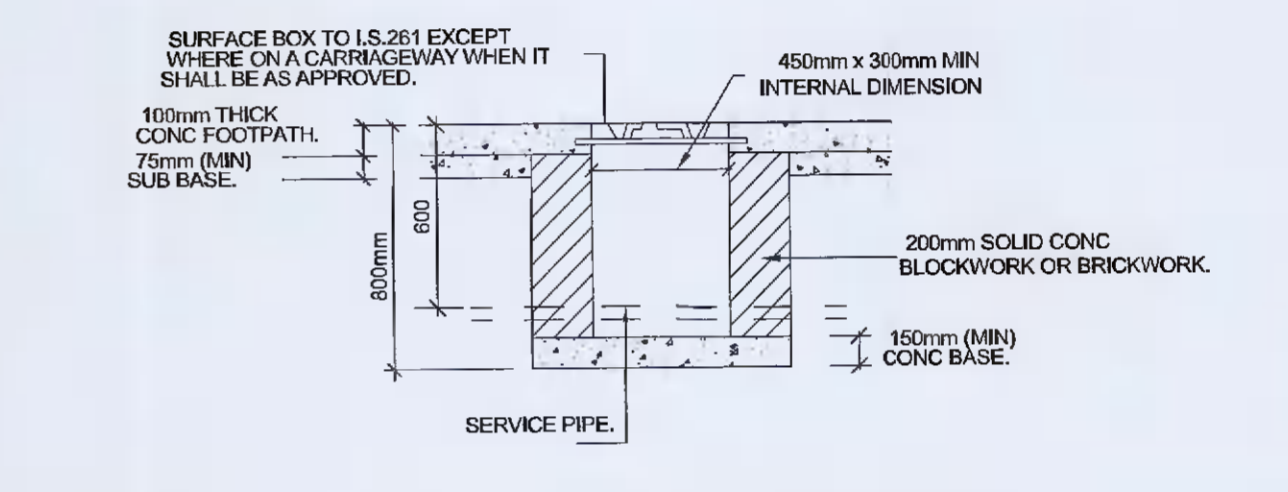


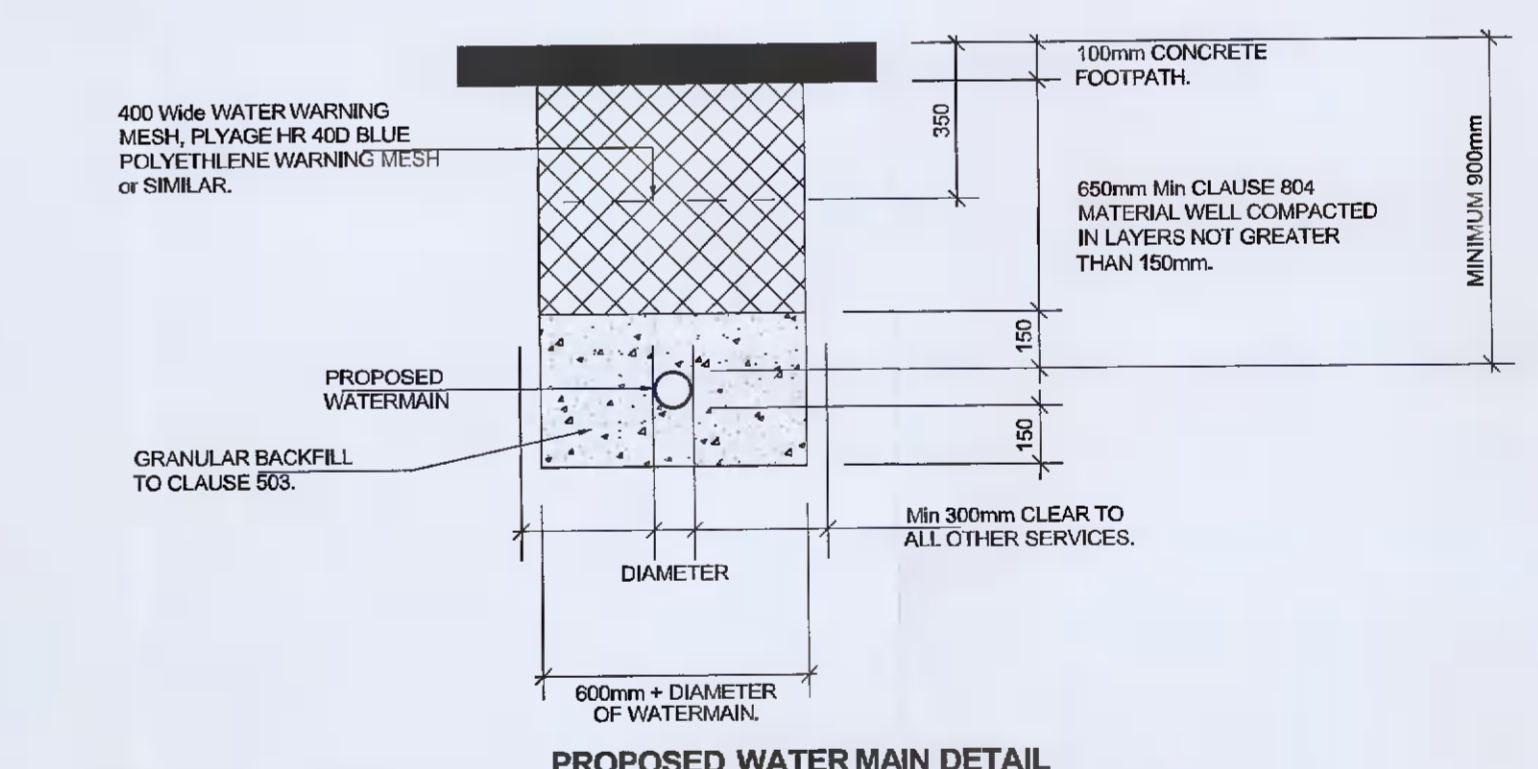
HYDRANT DETAIL (TYP.)



SLUICE VALVE DETAIL (TYP.)



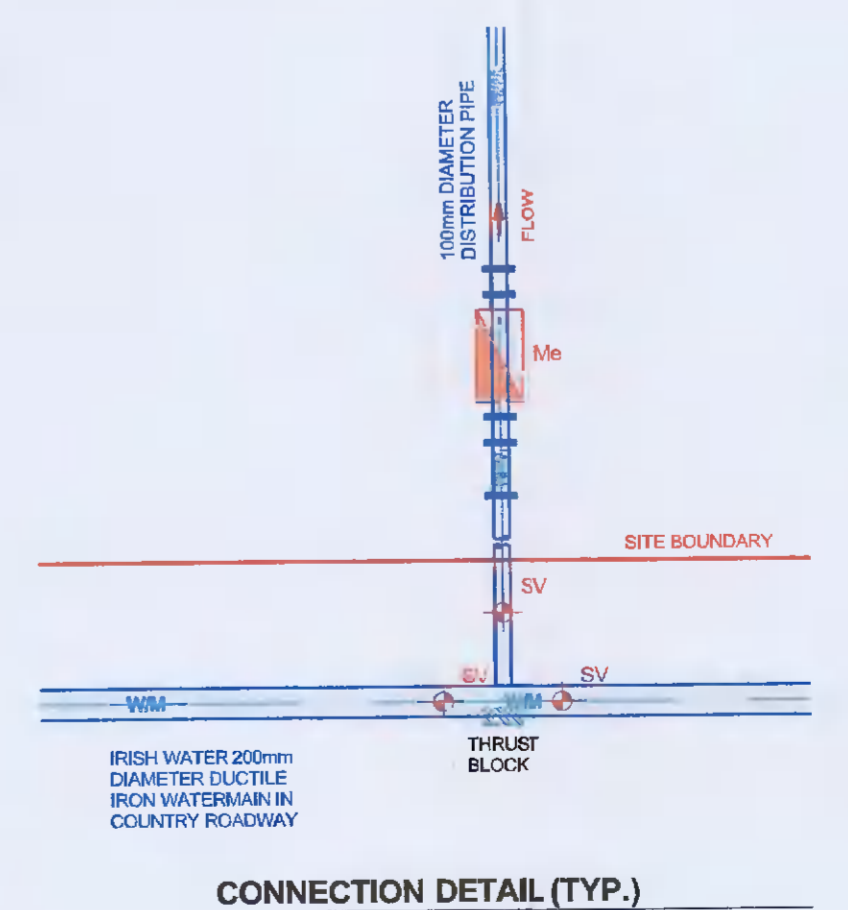
WATERMETER CHAMBER DETAIL (TYP.)



PROPOSED WATER MAIN DETAIL

WATER COLOUR CODE

PROPOSED NEW 100mm DIA WATERMAIN



CONNECTION DETAIL (TYP.)

Status **PLANNING**

GENERAL NOTES

- This Drawing is to be read in conjunction with all the Engineer's and Architect's Drawings and Specifications.
- Do Not Scale. Use Figured Dimensions Only. Refer to the Architects Drawings for all setting out dimensions.
- All Dimensions To Be Checked on-site. Engineer and Architect to be informed immediately of any discrepancies between the condition/ situation on site and that assumed on the Project Design Drawings.
- IF IN DOUBT ASK.

NOTES :-

- WATERMAIN PIPES SHALL BE :
(a) UNPLASTICISED PVC PIPE CLASS C COMPLYING WITH I.S. 123 (MAX. DIAMETER 150mm).
(b) DUCTILE IRON PIPES CAST & SPUN COMPLYING WITH B.S. 4712.
(c) BLUE POLYETHYLENE PIPE TYPE 50 COMPLYING WITH I.S. 135.
- SERVICE PIPES SHALL HAVE A MINIMUM 12mm INTERNAL DIAMETER & SHALL BE ONE OF THE FOLLOWING TYPES, UNLESS OTHERWISE APPROVED:
(a) ANNEALED COPPER COMPLYING WITH B.S. 2871 PART 1, TABLE V.
(b) POLYETHYLENE PIPE TYPE 32 COMPLYING WITH I.S. 134 HEAVY GAUGE.
(c) POLYETHYLENE PIPE TYPE 50 COMPLYING WITH I.S. 135. FITTINGS & SPECIALS SHALL BE APPROVED BY ENGINEER.
- WATERMAIN PIPES SHALL BE LAID ON SAND BED & COVERED WITH 150mm SIMILAR MATERIAL. MINIMUM COVER TO WATERMAIN PIPE SHALL BE 900mm. BACK FILL MATERIAL UP TO ROAD LEVEL SHALL CONSIST OF HARD CORE OR GRAVEL MATERIAL APPROVED BY ENGINEER.
- SERVICE PIPES SHALL HAVE A MINIMUM COVER OF 600mm.
- CONCRETE ANCHOR BLOCKS SHALL BE PROVIDED ON WATERMANS AT DEAD ENDS, TEES, BENDS OF GREATER CURVATURE THAN 22.5° AND AT BOTH SIDES OF A SLUICE VALVE CHAMBER. ANCHOR BLOCKS SHALL ENCASE THE PIPE IN CONCRETE TO A MINIMUM THICKNESS OF 150mm ALL ROUND & SHALL BE A MINIMUM LENGTH OF 600mm.
- STOPCOCKS. STOPCOCKS COMPLYING WITH B.S. 1010 SHALL BE PROVIDED ON EACH SERVICE PIPE. STOPCOCKS SHALL BE LOCATED IN FOOTPATH FRONTING THE PROPERTY BEING SERVED. THE DEPTH OF THE STOPCOCK SPINDLE SHALL NOT EXCEED 200mm.
- SLUICE VALVES. SLUICE VALVES SHOULD BE DOUBLE FLANGED, DUCTILE IRON RESILIENT SEAL VALVES FOR WATER DIVISION PURPOSES & SHALL COMPLY WITH THE RELEVANT REQUIREMENTS OF B.S. 5163 :1986. THE DEPTH OF THE SLUICE VALVE SPINDLE CAP BELOW FINISHED GROUND LEVEL SHALL NOT EXCEED 300mm. FOR DEPTHS GREATER THAN 300mm EXTENSION SPINDLE (WITH GUIDES BUILT INTO THE CHAMBER @ 450 CRS.) SHALL BE SECURELY FIXED TO THE SLUICE VALVE SPINDLES.
- HYDRANTS. HYDRANTS MUST BE THE SCREW DOWN VALVE UNDERGROUND "GUIDE IN HEAD" TYPE, WITH BAYONET LUG OUTLETS & FALSE SPINDLE CAP, COMPLYING WITH B.S. 750. THE DEPTH OF THE HYDRANT OUTLET SHALL NOT EXCEED 300mm BELOW GROUND LEVEL. THE HYDRANT VALVE MUST OPEN ANTI-CLOCKWISE. HYDRANT LOCATIONS MUST CONFORM TO THE REQUIREMENTS OF THE CHIEF FIRE OFFICER.
- INDICATOR PLATES & MARKER POSTS. HYDRANTS, AIR VALVES AND SLUICE VALVES SHALL BE LOCATED BY INDICATOR PLATES POSITIONED TO THE APPROVAL OF THE LOCAL AUTHORITY. HYDRANT INDICATOR PLATES SHALL BE SINGLE HYDRANT INDICATOR PLATES WITH FIXED BLACK LETTERS COMPLYING WITH B.S. 3251 EXCEPT THAT THE PLATES SHALL CONFORM TO COLOUR REFERENCE No. 309 (CANARY YELLOW) IN B.S. 381 C. AIR VALVE & SLUICE VALVE INDICATOR PLATES SHALL COMPLY WITH THE SPECIFICATION FOR SINGLE HYDRANT INDICATOR PLATES WITH FIXED LETTERS IN B.S. 3251 EXCEPT THAT THEY SHALL BE COLOURED WHITE & INSTEAD OF THE LETTER H, SHALL BEAR THE LETTERS A.V. & S.V. AS APPROVED. WHERE MARKER POSTS ARE USED THEY SHALL BE CONCRETE COMPLYING WITH I.S. 162.
- WARNING MESH. ALL PIPEWORK SHALL HAVE 400mm WIDE WATER WARNING MESH - PLYAGE HR 400 BLUE POLYETHYLENE WARNING MESH OR SIMILAR - LAID DIRECTLY OVER THE CENTRELINE OF THE PIPELINE, AT A DEPTH OF 300mm BELOW THE FINISHED GROUND SURFACE. SERVICE PIPES SHALL HAVE A MESH 200mm WIDE LAID AT THE SAME DEPTH.

NR NOTE: ALL PIPEWORK CONNECTIONS, CONCRETE THRUST BLOCKS, FIRE HYDRANTS, SLUICE VALVES, ACCESS CHAMBERS AND ANCILLARY COMPONENTS TO BE STRICTLY IN ACCORDANCE WITH IRISH WATER'S WATER INFRASTRUCTURE STANDARD DETAILS: CONNECTIONS AND DEVELOPER SERVICES DATED JULY 2020 (Rev 4), DOCUMENT REF. IW-CDS-5020-01

P12	ISSUED FOR PLANNING	SCM	24/02/2022
Rev.	Description	by	Date

Drawn By / Date	SCM	FEBRUARY 2022	Approved for Construction by:
Drawing Chk / Date			
Design By / Date	SCE	FEBRUARY 2022	
Design Chk / Date			

* Refer to Suitability "S4" for Original Signatures

SC SEXTON CONSULTING
EG
The Five Roads, Jordanstown, Lusk,
North County Dublin, Ireland, K45 N474
t +353-1-4600999, e connect@scs.ie

Client **CLONDALKIN RUGBY FOOTBALL CLUB LTD**

Architect **CUMMINS & VOORTMAN ARCHITECTS**

Project **CRFC KINGSWOOD RELOCATION
KINGSWOOD FARM MONEENALON
COMMONS LOWER CLONDALKIN D22**

Title **PROPOSED WATERMANS LAYOUT**

Job No. **SC04/21020** Creation **FEBRUARY 2022**

Project Code Originator Volume Level Vm1 Role Number
CRFC - SC - WM - 00 - DR - C - 2004

Suitability	Code	Revision ID
Issued for Planning	S2	P12

THE DRAWING IS COPYRIGHT © ALL RIGHTS RESERVED. NO PART OF THE DRAWING MAY BE REPRODUCED, STORED IN A RETRIEVAL SYSTEM OR TRANSMITTED IN ANY FORM OR BY ANY MEANS WITHOUT THE PRIOR WRITTEN PERMISSION FROM DESIGNER/CLIENT/SCS CONSULTING.