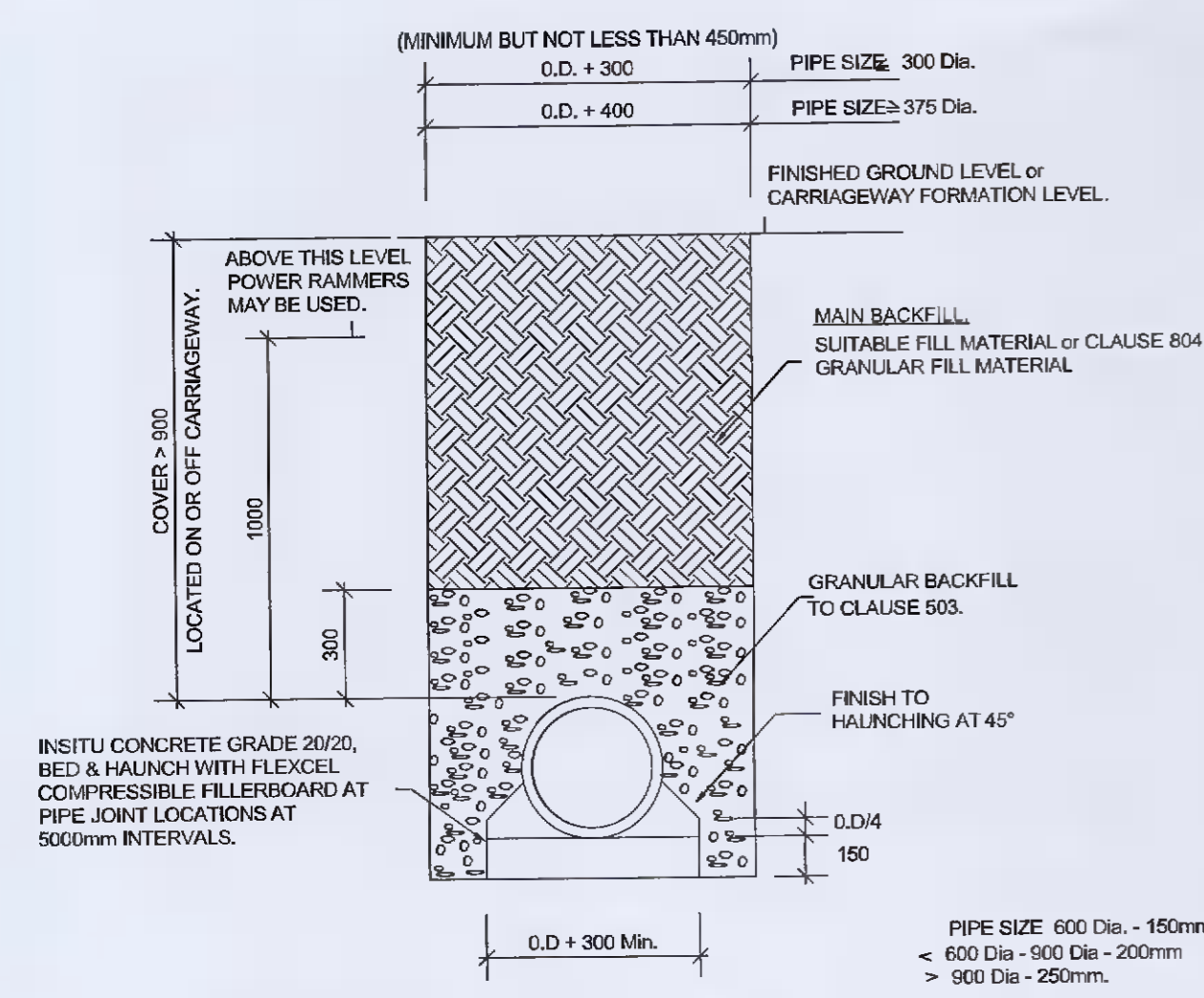
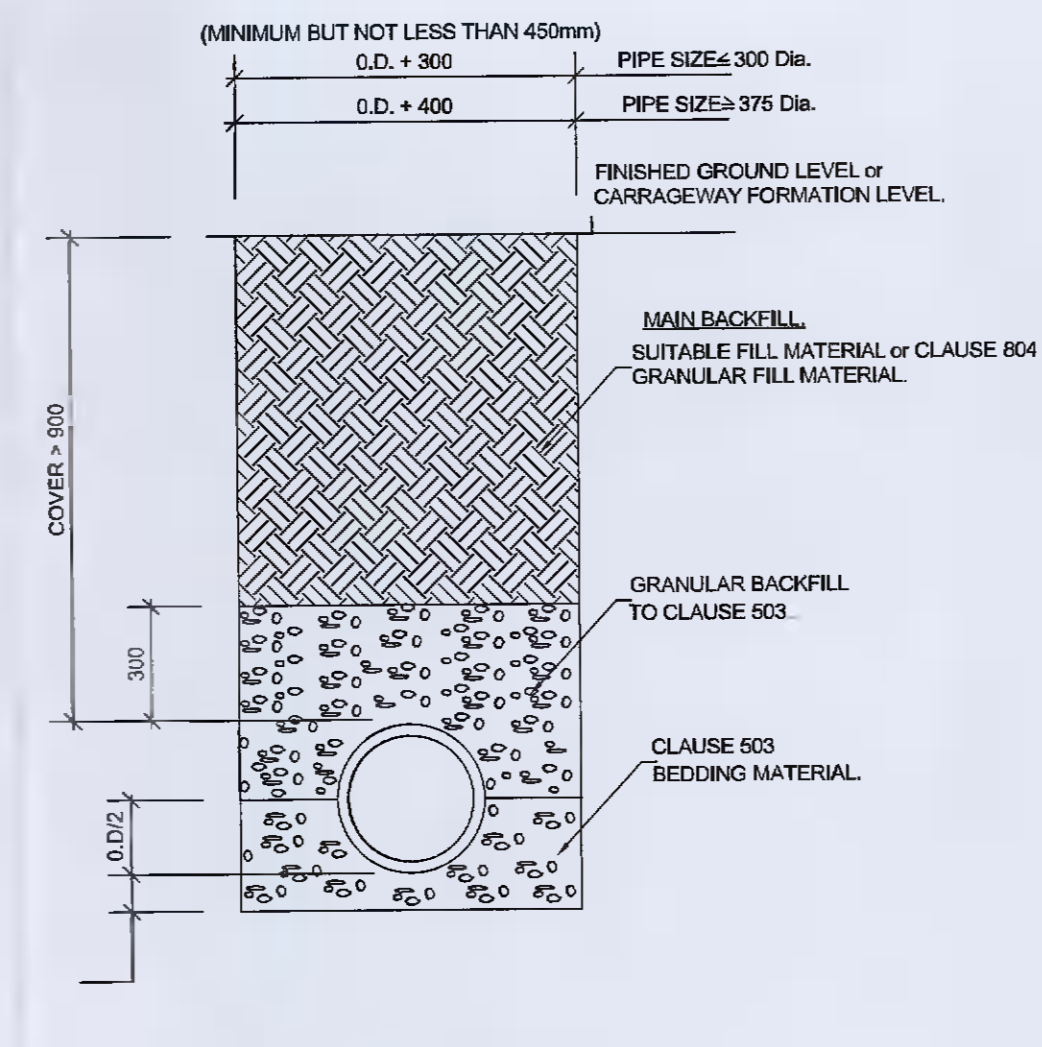


GENERAL NOTES

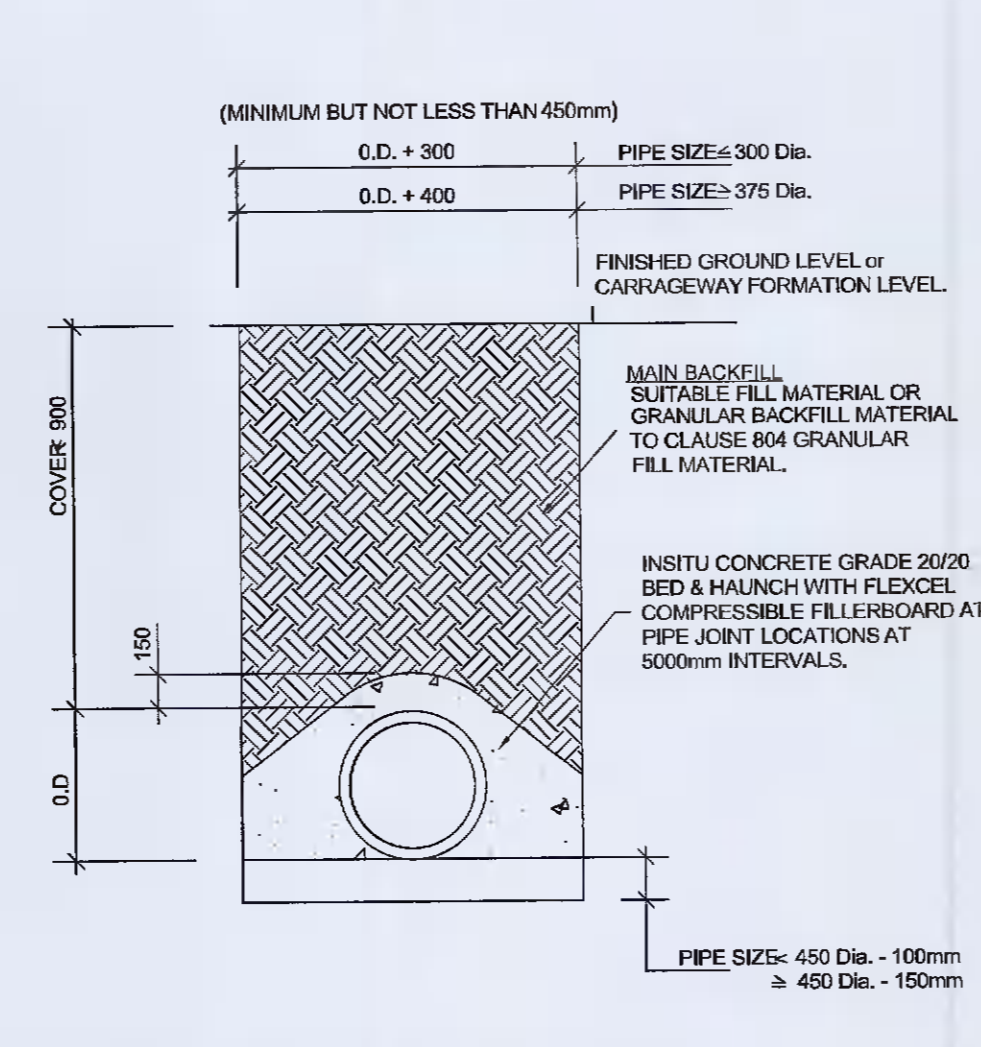
1. This Drawing is to be read in conjunction with all the Engineer's and Architect's Drawings and Specifications.
2. Do Not Scale. Use Figured Dimensions Only. Refer to the Architects Drawings for all setting out dimensions.
3. All Dimensions To Be Checked on-site. Engineer and Architect to be informed immediately of any discrepancies between the condition/ situation on site and that assumed on the Project Design Drawings.
4. IF IN DOUBT ASK.



CONCRETE BED & HAUNCH DETAIL  
BEDDING CLASS-A.

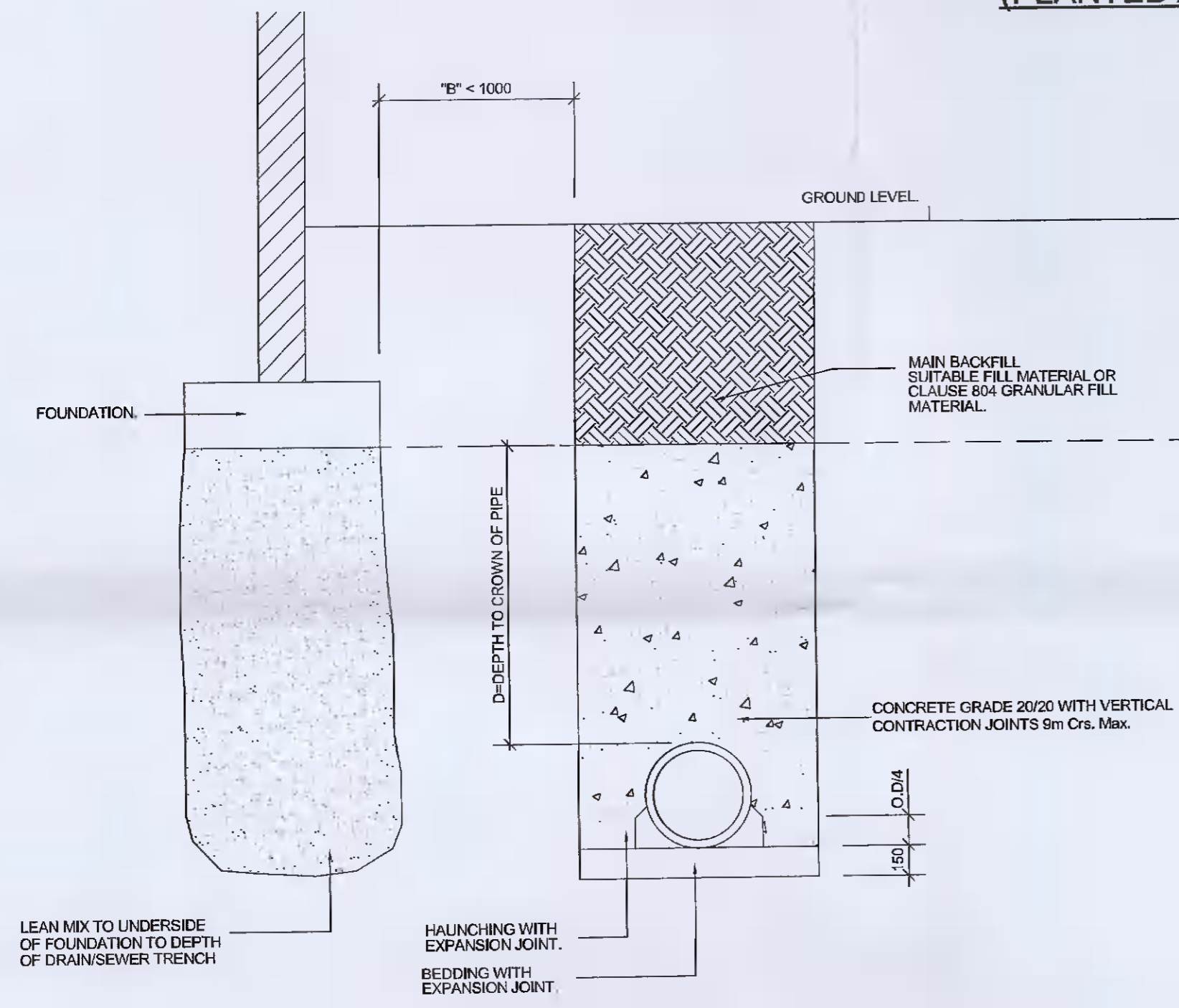


GRANULAR BEDDING DETAIL  
BEDDING CLASS-B.

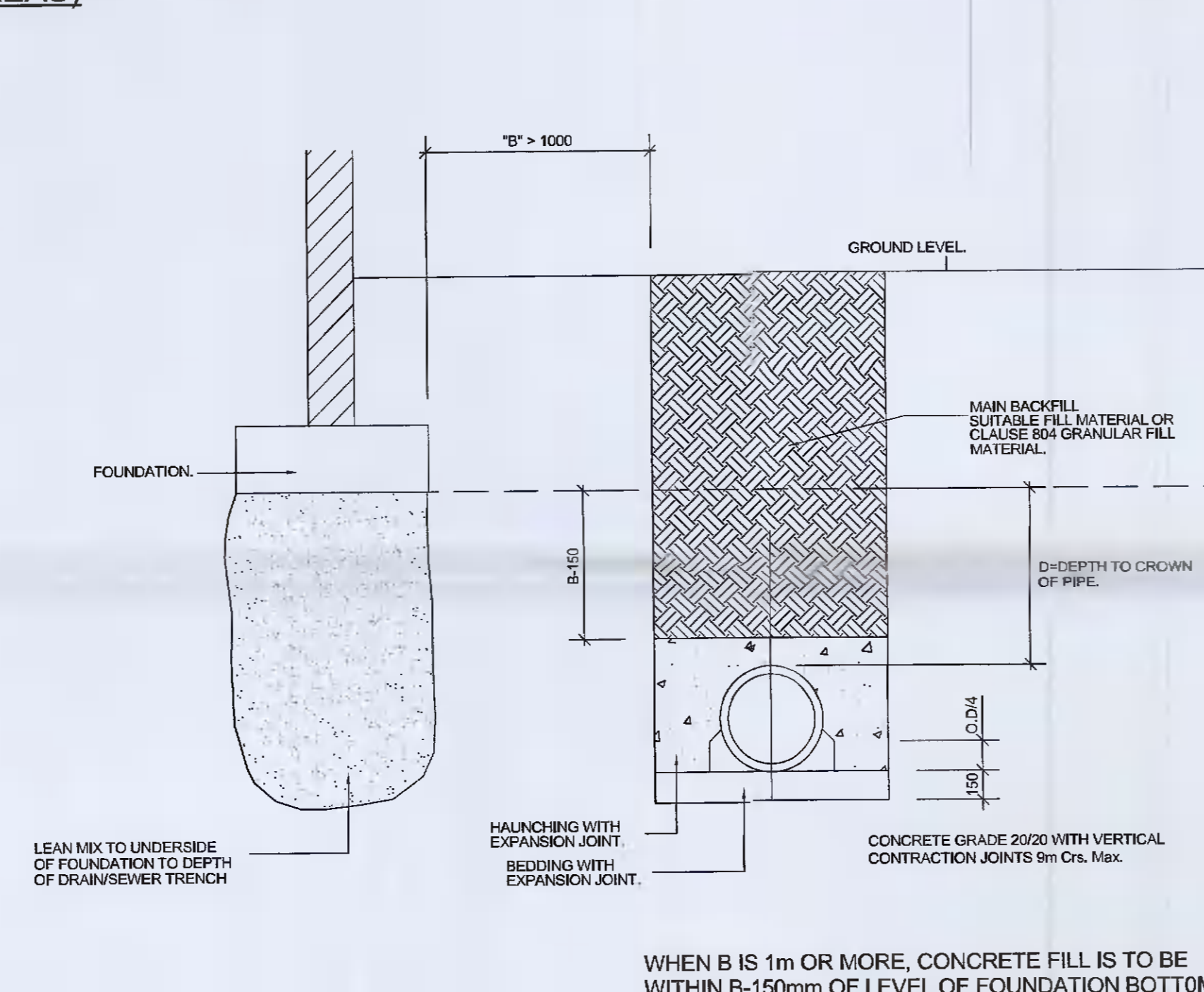


CONCRETE BEDDING SURROUND DETAIL  
BEDDING CLASS-C.

DRAINS/SEWER IN OPEN SPACES (PLANTED AREAS)

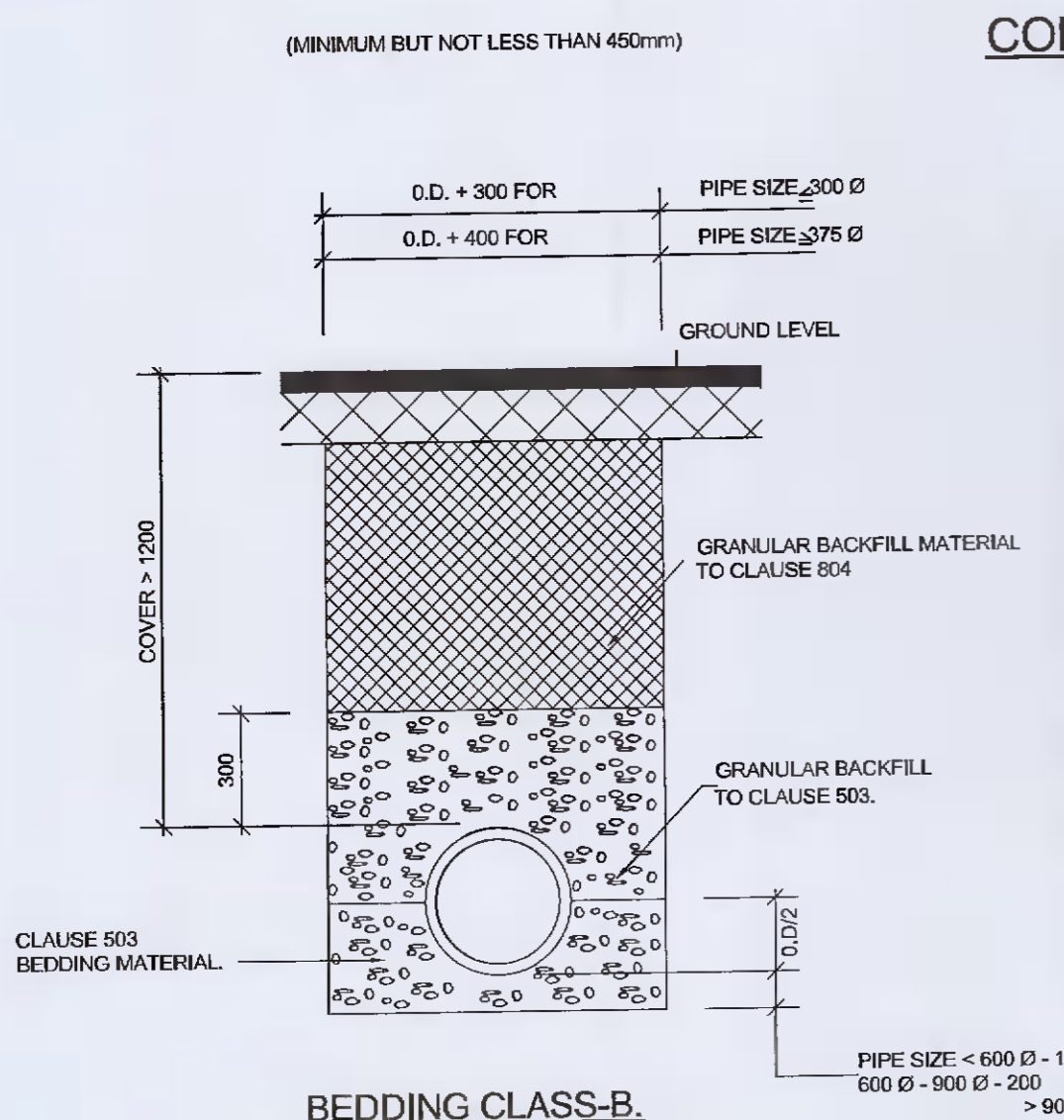


WHEN B IS LESS THAN 1m AND/OR D<B CONCRETE FILL TO LEVEL OF FOUNDATION BOTTOM.

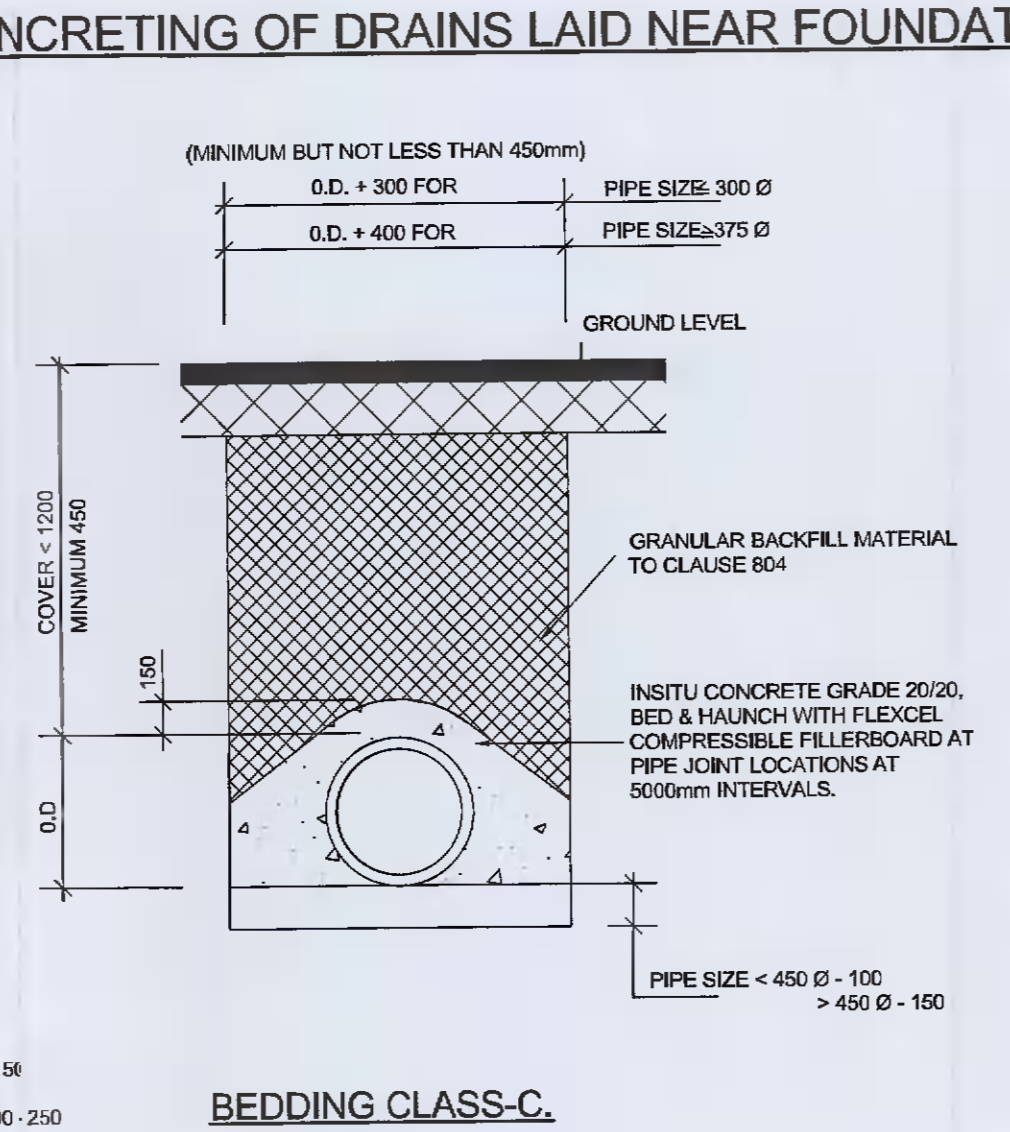


WHEN B IS 1m OR MORE, CONCRETE FILL IS TO BE WITHIN B-150mm OF LEVEL OF FOUNDATION BOTTOM.

CONCRETING OF DRAINS LAID NEAR FOUNDATIONS.



BEDDING CLASS-B.



BEDDING CLASS-C.

DRAINS/SEWERS IN TRAFFIC AREAS.

LIMITATIONS ON DEPTH OF COVER.		(DEPTHS UP TO 6m)											
PIPE DIAMETER. (mm)		100	150	225	300	375	450	525	600				
TRENCH WIDTH (MAX) (M)		550	600	700	750	1050	1150	1200	1350				
TRANSITION DEPTH (M)		4.9	3.7	2.4	1.5	3.0	2.4	1.8	1.8				
BEDDING CLASS		A	B	A	B	A	B	A	B	A	B	A	B
CONCRETE (S & S AND OGEE)													
CLASS-N.		*	*	*	*	*	*	3.0	2.0	x	x	x	x
CLASS-M.								*	3.0	*	3.0	*	3.0
CLASS-H.								*	*	*	4.5	*	4.5

x - NOT USABLE AT ANY DEPTH FOR THAT BEDDING CLASS.  
 - NO ENTRY INDICATES PIPES NOT NORMALLY AVAILABLE.  
 \* - NO LIMITS TO MAXIMUM COVER.

P12 ISSUED FOR PLANNING	SCM	24/02/2022
Rev. Description	By	Date
Drawn By / Date	SCM	FEBRUARY 2022
Designing Chk / Date	SCE	FEBRUARY 2022
Design Chk / Date		

\* Refer to Suitability "S4" for Original Signatures

**SC SEXTON CONSULTING**  
 EG The Five Roads, Jordanstown, Lusk, North County Dublin, Ireland, K45 NY74 t +353-1-8490999, e connect@scs.ie

Client  
**CLONDALKIN RUGBY FOOTBALL CLUB LTD**

Architect  
**CUMMINS & VOORTMAN ARCHITECTS**

Project  
**CRFC KINGSWOOD RELOCATION  
 KINGSWOOD FARM MONEENALION  
 COMMONS LOWER CLONDALKIN D22**

Title  
**SITE DEVELOPMENT WORKS  
 STANDARD PIPE BEDDING DETAILS**

Job No.  
**SC04/21020**

Creation  
**FEBRUARY 2022**

Project Code  
**CRFC - SC - SD - XX - DR - C - 2006**

Suitability  
**Issued for Planning**

Code  
**S2**

Revision ID  
**P12**

Status **PLANNING**

THIS DRAWING IS COPYRIGHT © ALL RIGHTS RESERVED. NO PART OF THIS DRAWING MAY BE REPRODUCED, STORED IN A RETRIEVAL SYSTEM OR TRANSMITTED IN ANY FORM OR BY ANY MEANS WITHOUT THE PRIOR WRITTEN PERMISSION OF SEXTON CONSULTING.