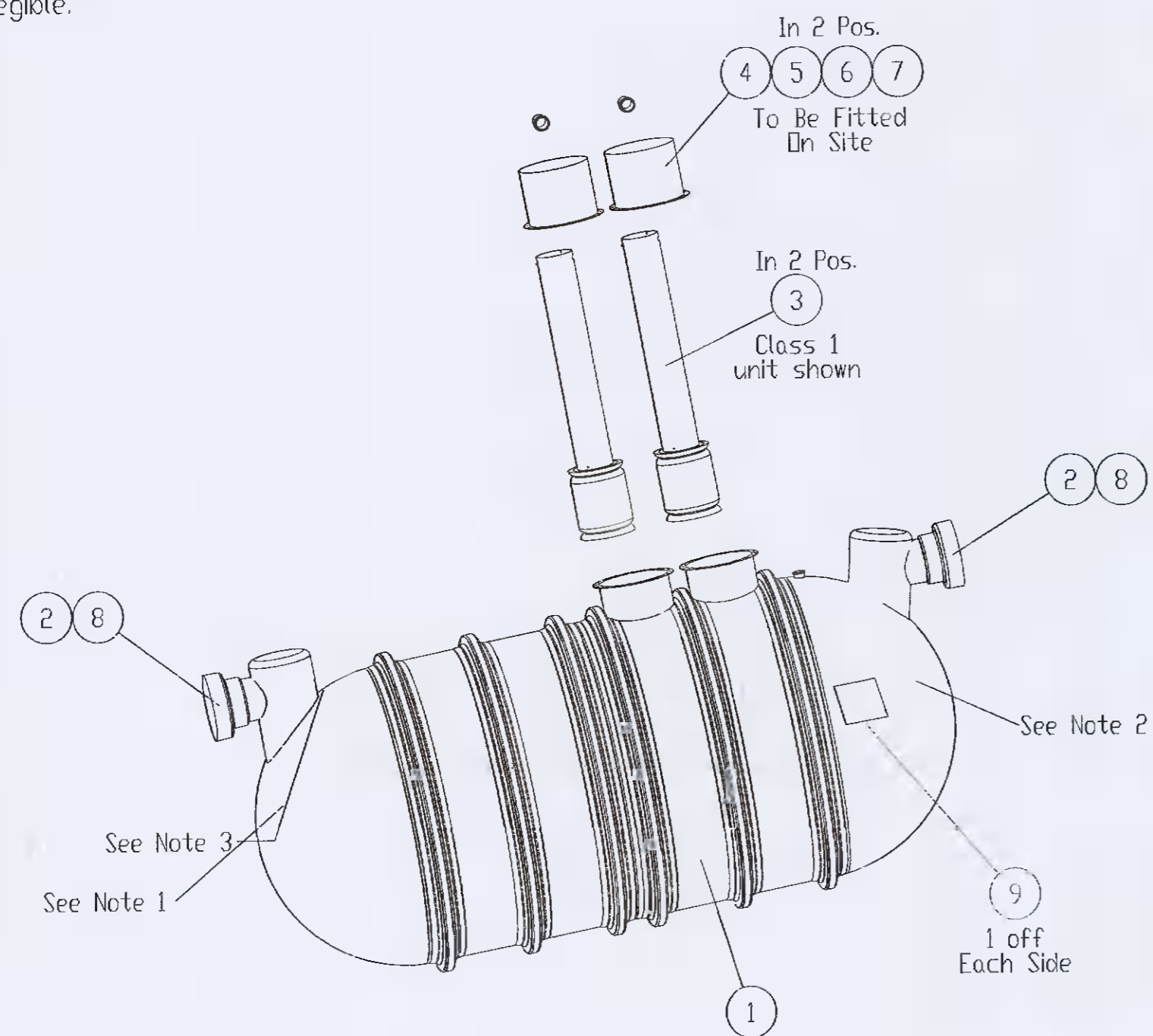


- Notes:-
- "INLET" to be stencilled adjacent to inlet pipework. Lettering to be legible.
 - "OUTLET" to be stencilled adjacent to outlet pipework. Lettering to be legible.
 - "DESCRIPTION", "DATE BUILT", "DATE TESTED" & "W/D NUMBER" to be completed onto a Data Label and fitted to the side of the main tank. Lettering to be legible.



ITEM NO.	PART NUMBER	DESCRIPTION	Default/ QTY
4	90226	600 Diameter Flanged Neck 640 mm Long	2
5	213706	GROMMET 110MM C/W 13MM THREAD	2
6	013512	4 inch PVCu Pipe - 200mm	2
7	1245	260G Mastic Kit	2
8	R-DRY 0010	Hard Laminare - Unfilled	See Below

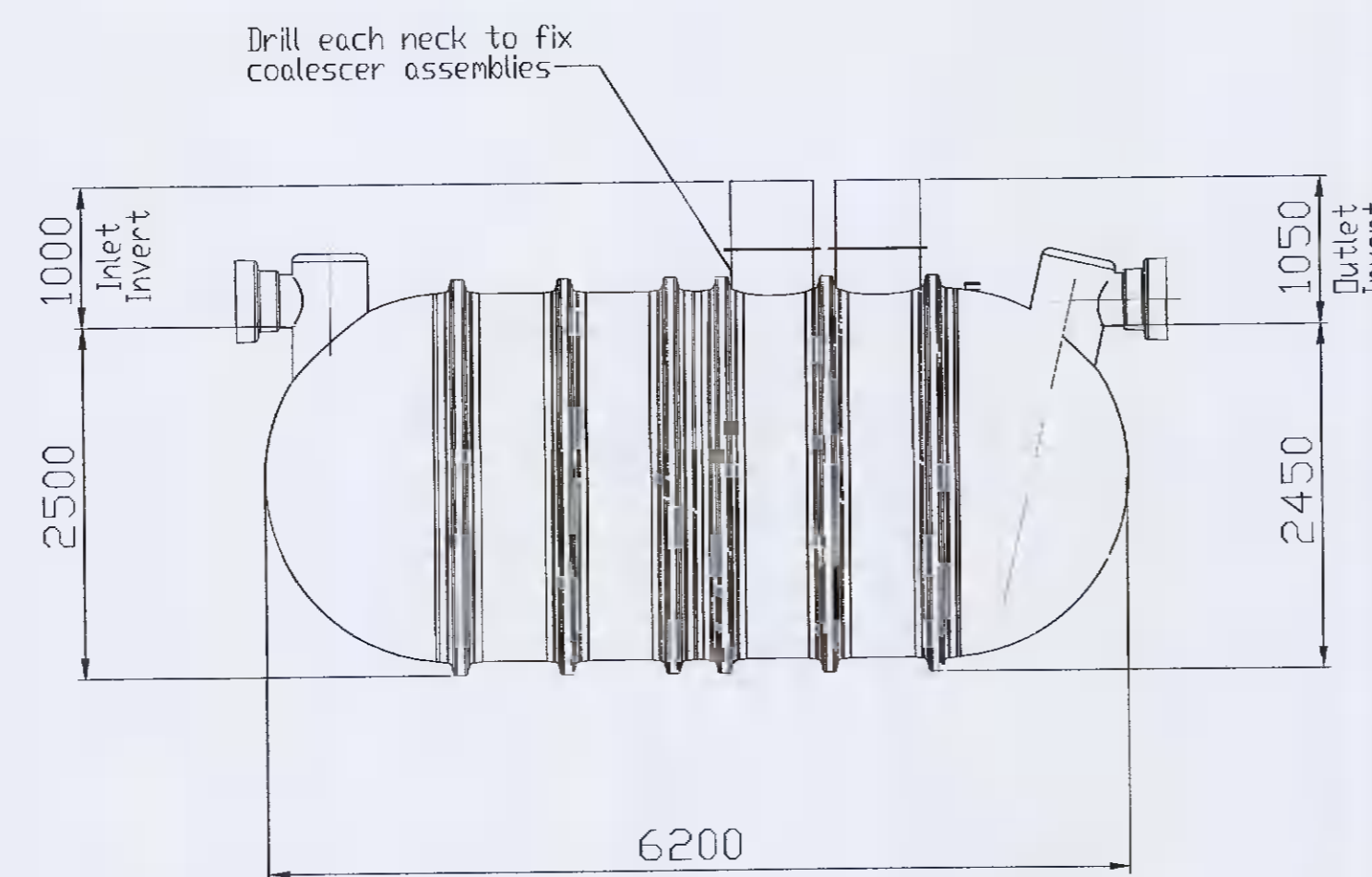
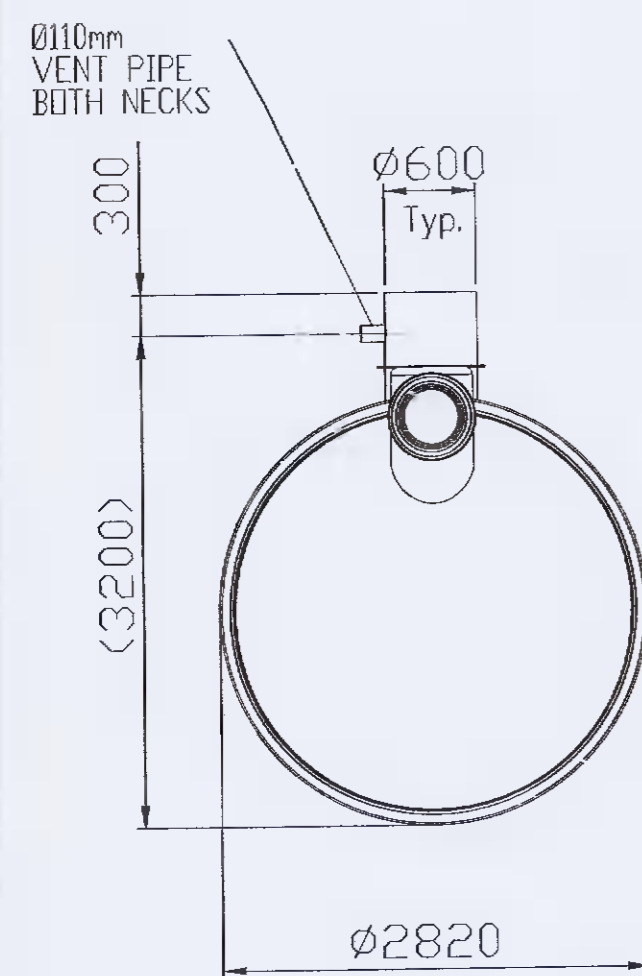
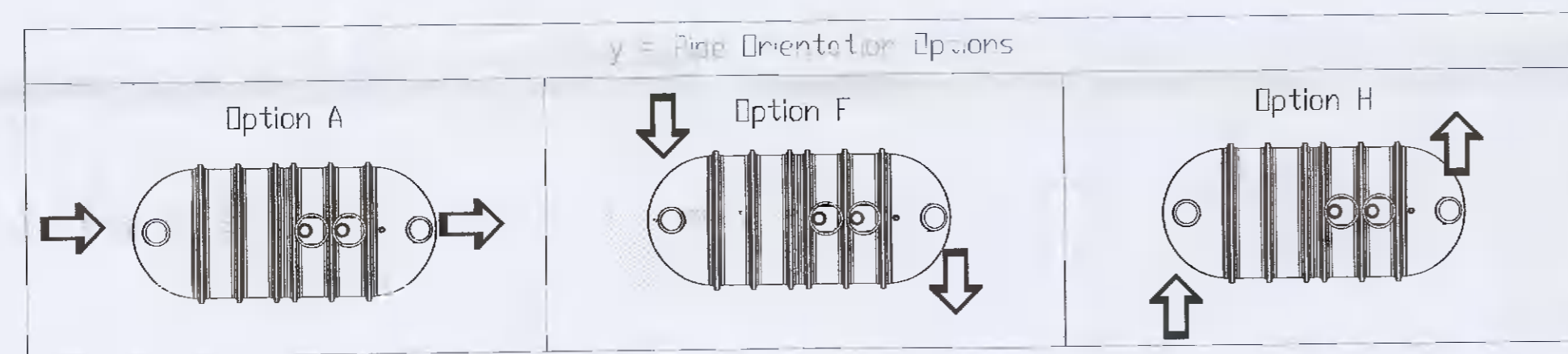
z = (Class)	Item 3	Qty.
1	NSFACL1D	2
2	NSFACL2D	2

x = (Pipe Size)	Item 2	Qty.	Item 8 Qty.
H	100704	2	3.8kg
K	100705	2	4.5kg
M	100706	2	4.5kg
N	100707	2	6.0 kg

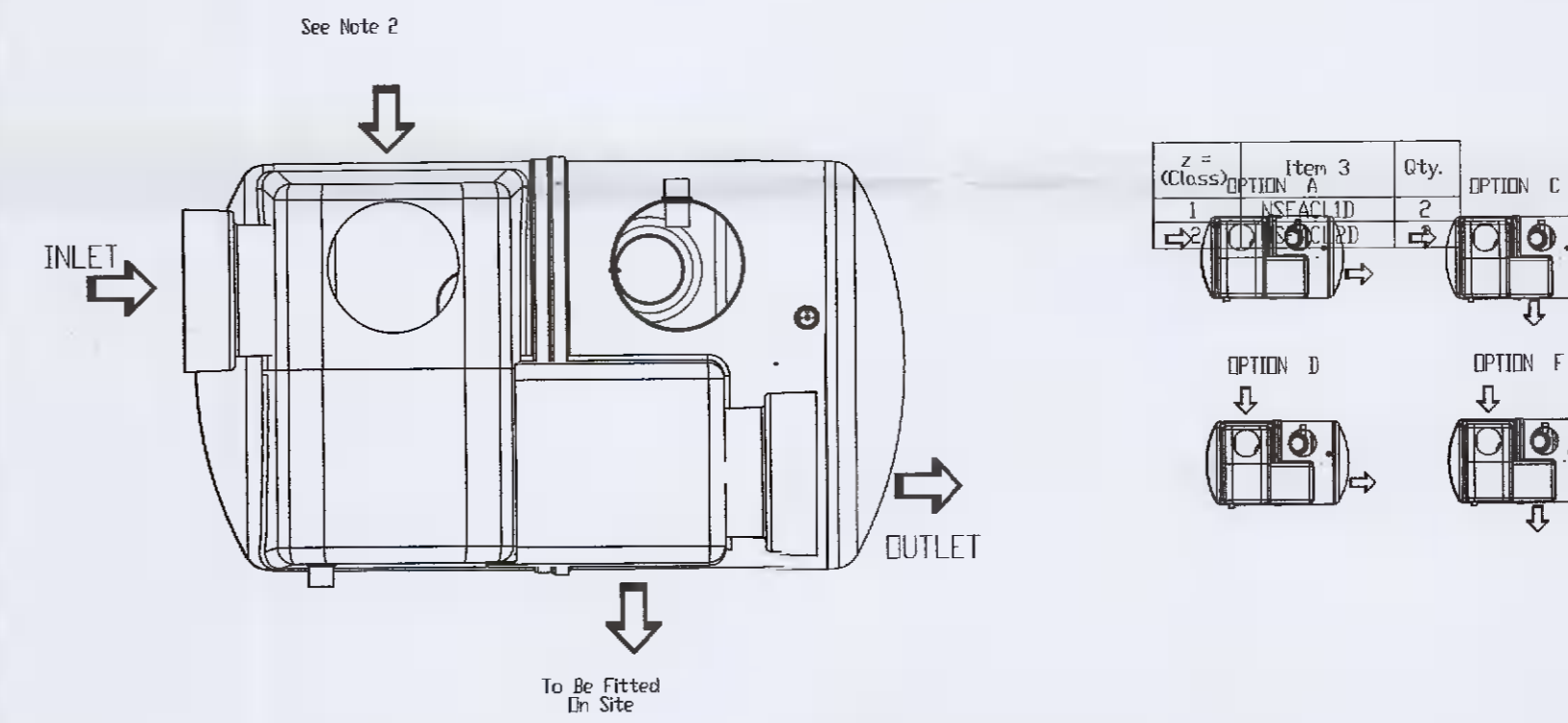
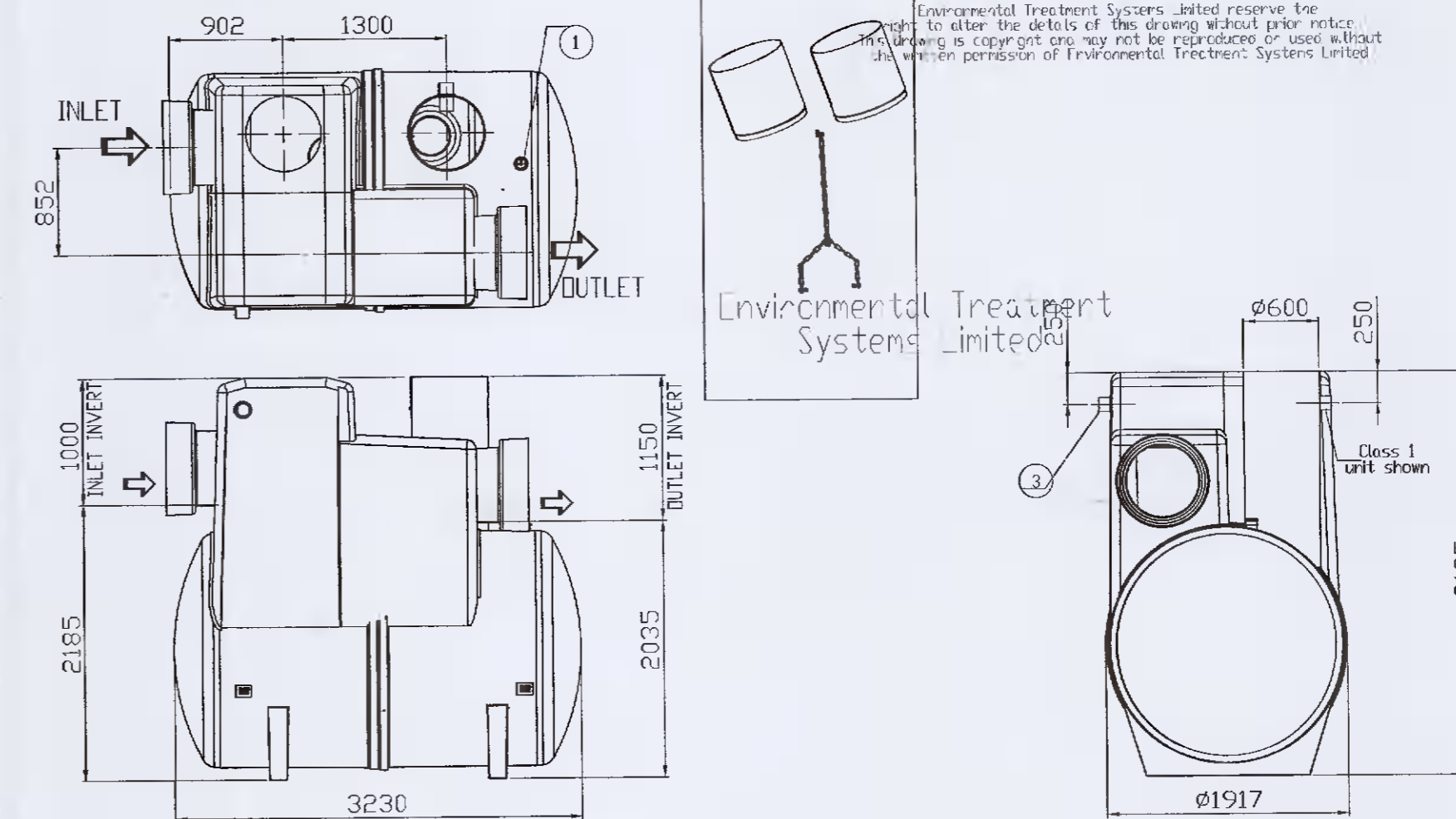
For pipe orientation options (y)
See sheet 2

w = (Alarm Type)	Item 1
A	NSFACASE100A

v = (Brand)	Item 9
K	NSFALABELK
T	NSFALABELT
C	NSFALABELC
E	NSFALABELE
I	NSFALABELI
L	NSFALABELL (No Branding)
P	NSFALABELP



Full Retention Petrol Interceptor Detail
Location Reference PI 1 & PI 2
Scale 1:50



Bypass Petrol Interceptor Detail
Location Reference PI 3
Scale 1:50

LOCATION REF.	UNIT REF.	UNIT CLASS	NOMINAL FLOW RATE (L/s)	PEAK FLOW RATE (L/s)	OVERALL LENGTH	BASE TO INLET INVERT	OUTLET INVERT	STD. PIPE DIA. (GRP)
PI 1 & PI 2	NSFA100	1	100	100	6200	2500	2450	600
PI 3	NSBE050	1	50	500	3960	2185	2035	600

*Based on peak slow & catchment size from Klargestor Separator Technical Literature

C02	04/02/22	CDS	CDS	JMAC
Issued for Planning RFI Response				
C01	28/07/21	CDS	CDS	JMAC
Issued for Planning				
Rev	Date	By	Chkd	Appd

ARUP

Arup, 50 Ringsend Road
Dublin, D04 T6X0
www.arup.ie
Tel: +353(0)1 233 4455 Fax: +353(0)1 666 3169

Client
Digital Netherlands VIII B.V.
(Netherlands)

Project Title
INXN DUB15/16

Drawing Title
Standard Details Sheet 5 of 11

Scale at A1 As Shown
Role Civil
Subsidiarity Planning RFI Response
Arup Job No 280503-00 Rev C02
Name IE-DUBZZ-STE1-EO-ARP-DR-C-0116