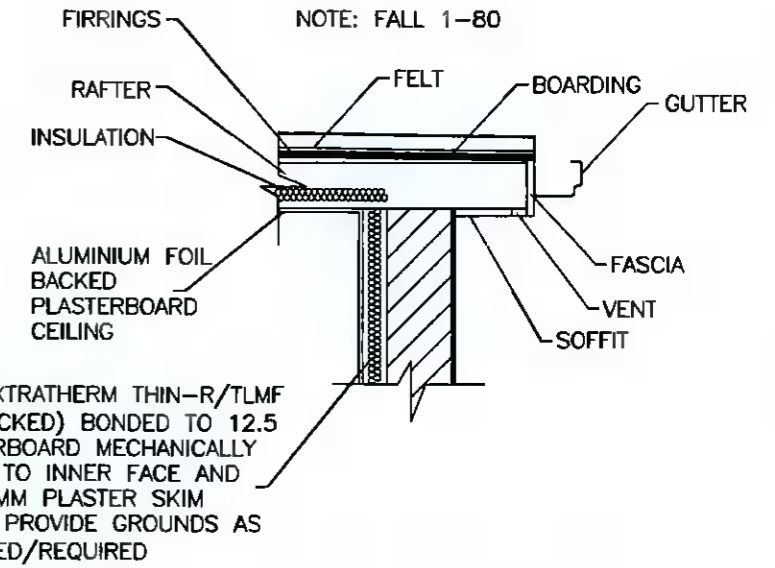
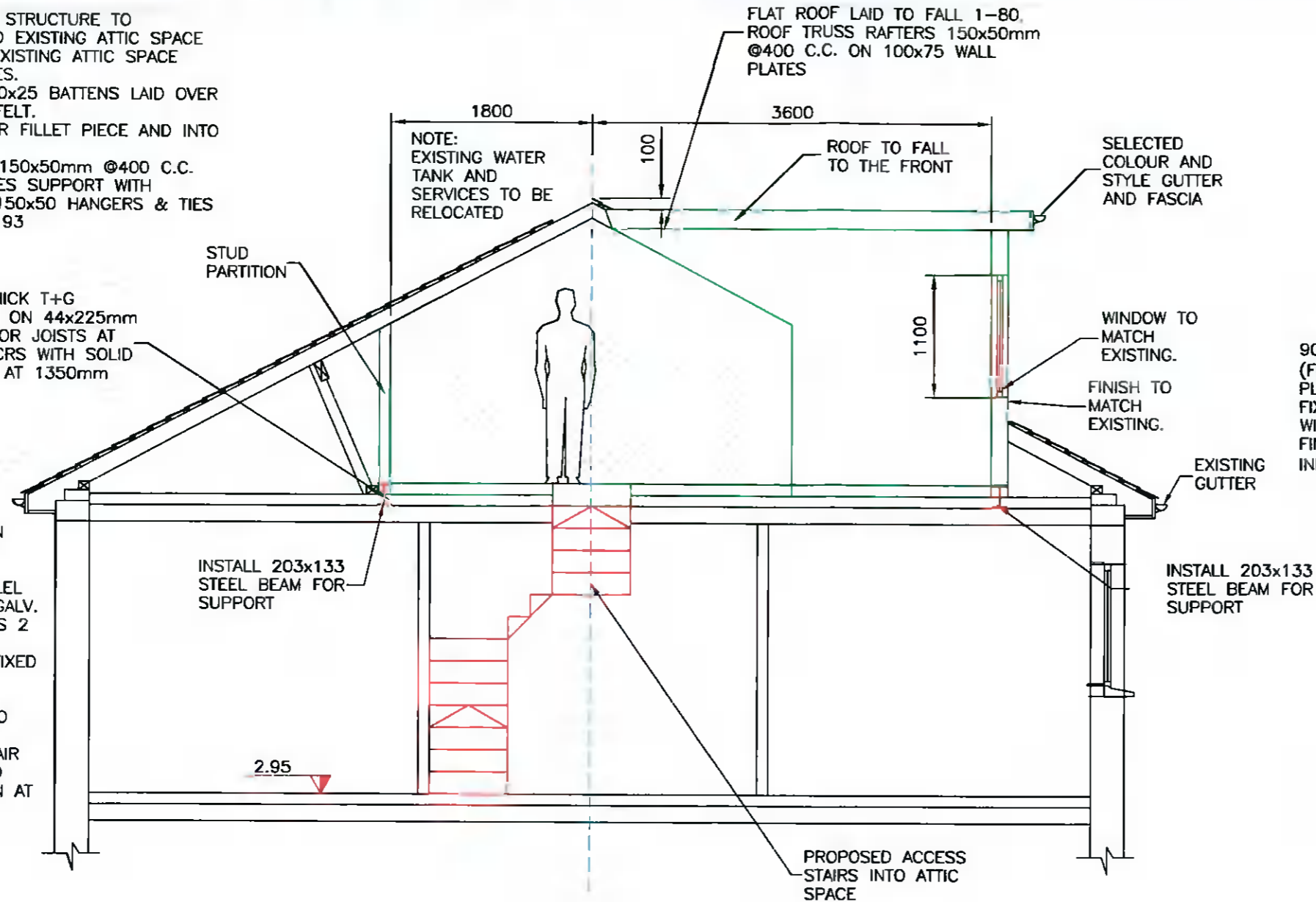


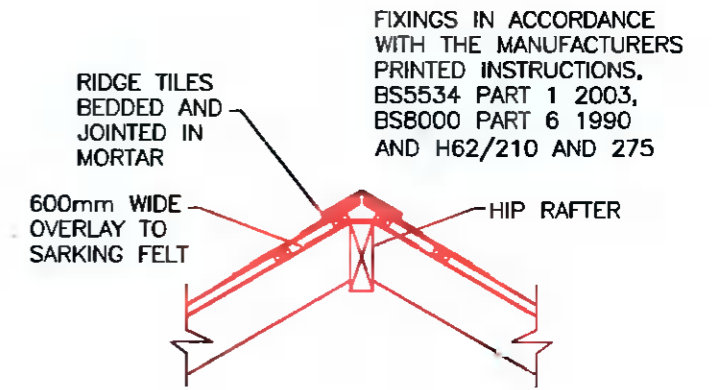
NOTES:
 MODIFY EXISTING ROOF STRUCTURE TO FACILITATE ACCESS INTO EXISTING ATTIC SPACE AND CONVERSION OF EXISTING ATTIC SPACE FOR STORAGE PURPOSES.
 ROOF TILES LAID ON 50x25 BATTENS LAID OVER UNTEARABLE ROOFING FELT.
 FELT TO RUN OUT OVER FILLET PIECE AND INTO PVC GUTTER
 ROOF TRUSS RAFTERS 150x50mm @400 C.C. ON 100x75 WALL PLATES SUPPORT WITH 175x75 PURLINS AND 150x50 HANGERS & TIES TO COMPLY WITH I.S. 193

22mm THICK T+G FLOORING ON 44x225mm SCB. FLOOR JOISTS AT 400mm CRS WITH SOLID BRIDGING AT 1350mm CRS

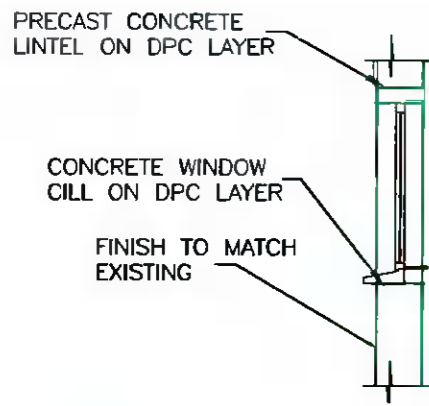
NOTES:
 ALL TIMBERS TO BE SCB AND IN ACCORDANCE WITH SR 11 1991. PROVIDE LATERAL SUPPORT TO WALLS WHERE THEY RUN PARALLEL TO JOISTS, BY FIXING 30X6MM GALV. M.S. STRAPS AT 2M CRS ACROSS 2 NO JOISTS.
 SOLID NOGGING PIECES TO BE FIXED DIRECTLY UNDER STRAPS. DITTO ALONG ROOF SLOPE.
 INSULATION BETWEEN RAFTERS TO BUILDING REGULATIONS.
 PROVIDE 50MM UNOBSTRUCTED AIR SPACE BETWEEN INSULATION AND ROOF FELT. PROVIDE VENTILATION AT EAVES TO PROMOTE CROSS VENTILATION 10MM STRIP FULL LENGTH



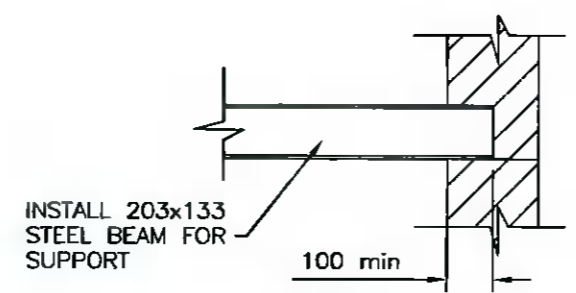
TYPICAL FLAT ROOF DETAIL



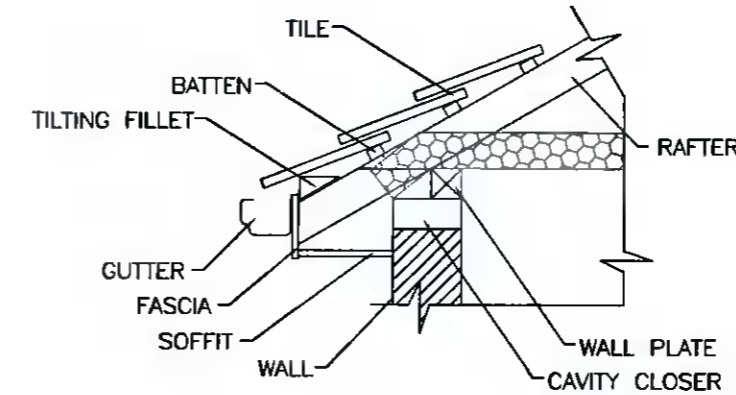
1. Mortar 1:3 cement/sand pigmented to approved colour.
2. Fix 600mm wide underlay, overlapping the main underlay
3. Fix hip to iron (to BS 5534: Part 1: Clause 12) to hip rafter.
4. Cut slates to fit closely at junction.
5. Lay hip ridge tiles true and bed edges and joints firmly in mortar, struck off smoothly to provide a flush finish.
5. Cut first tile to align with corner of eaves.
6. Fill end of hip with mortar and slips of slate finished flush.



TYPICAL WINDOW DETAIL



TYPICAL SUPPORT DETAIL



TYPICAL ROOF DETAIL



The information contained in this drawing is confidential and must not be divulged to any third party without the written consent of 4bes Design Services.		38 Larkfield Avenue Lucan Co. Dublin	No.54 Weston Crescent, Cooldrinagh, Lucan, Co. Dublin	PROPOSED SECTION AND DETAILS		DRAWN JOHN FORBES , 38 LARKFIELD AVE. , LUCAN, Co. DUBLIN	
						DATE Feb 2022	Stephen Lee
						SCALE 1:50 @ A3	WC - 12