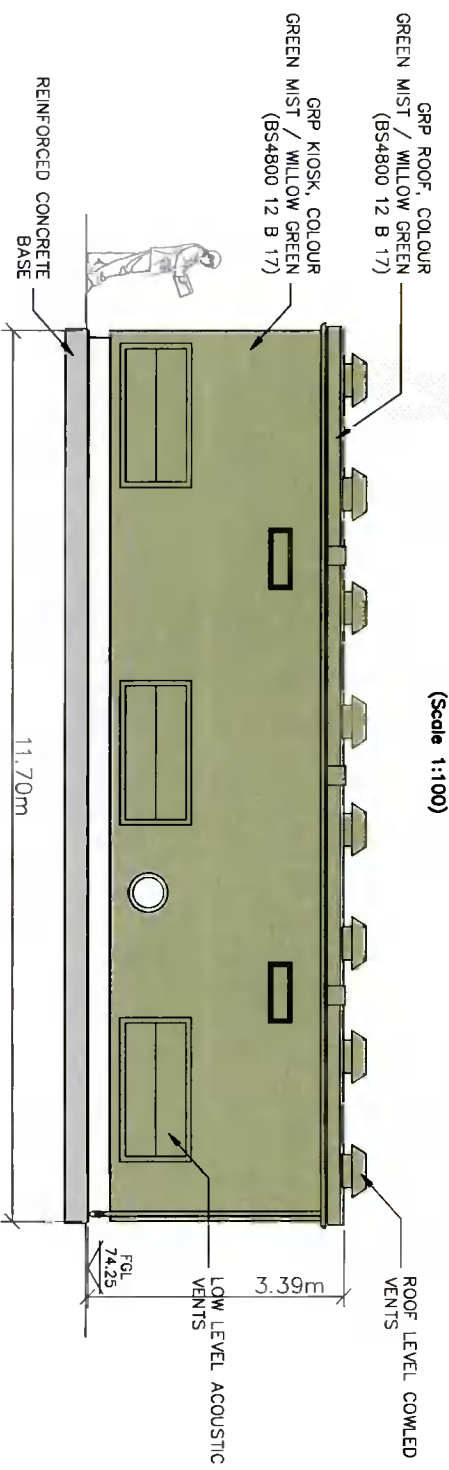
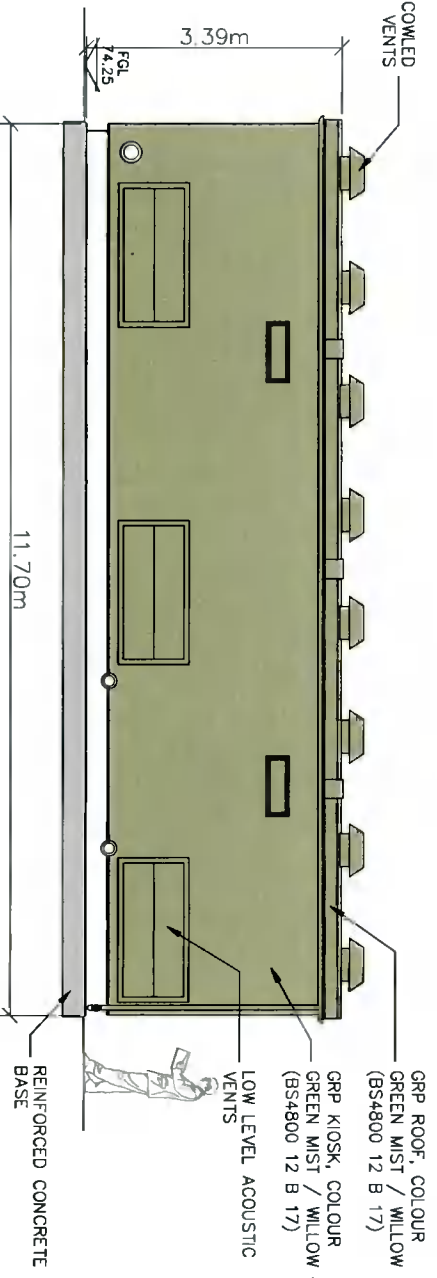


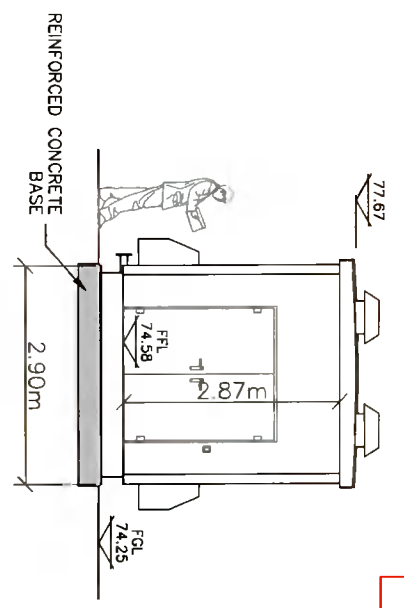
ELEVATION 3
(Scale 1:100)



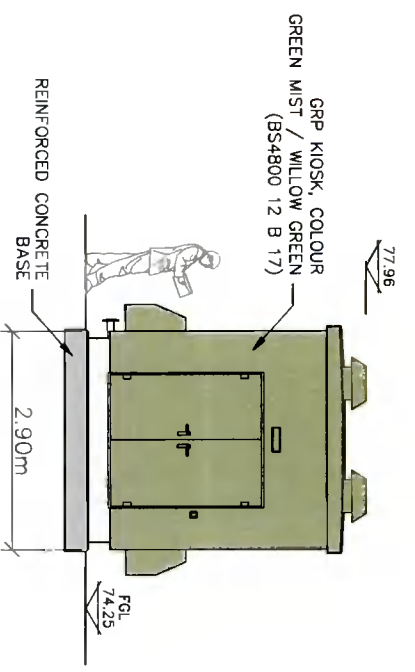
ELEVATION 1 - Facing East
(Scale 1:100)



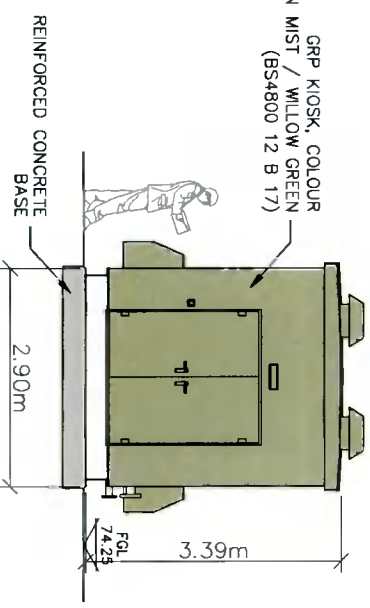
ELEVATION 3 - Facing West
(Scale 1:100)



SECTION A-A
(Scale 1:100)



ELEVATION 2 - Facing South
(Scale 1:100)



ELEVATION 4 - Facing North
(Scale 1:100)

NOTE:
Internal Plant Layout subject
to Detailed Design Specification

ISSUE	REVISION	REV. BY	TM	RMD	JL	NM
0	PLANNING ISSUE		08/12/2021	08/12/2021	08/12/2021	08/12/2021

APPROVALS

A	DRAWING OFFICE	DRAWN BY	T. MALONE
B	DESIGN ENGINEERING	CHECKED	R. MCDONNELL
C	STRATEGY/PLANNING	APPROVAL	J. LENNON
D	DESIGN MANAGEMENT	DATE	08/12/2021
E	OPERATIONS		
F	CONSTRUCTION		
G	AM/AO ADDITIONAL		

PROJECT	44370116 PC4_TXLIC Grange Back-up Power Ltd.
TITLE	PLAN SECTION & ELEVATIONS OF REGULATOR/METER KIOSK
DRAWING NUMBER	Nangor
SCALE	1:100
SHEET	01 OF 01

Fingletton White
Bridge Street Centre
Portlaoise
Co. Laois
Ireland
T: (00353) (0) 57 866 5400
www.fingletton.ie



P O Box 51,
Gasworks Road
Cork,
Rep of Ireland
T +353 21 4534000