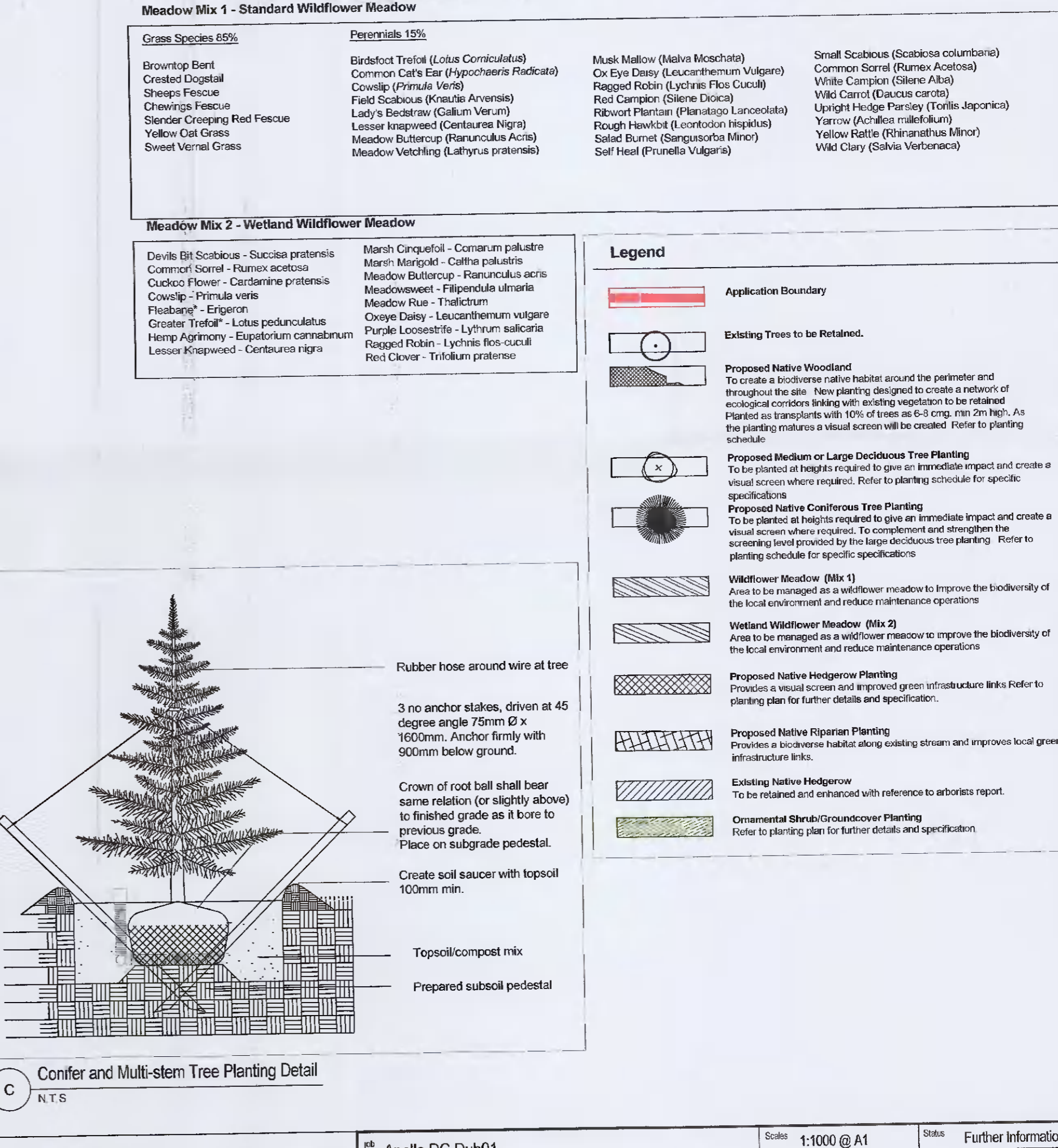
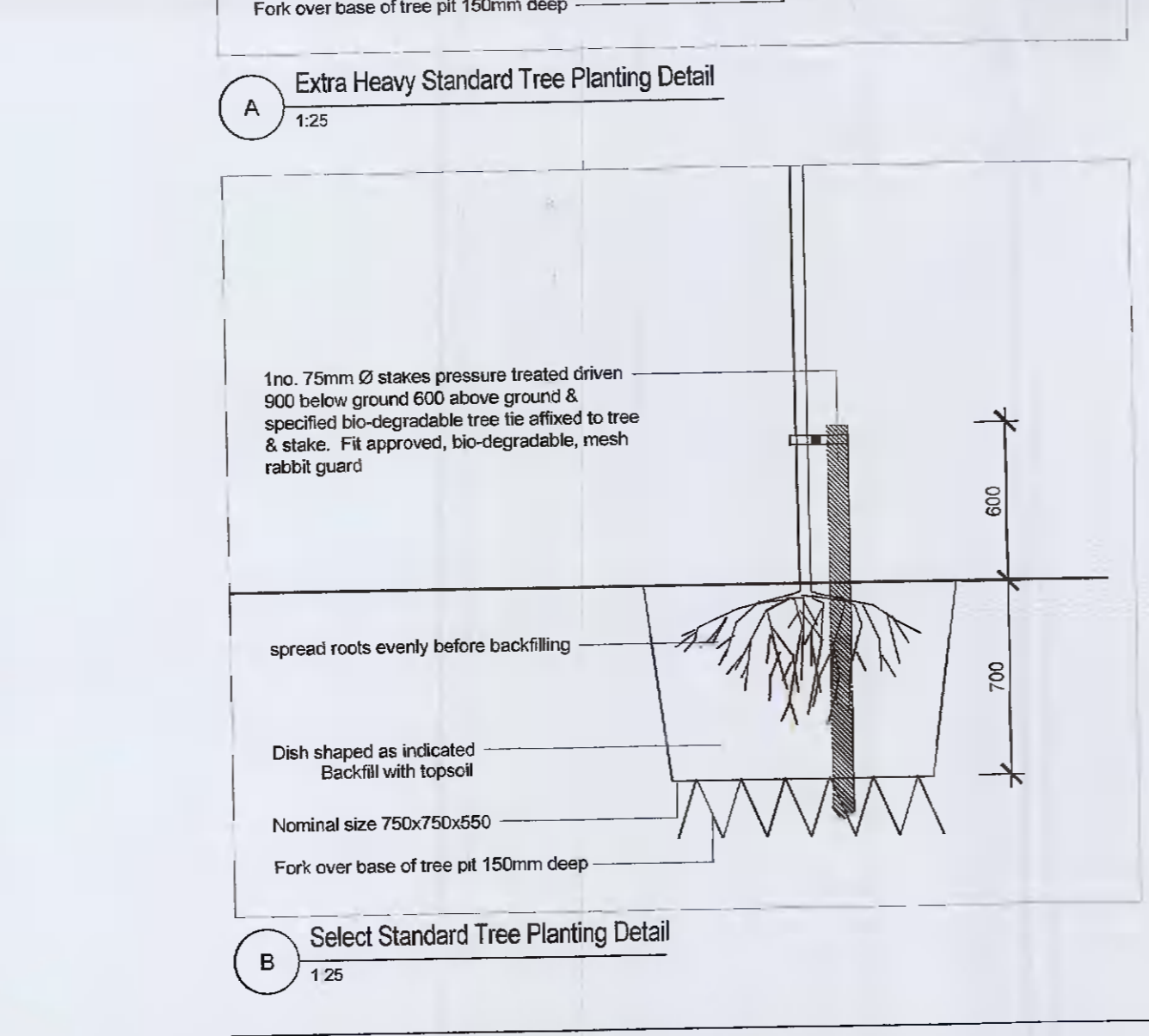
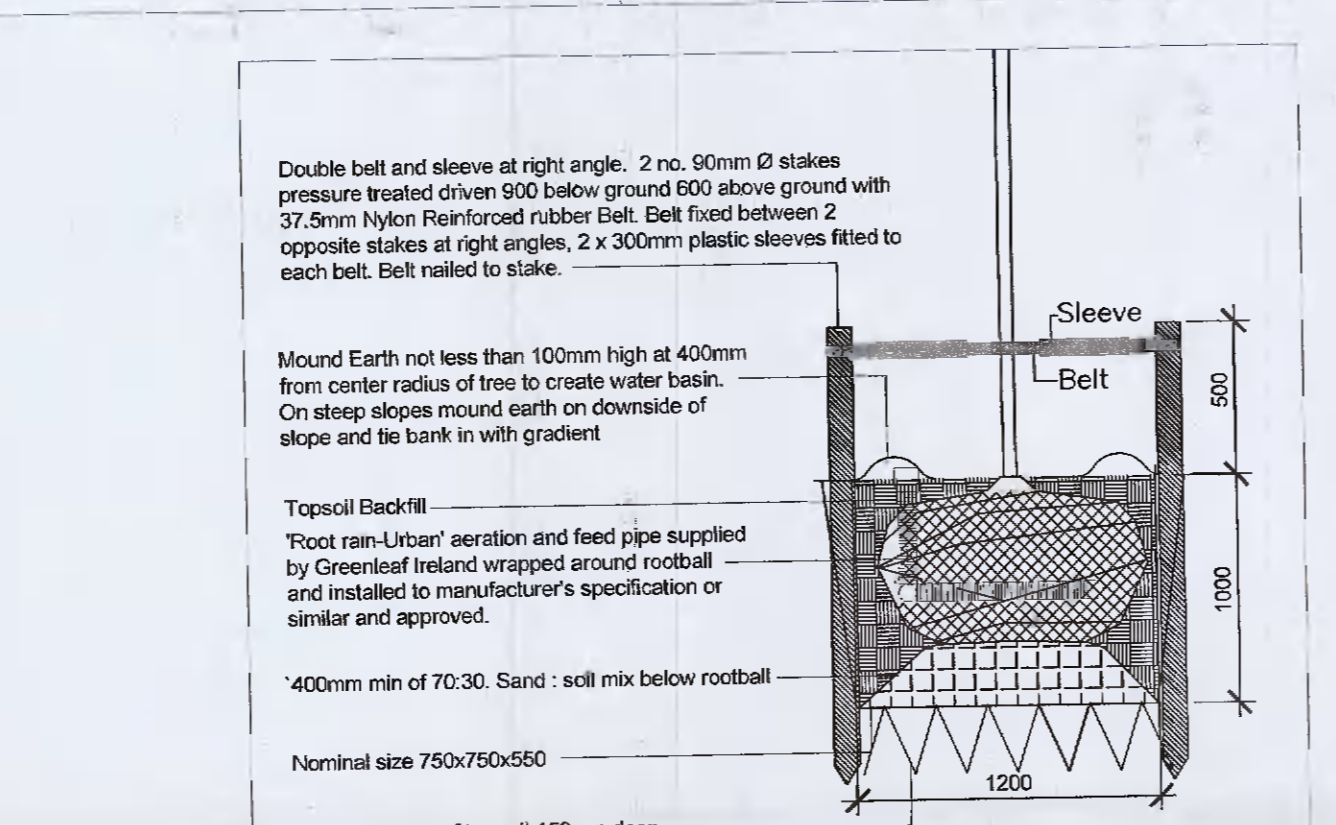




Nr	Plant Name	HxSpd	Girth	Root	Density
<b>Trees</b>					
110	Alnus glutinosa	400-450	14-16cm	RB	
76	Alnus glutinosa	330-350	10-12cm	B	
168	Alnus glutinosa	250-300	8-10cm	B	
110	Betula pendula	400-450	14-16cm	RB	
60	Betula pendula	300-350	10-12cm	B	
168	Betula pendula	250-300	8-10cm	B	
60	Betula pendula	250-300	10-12cm	B	
110	Quercus petraea	400-450	14-16cm	RB	
30	Quercus petraea	300-350	10-12cm	B	
168	Quercus petraea	250-300	8-10cm	B	
30	Quercus petraea	250-300	10-12cm	B	
18	Salix alba	250-300	10-12cm	B	
<b>Conifers</b>					
110	Pinus sylvestris	250-300cm	-	RB	
30	Pinus sylvestris	200-250cm	-	RB	
425	Pinus sylvestris	40-60cm	-	C	1/m <sup>2</sup>
213	Larix decidua	40-60cm	-	C	1/m <sup>2</sup>
<b>Woodland Transplants</b>					
425	Alnus glutinosa	100-120cm	-	B	1/m <sup>2</sup>
560	Betula pendula	100-120cm	-	B	1/m <sup>2</sup>
1262	Corylus avellana	80-100cm	-	B	1/m <sup>2</sup> /3/m <sup>2</sup>
700	Crataegus monogyna	80-100cm	-	B	1/m <sup>2</sup> /3/m <sup>2</sup>
1003	Ilex aquifolium	40-60cm	-	C	1/m <sup>2</sup> /3/m <sup>2</sup>
213	Prunus avium	100-120cm	-	B	1/m <sup>2</sup> /3/m <sup>2</sup>
213	Prunus padus	100-120cm	-	B	1/m <sup>2</sup> /3/m <sup>2</sup>
2068	Prunus spinosa	100-120cm	-	B	1/m <sup>2</sup> /3/m <sup>2</sup>
650	Quercus petraea	100-120cm	-	B	1/m <sup>2</sup>
790	Lonicera periclymenum	80-100cm	-	B	3/m <sup>2</sup>
790	Rosa carina	80-100cm	-	B	3/m <sup>2</sup>
1049	Viburnum opulus	80-100cm	-	B	3/m <sup>2</sup>
<b>Wetland Plants</b>					
35	Apium nodiflorum	30-40cm	-	PB	1.5/m <sup>2</sup>
35	Callitriche palustris	30-40cm	-	PB	1.5/m <sup>2</sup>
35	Illex pseudacorus	30-40cm	-	PB	1.5/m <sup>2</sup>
70	Myrica scorpioides	30-40cm	-	PB	1.5/m <sup>2</sup>
35	Myrica scorpioides	30-40cm	-	PB	1.5/m <sup>2</sup>
70	Sparganium spp.	30-40cm	-	PB	1.5/m <sup>2</sup>
<b>Native Grasses + Ferns</b>					
140	Dryopteris filix-mas	30-40cm	-	PB	1.5/m <sup>2</sup>
140	Luzula nivea	30-40cm	-	PB	1.5/m <sup>2</sup>
140	Polystichum setiferum	30-40cm	-	PB	1.5/m <sup>2</sup>
<b>Climbers</b>					
45	Clematis armandi	40-60cm	-	2L	2/linear m
45	Lonicera henryi	40-60cm	-	2L	2/linear m
45	Vitis cognata	40-60cm	-	2L	2/linear m
45	Trachyspermum jasminoides	40-60cm	-	2L	2/linear m
<b>Ornamental Planting</b>					
465	Gallium odoratum	40-60cm	-	2L	4/m <sup>2</sup>
465	Geranium 'Johnson's Blue'	40-60cm	-	2L	4/m <sup>2</sup>
465	Libertia grandiflora	40-60cm	-	2L	4/m <sup>2</sup>
700	Polystichum setiferum	40-60cm	-	2L	4/m <sup>2</sup>
700	Prunus 'Oto Luyker'	40-60cm	-	2L	4/m <sup>2</sup>
465	Rudbeckia ligula 'Goldstrum'	40-60cm	-	2L	4/m <sup>2</sup>
700	Stipa arundinacea	40-60cm	-	2L	4/m <sup>2</sup>
700	Sarcococca humilis	40-60cm	-	2L	4/m <sup>2</sup>
1100	Taxus baccata	40-60cm	-	2L	4/m <sup>2</sup>



Grass Species 65%	Perennials 15%
Browtop Bent Crested Dogtail Sheep Fescue Chewings Fescue Slender Creeping Red Fescue Yellow Cat Grass Sweet Vernal Grass	Birdfoot Trefoil (Lotus Corniculatus) Common Cat's Ear (Hypochaeris Radicata) Cowslip (Fritillaria Vesicaria) Field Scabious (Knapweed Arvensis) Lady's Bedstraw (Galium Verum) Lesser Knapsweed (Centaurea Nigra) Meadow Buttercup (Ranunculus Acris) Meadow Vetchling (Lathyrus pratensis)

Meadow Mix 2 - Wetland Wildflower Meadow
Devils Bit Scabious - Succisa pratensis Common Sorrel - Rumex acetosa Cuckoo Flower - Cardamine pratensis Cowslip - Fritillaria vesicaria Flaband - Primula Greater Tofield - Lotus pedunculatus Hemp Agrimony - Eupatorium cannabinum Lesser Knapsweed - Centaurea nigra

