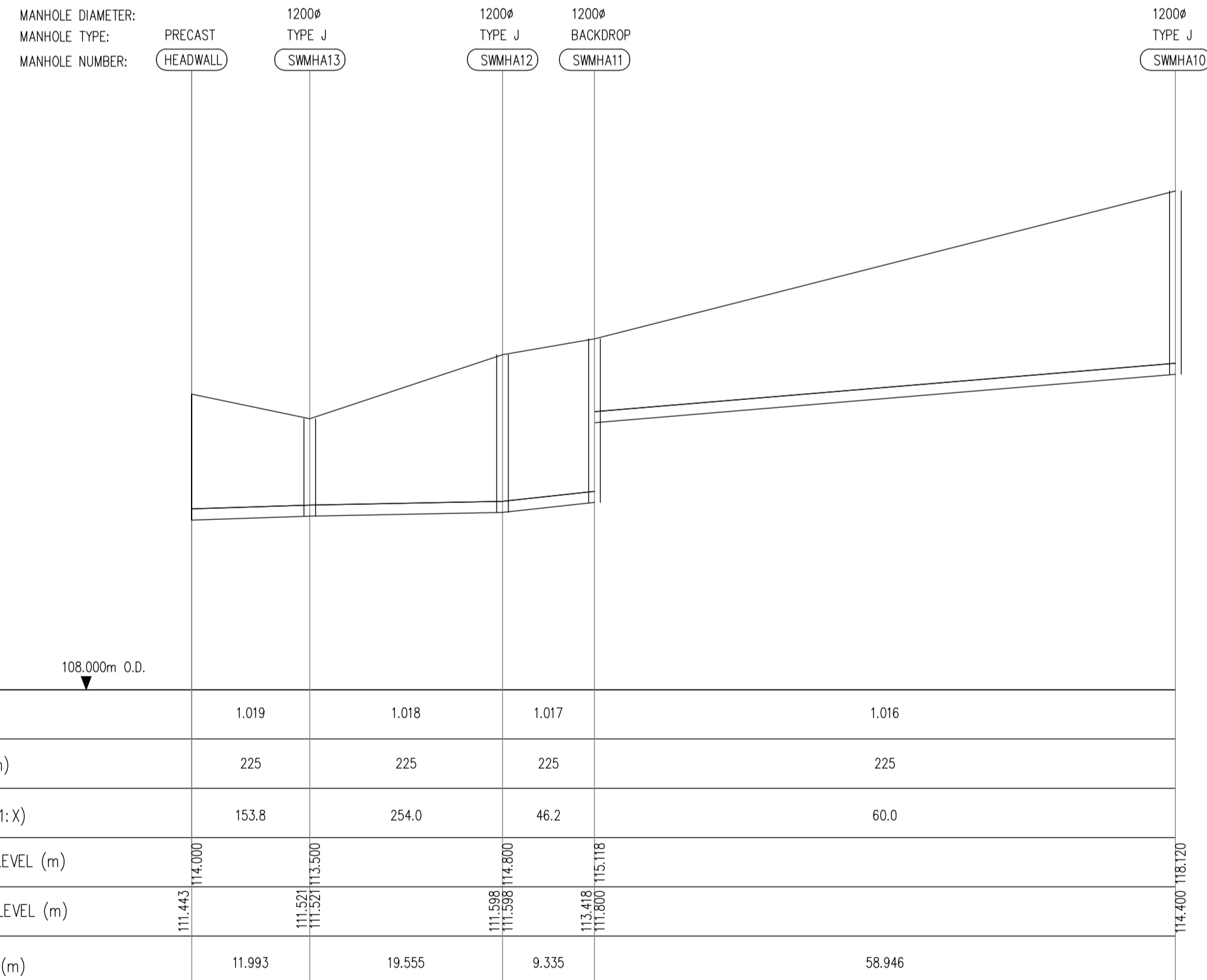
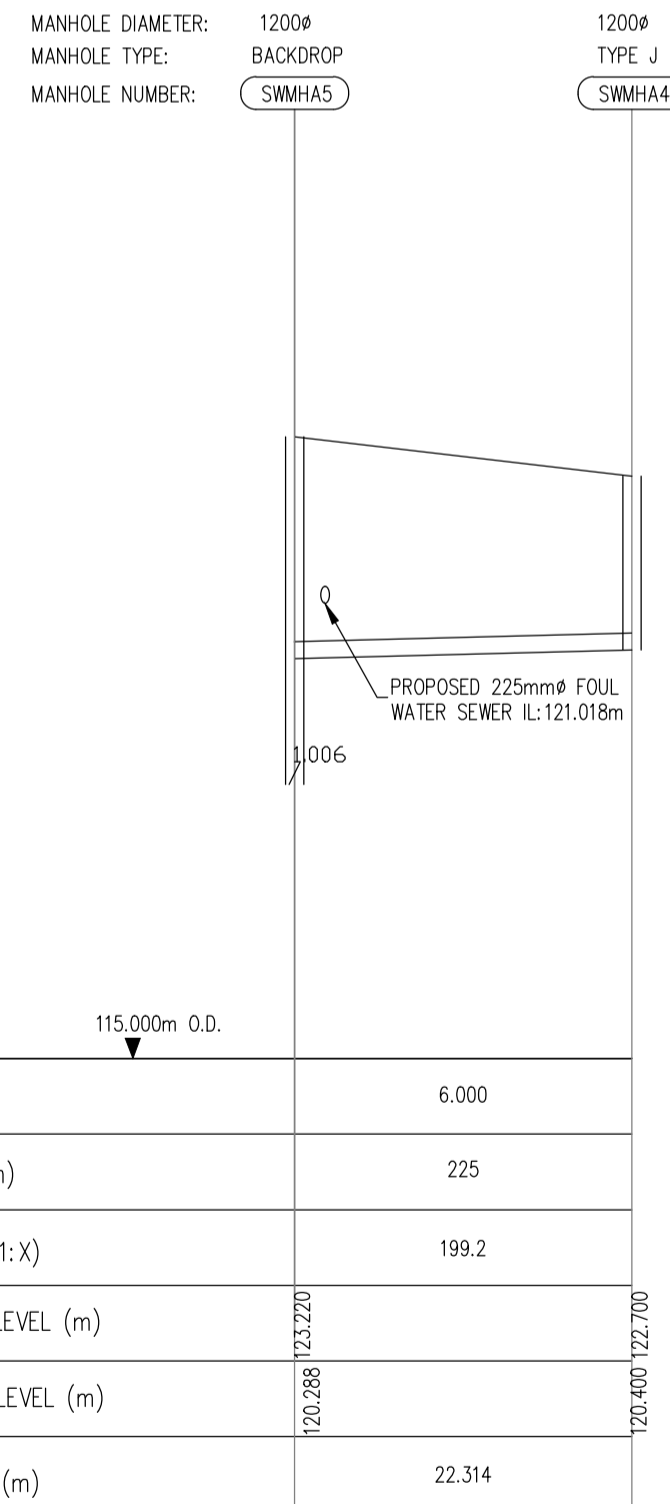


SURFACE WATER SEWER FROM SWMH10 TO HEADWALL OUTFALL TO STREAM
 HORIZONTAL SCALE 1:500
 VERTICAL SCALE 1:100



SURFACE WATER SEWER FROM SWMH10 TO HEADWALL OUTFALL TO STREAM
 HORIZONTAL SCALE 1:500
 VERTICAL SCALE 1:100



SURFACE WATER SEWER FROM SWMH4 TO SWMH5
 HORIZONTAL SCALE 1:500
 VERTICAL SCALE 1:100

PLANNING DRAWING.
 NOT FOR CONSTRUCTION.
 ALL LEVELS GIVEN ARE
 RELATIVE TO ORDNANCE DATUM.
 THIS DRAWING HAS BEEN ISSUED FOR INFORMATION
 PURPOSES ONLY AND MUST NOT BE USED
 FOR CONSTRUCTION UNDER ANY CIRCUMSTANCES

NOTES

- For setting out refer to Architect's drawings.
- This drawing to be read in conjunction with all other Architectural and Engineering drawings and all other relevant drawings and Specifications.
- DO NOT SCALE THIS DRAWING. Use figured dimensions only.
- No part of this document may be reproduced or transmitted in any form or stored in any retrieval system of any nature without the written permission as copyright holder except as agreed for use on the project for which the document was originally issued.
- Ordnance Survey Ireland Licence Number EN 0074022

Rev. No.	Date	REVISION NOTE	Dr. By	Chkd. By
P1	03.03.2022	ISSUED FOR PLANNING STAGE 3	JS	OS

Architect	JFOC Architects			
Project	Edmondstown Lands			
Title	Surface Water Longitudinal Sections Sheet 1 of 3 Catchment A			
Dwg. No.	EDM-CSC-GF-XX-DR-C-0033			
Date	Drn. By	Chkd. By	Aprvd. By	Scale
OCT 2021	JS	OS	OS	AS SHOWN@A1
				Revision
				P1

CS Consulting Group
 DUBLIN | LONDON | LIMERICK

Head Office
 19-22 Dame Street, Dublin 2.
 T: +353 (0)1 5480863
 e: info@csconsulting.ie
 w: www.csconsulting.ie

Quality Environment I.S. EN ISO 9001:2008
 Certified Energy I.S. EN ISO 14001:2004
 Health & Safety OHSAS 18001:2007