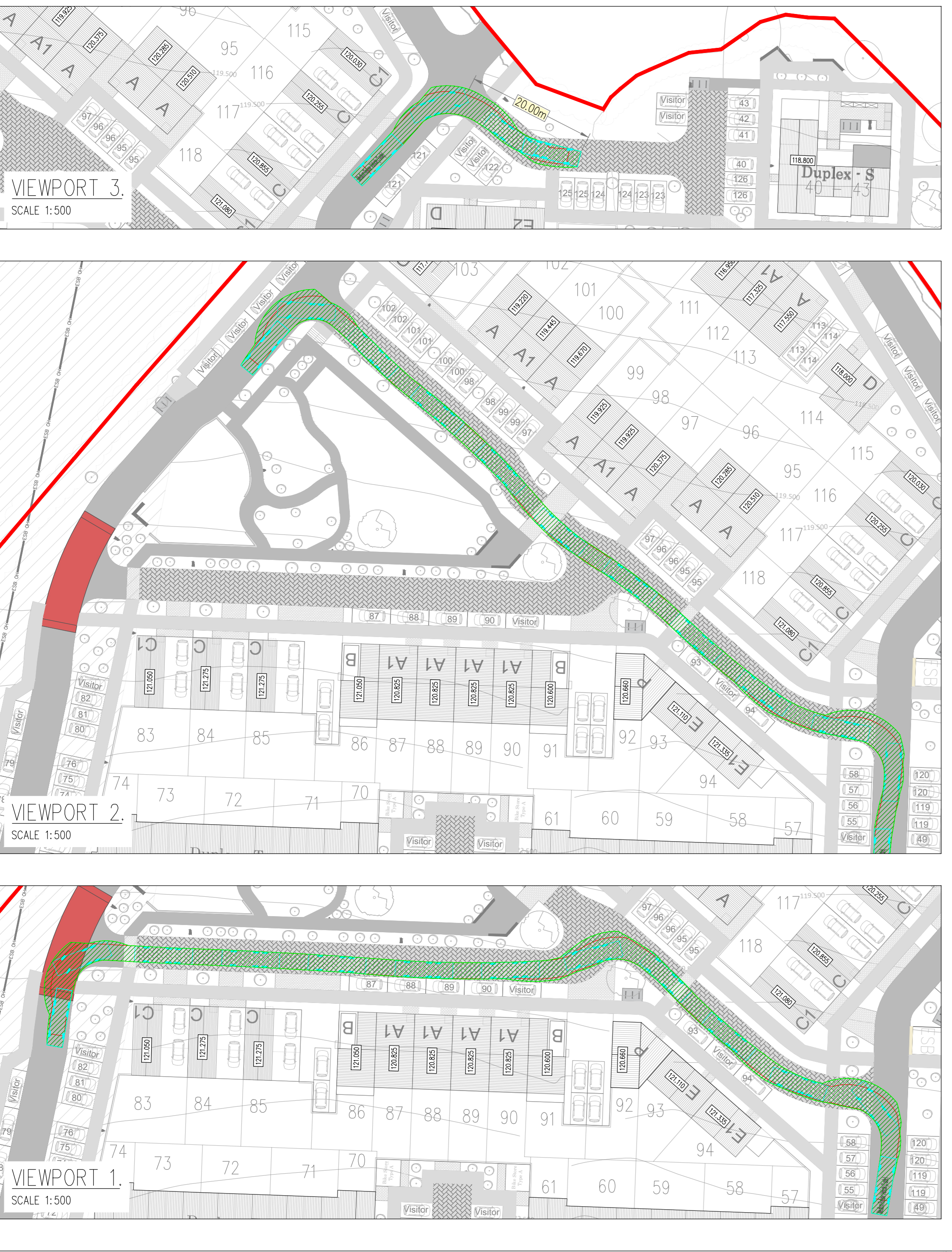
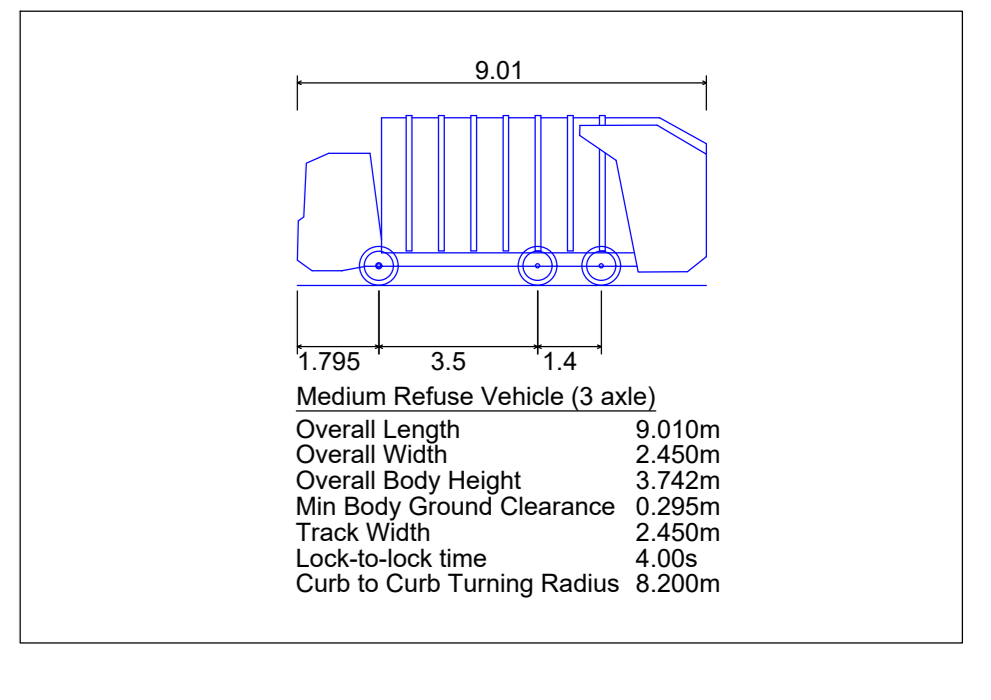
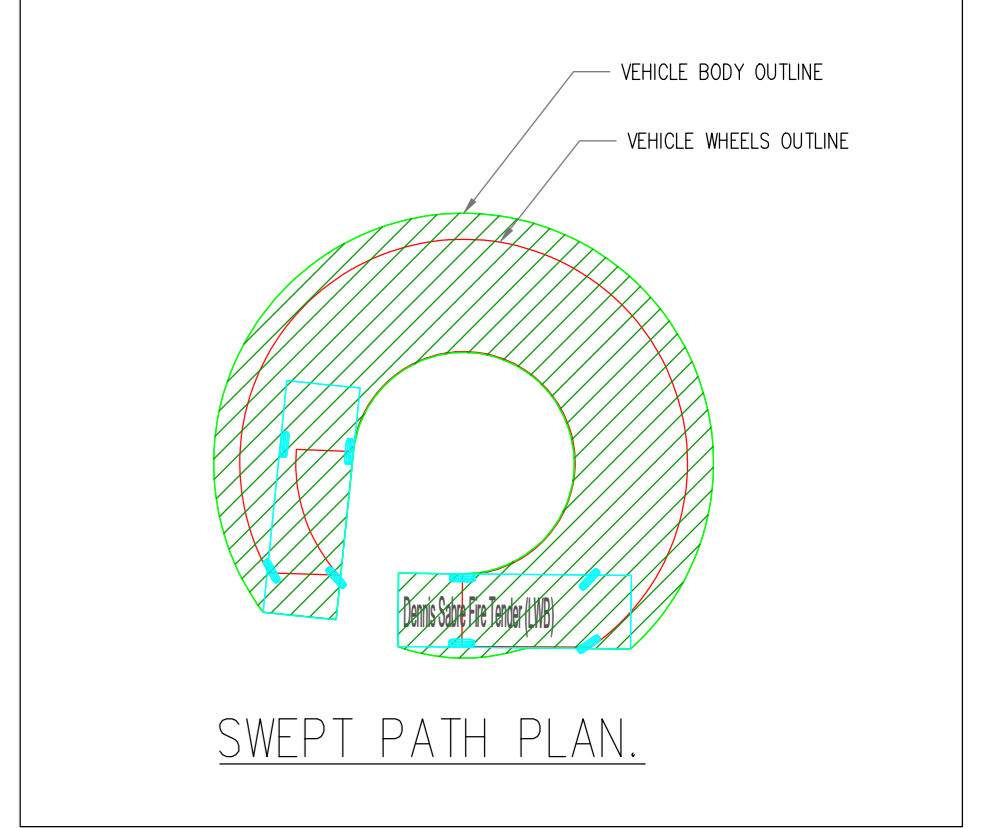


LEGEND:

- PROPOSED ROAD
- PROPOSED CYCLETRACK ON ROAD
- PROPOSED BASEMENT ACCESS RAMPS
- PROPOSED RAISED TABLES
- PROPOSED HOME ZONE
- SITE BOUNDARY



PLANNING DRAWING
NOT FOR CONSTRUCTION THIS DRAWING HAS BEEN ISSUED FOR INFORMATION PURPOSES ONLY AND MUST NOT BE USED FOR CONSTRUCTION UNDER ANY CIRCUMSTANCES

NOTES

- For settings out refer to Architect's drawings.
- This drawing to be read in conjunction with all other Architectural and Engineering drawings and all other relevant drawings and Specifications.
- DO NOT SCALE THIS DRAWING. Use figured dimensions only.
- No part of this document may be reproduced or transmitted in any form or stored in any retrieval system of any nature without the written permission of copyright holder except as agreed.
- Use on the project for which the document was originally issued.
- Ordnance Survey Ireland Licence Number EN 0074022

Rev. No.	Date	REVISION NOTE	Des. By	Chk. By
P1	03.10.2022	ISSUED FOR PLANNING STAGE 1	JS	GS

Architect: **JFOC Architects**
Edmondstown Lands
Project: **Sweep Path Analysis Refuse Vehicle**
Title: **Sweep Path Analysis Refuse Vehicle**
Date: OCT 2021
Scale: 1:500/640
Revision: **P1**

CS Consulting Group
DUBLIN | LONDON | LIMERICK
Head Office: 19-22 Dame Street, Dublin 2
Tel: +353 (0)1 5480903
Email: info@csconsulting.ie
www.csconsulting.ie
Quality: ISO 9001:2008
Environment: ISO 14001:2004
Health & Safety: OHSAS 18001:2007