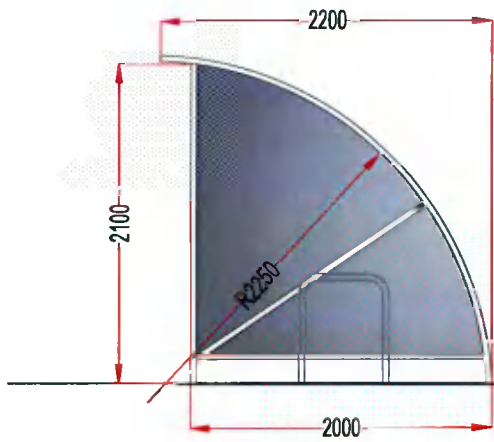


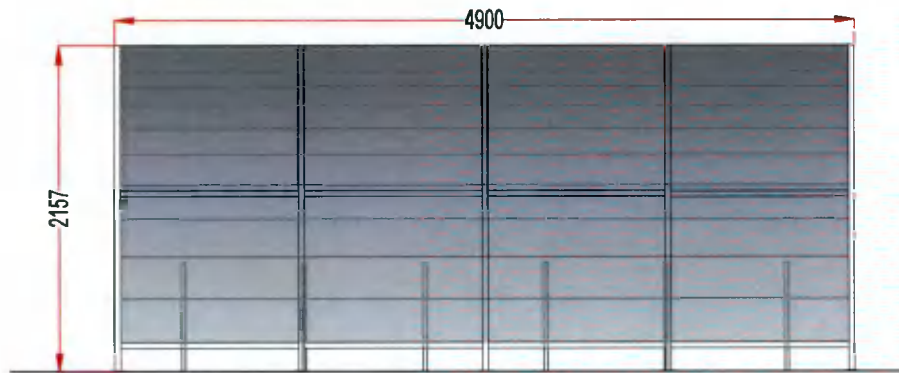
A4



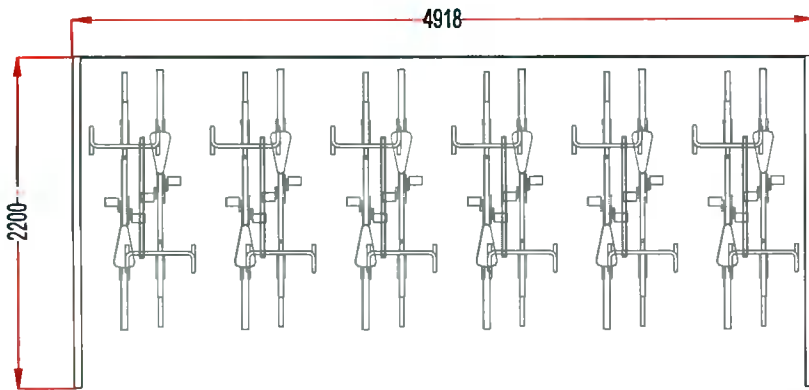
SIDE ELEVATION



INTERNAL ELEVATION



EXTERNAL ELEVATION



FLOOR PLAN

Job Title
**WAREHOUSE DEVELOPMENT AT
 MAGNA AVENUE, MAGNA BUSINESS PARK,
 DUBLIN 24, Co. DUBLIN**

Drawing Title
COVERED BIKE PARK

Drawn TK
 Checked PK
 Approved PK
 Scales 1:50 @A4
 Date JANUARY 2022

KAVANAGH BURKE
 CONSULTING ENGINEERS

Tel. 01 - 450 0694 Unit F3, Calmount Park,
 Fax. 01 - 426 4340 Ballymount,
 Email kavanagh@kavanaghburke.ie Dublin 12

Architect/Client
ROCKFACE DEVELOPMENTS LTD.

Drawing Status
PLANNING

Job No. D1720 Drawing No. GA-A09 Rev. PL1