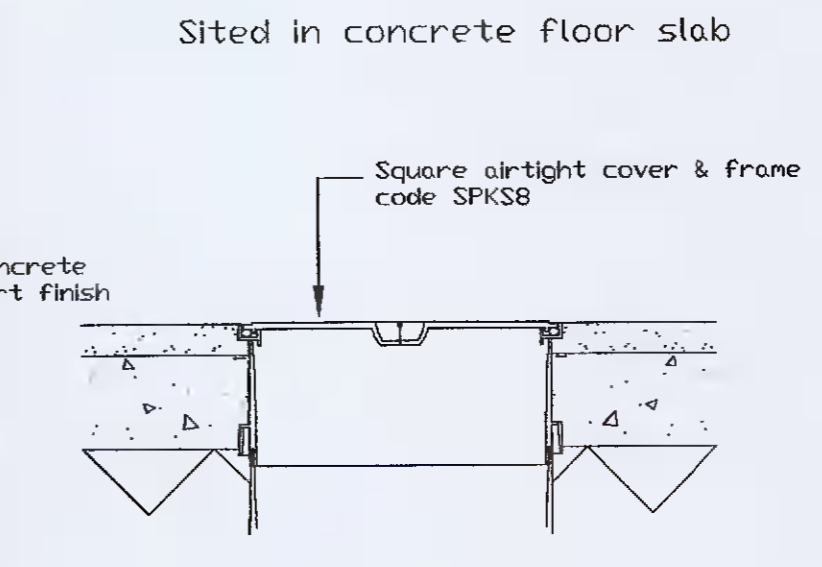
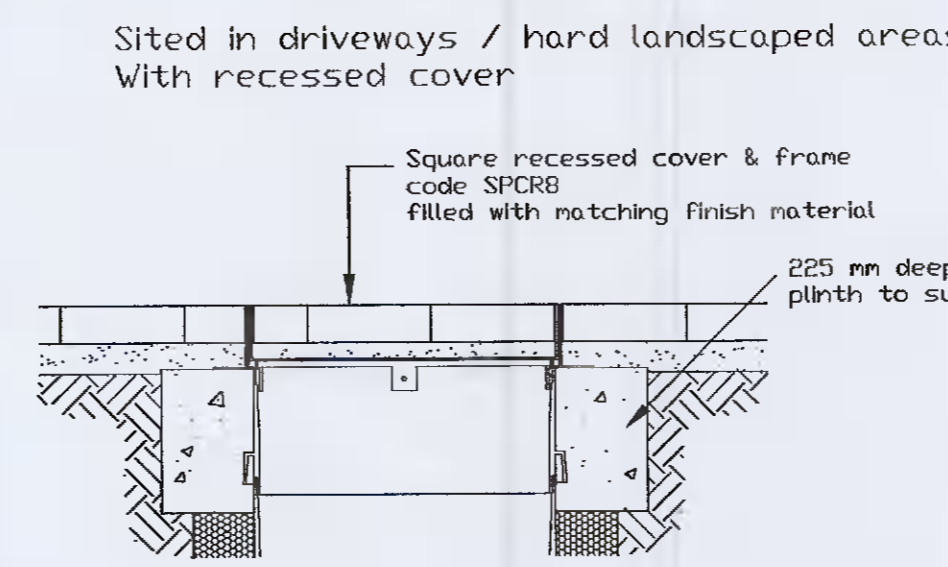
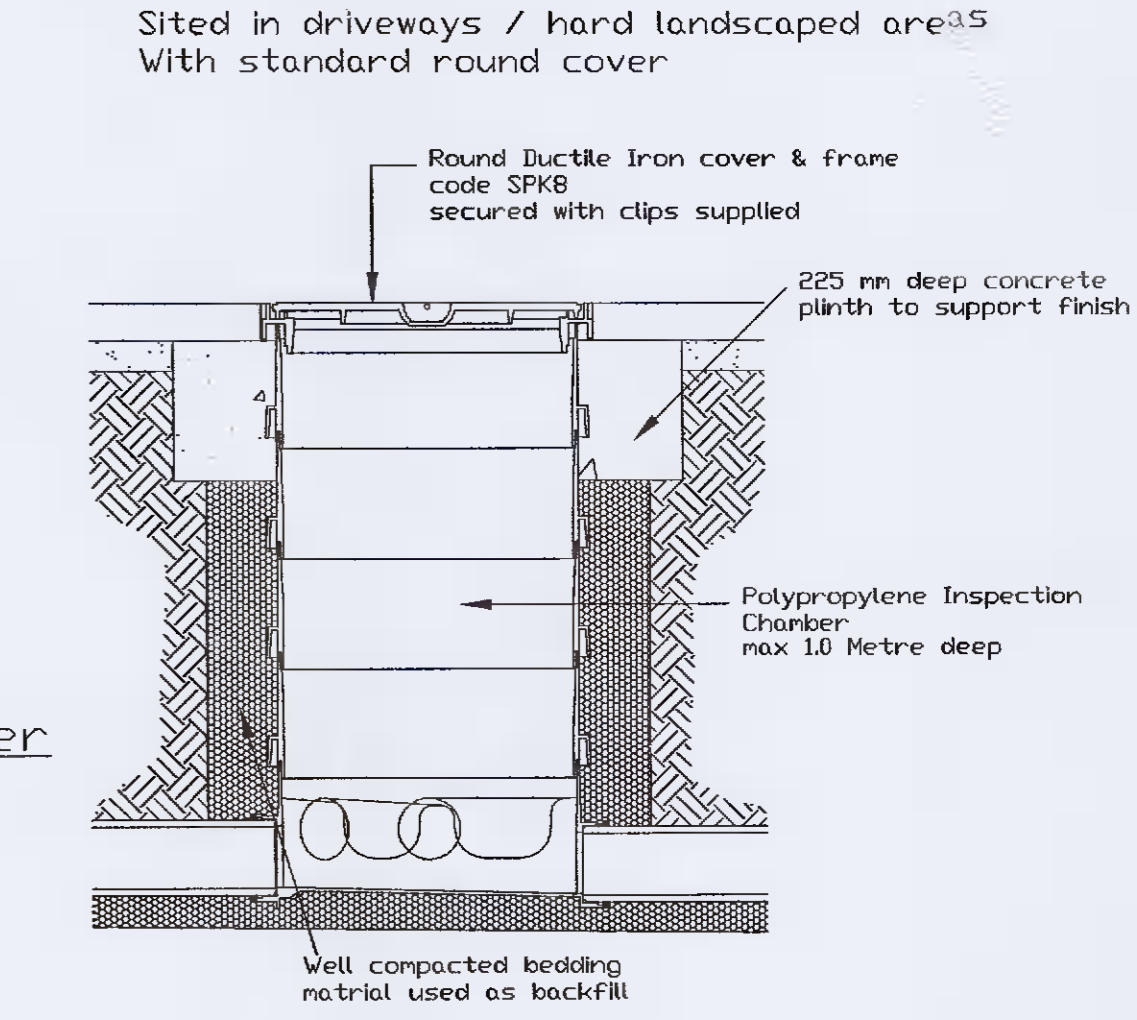


TYPICAL MANHOLE DETAILS
SCALE: 1:20

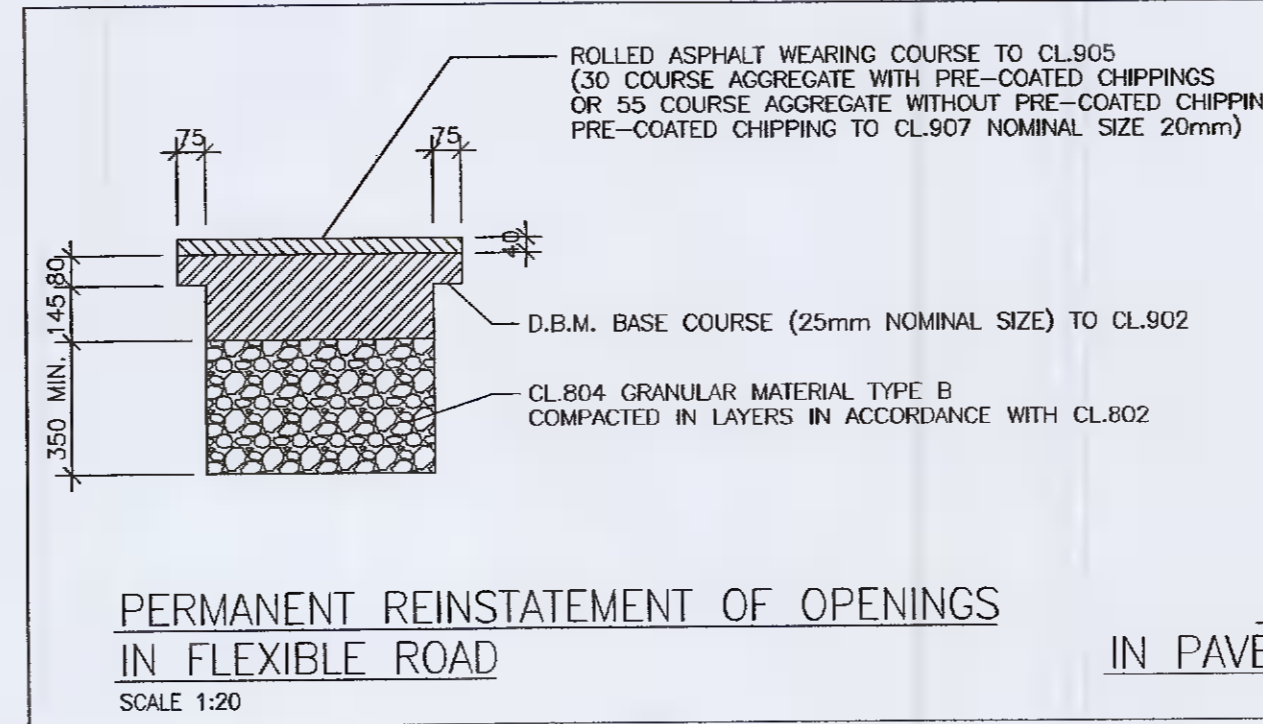


Polypropylene Inspection Chamber Installation Detail

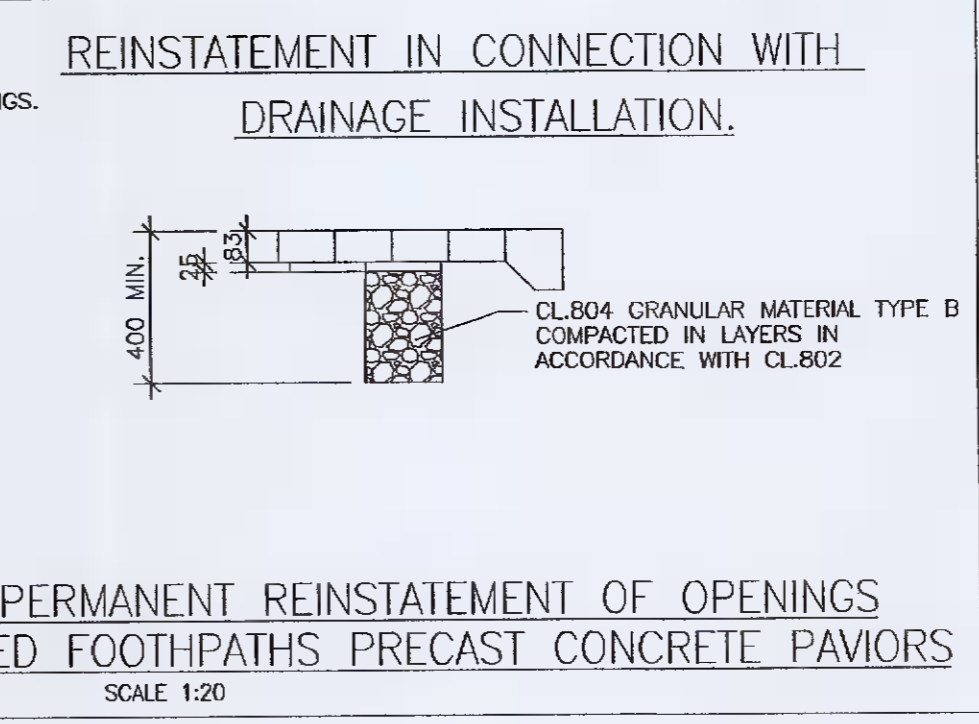


SHALLOW MANHOLE
Max. dept to . I.L. 2700mm
Min size 1200mm x 1200mm Internally
Manhole cover min size 600mm x 600mm

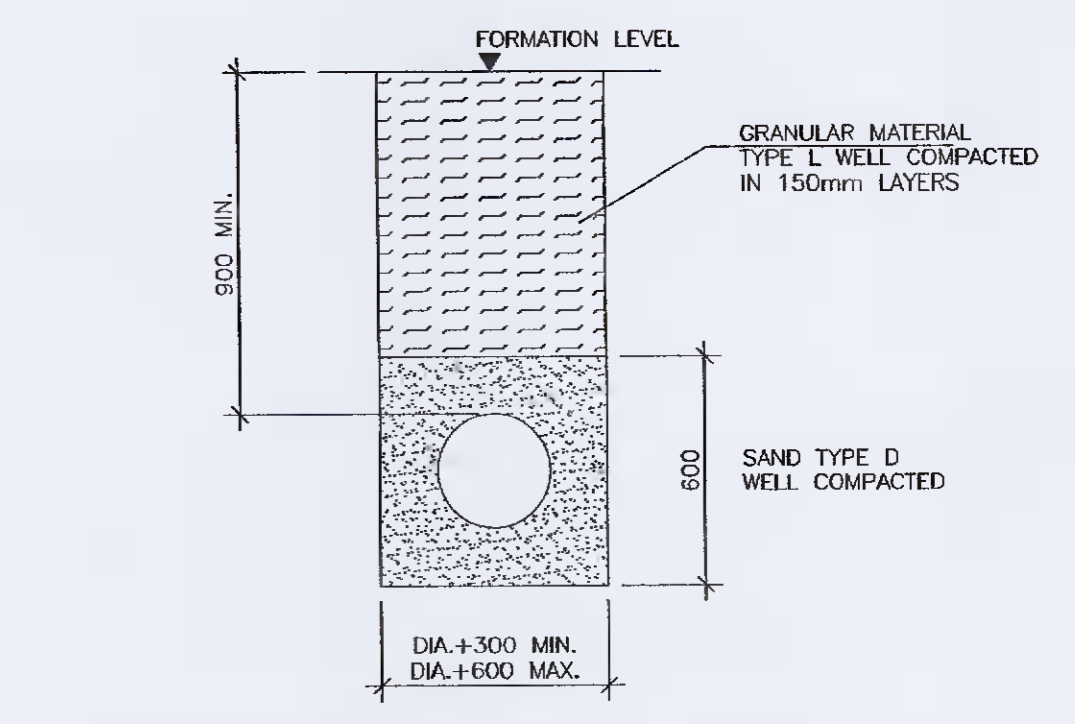
RECESSED COURSES TO ALLOW INTEGRAL FLOOR FINISHES



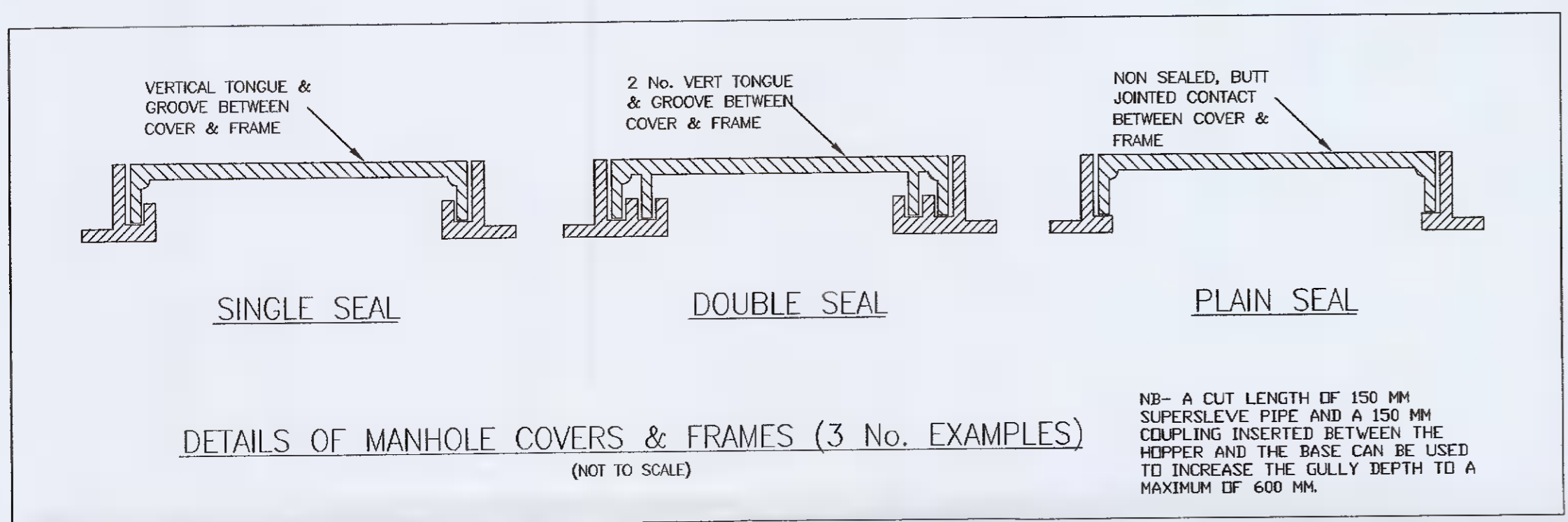
PERMANENT REINSTATEMENT OF OPENINGS IN FLEXIBLE ROAD
SCALE 1:20



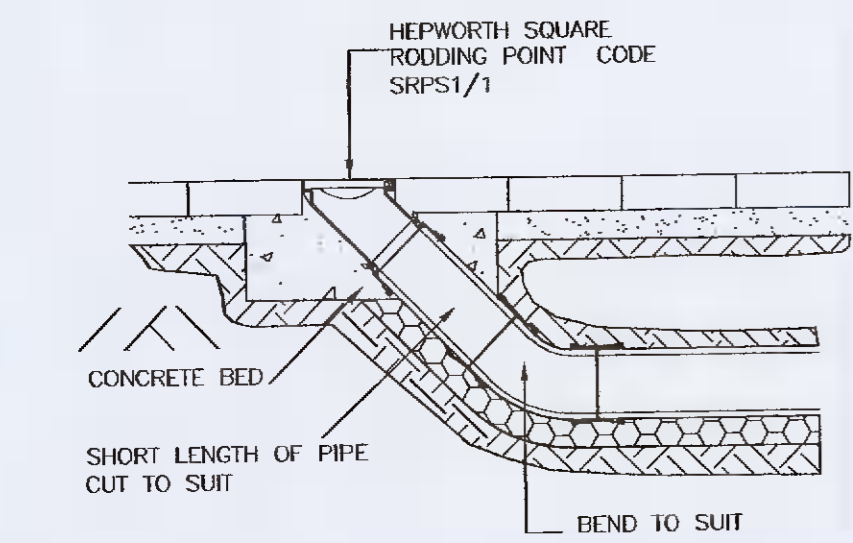
PERMANENT REINSTATEMENT OF OPENINGS IN PAVED FOOTPATHS PRECAST CONCRETE PAVIERS
SCALE 1:20



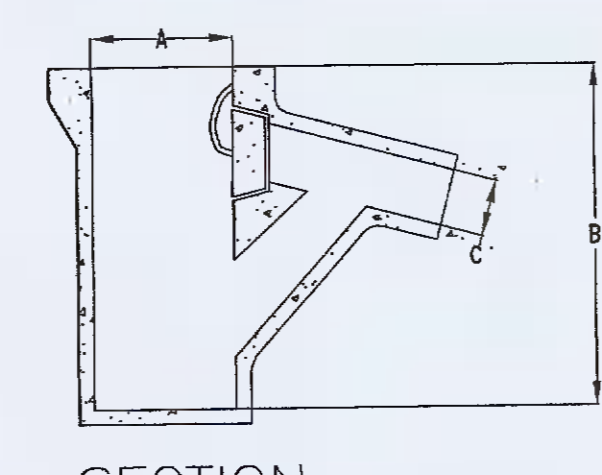
BEDDING AND PROTECTION TO SEWER PIPE
SCALE 1:20



DETAILS OF MANHOLE COVERS & FRAMES (3 No. EXAMPLES)
(NOT TO SCALE)



RODDING POINT AT HEAD OF DRAIN
SCALE 1:20

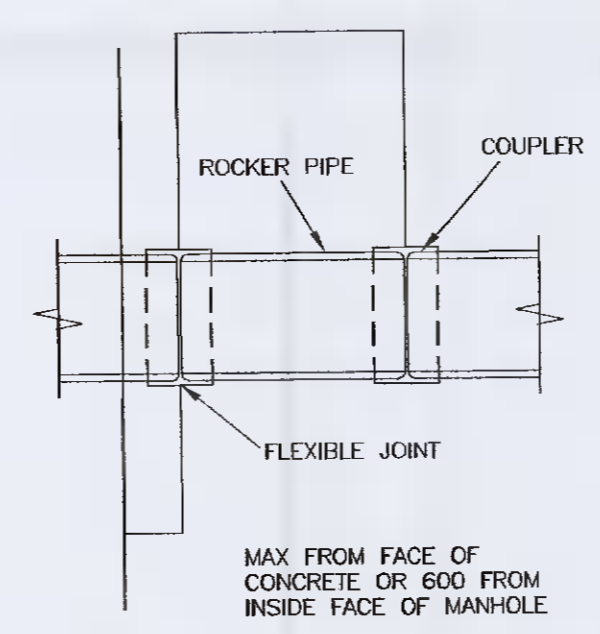


SECTION
PRECAST GAS TRAPPED GULLY PIT

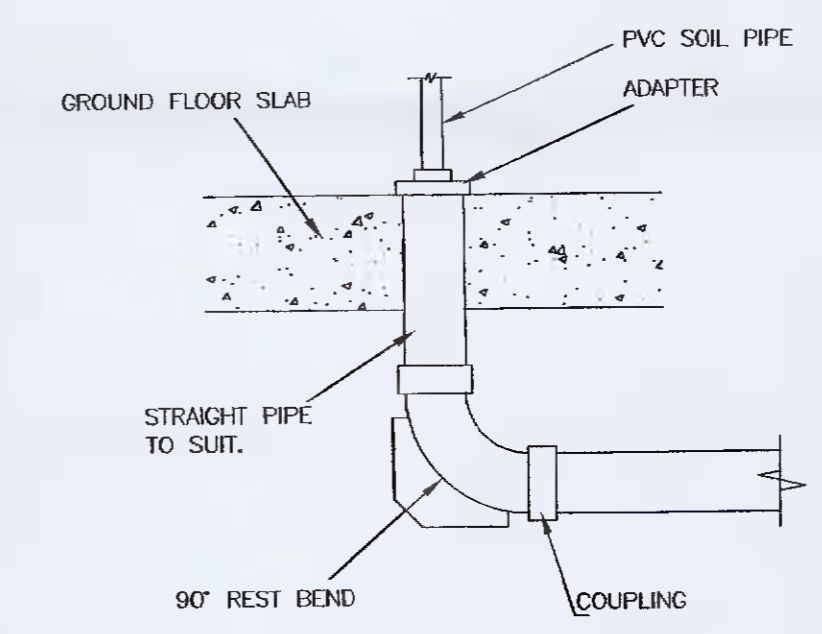
ROAD GULLIES

	A	B	C
INTERNAL DIAMETER mm	375	450	450
INTERNAL DEPTH mm	750	900	900
OUTLET DIAMETER mm	150	150	150

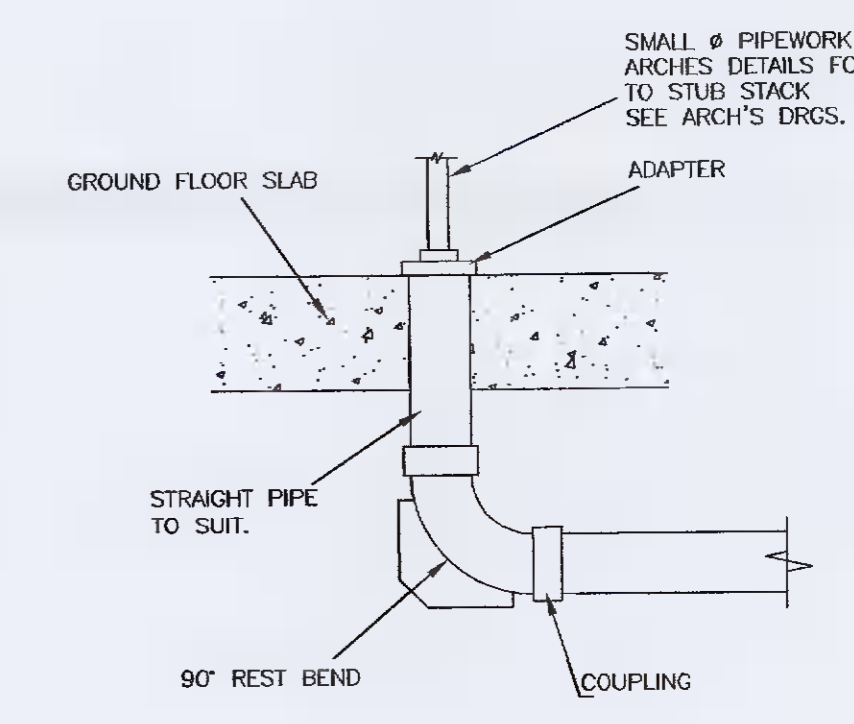
ALL GULLIES TO BE TRAPPED - GAS TRAPPED GULLIES TO B.S. 5911 PART 2



TYPICAL ROCKER PIPE DETAIL
SCALE 1:20



CONNECTION FOR SVP.
SCALE 1:20

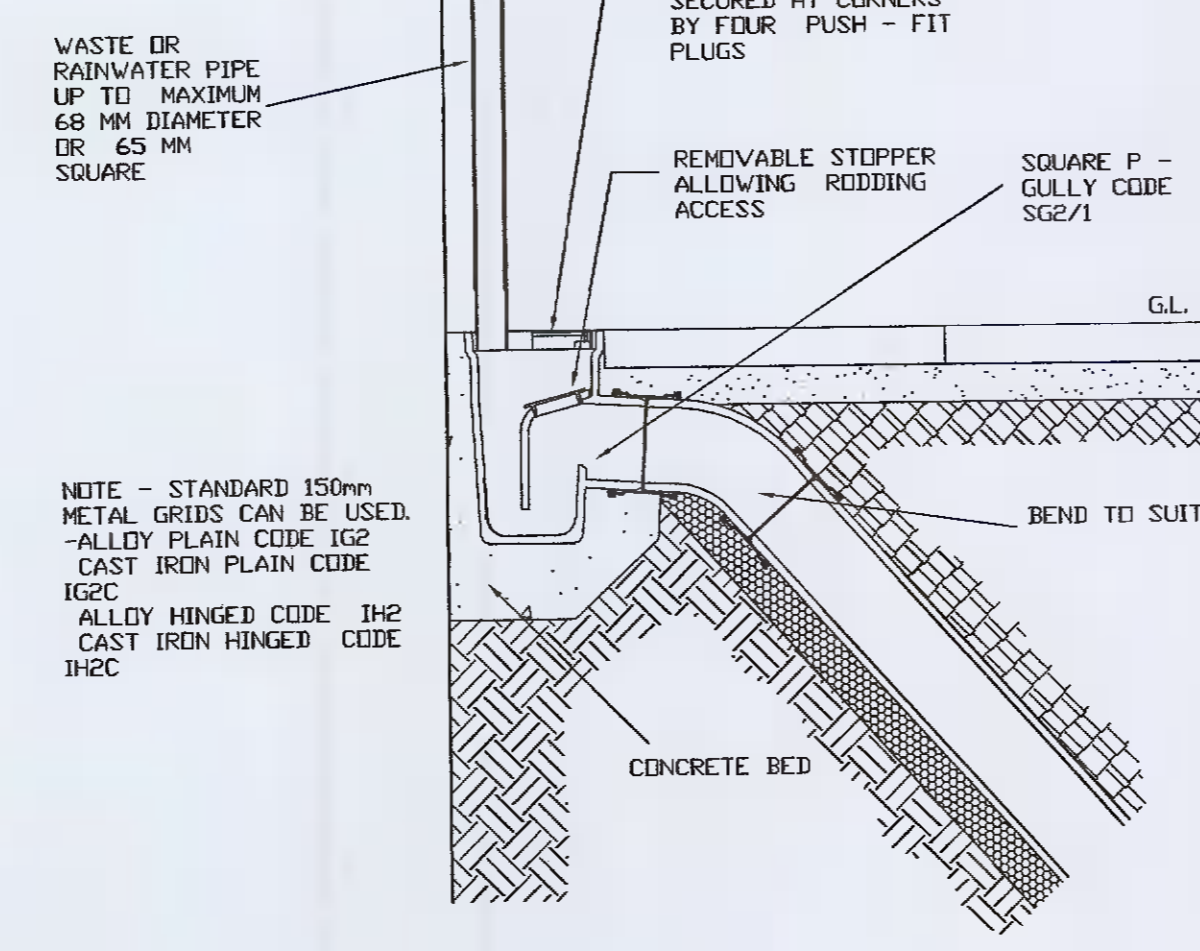


CONNECTION FOR STUB STACK
SCALE 1:20

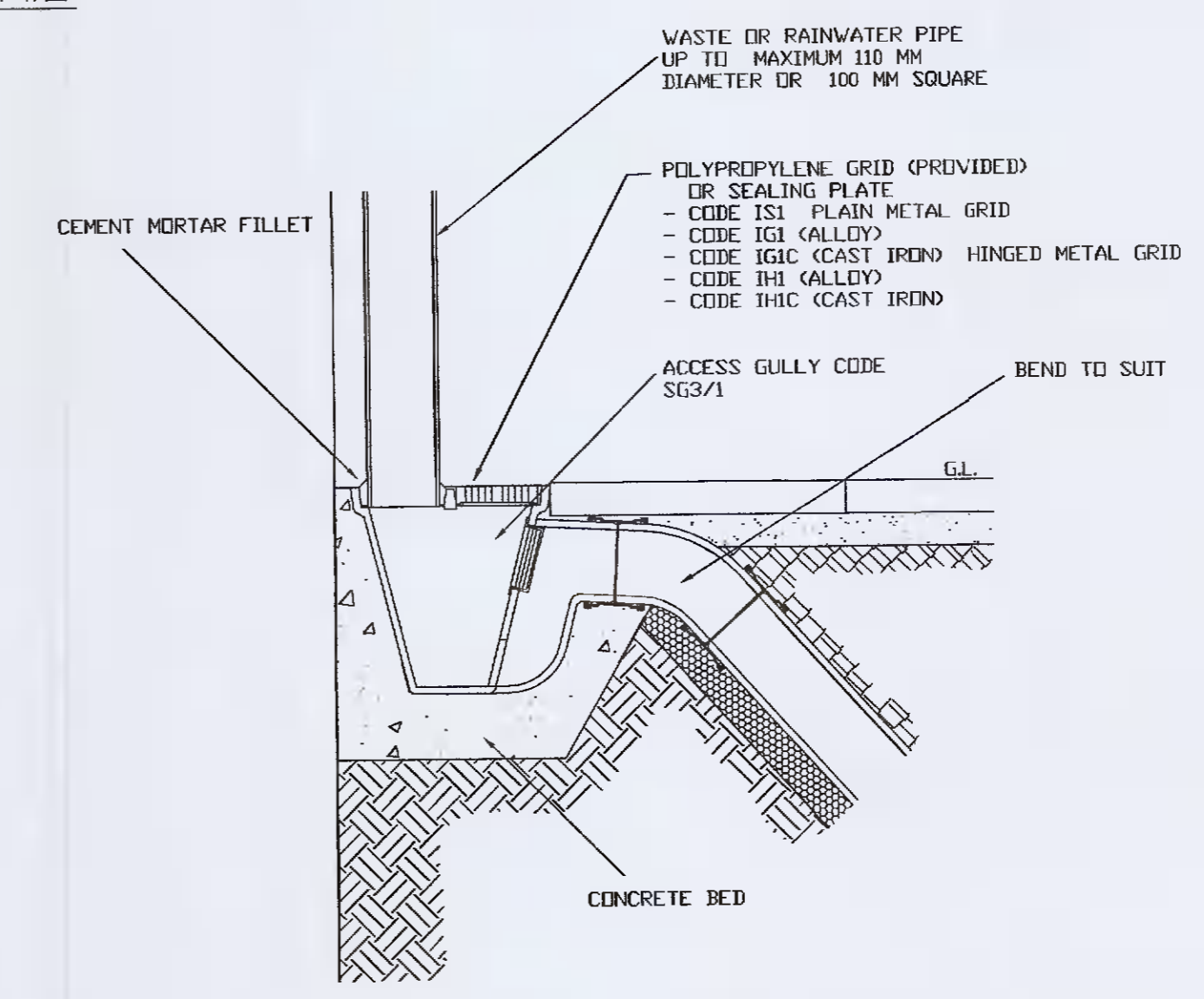
SCHEDULE OF PIPE TRENCH WIDTHS

NOMINAL INTERNAL DIAMETER mm	MINIMUM TRENCH WIDTH mm	MAXIMUM TRENCH WIDTH mm
100	450	650
150	500	700
225	600	800
300	700	900
450	900	1150
525	1050	1250
600	1150	1350
675	1250	1450
750	1350	1550
825	1400	1600
900	1500	1700
1050	1550	2150
1200	2100	2300
1200	2300	2500

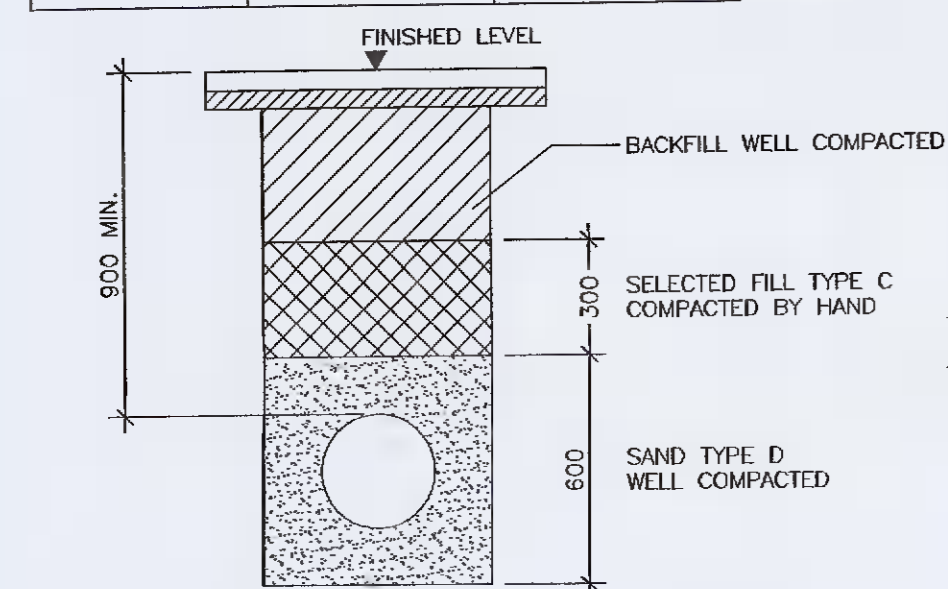
PIPE Ø	MINIMUM Ø OF MANHOLE
< 375mm. Ø	1200mm. internal Ø
375 - 450mm. Ø	1200mm. internal Ø
450 - 700mm. Ø	1500mm. internal Ø
750 - 900mm. Ø	1800mm. internal Ø
750 - 900mm. Ø	1800mm. internal Ø



INLETS UP TO 65mm DIA.
ACCESS GULLY WITH INTEGRAL VERTICAL BACK INLET
SCALE 1:10



INLETS UP TO 110mm DIA.



BEDDING AND PROTECTION TO SEWER PIPE UNDER FOOTPATH
SCALE 1:20

PLANNING SUBMISSION

O'Reilly Design
Consulting Structural & Civil Engineers
162 Upper Road, Carrickfergus,
Co. Antrim, N. Ireland.
Tel: +44-2893-367554
E-mail: top@sky.com
www.oreillydesign.co.uk

London Office: 34 Chalfont Road, Watlington, Oxford, OX12 2EA : Tel: 0797-963590

Job Title:
RESIDENTIAL-HOUSE-EXTENSION
657-WHITECHURCH-ROAD,
RATHFARNHAM-DUBLIN-16.

Architect:
IRVINE-NASH-ARCHITECTS
Scales @ A1: Drawn By: Checked By: Date:
1:50 SOR J.F. Jan'21

Drawing Title:
DRAINAGE-DETAILS
SHEET-1
Job No: Drawing No: Rev:
S-ORD-461 D200 -

Copyright
No part of this document may be re-produced or transmitted in any form or stored in any retrieval system of any nature without the written permission of the Consulting Engineer as copyright holder except as agreed for use on the project for which the document was originally issued.