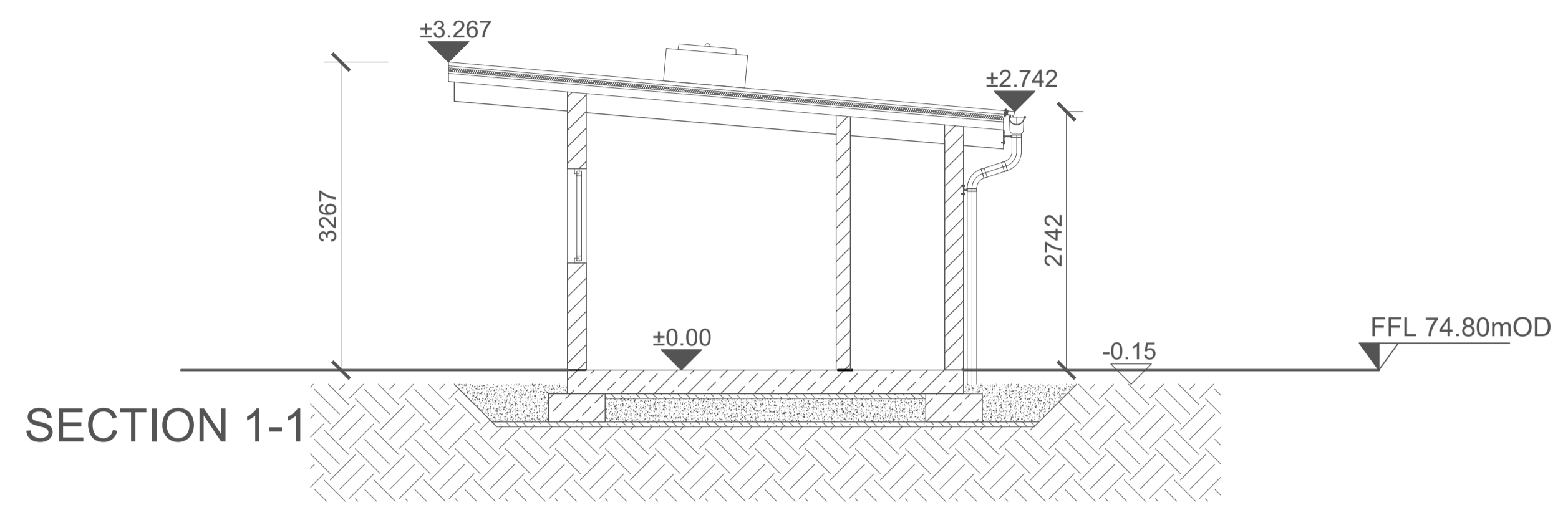
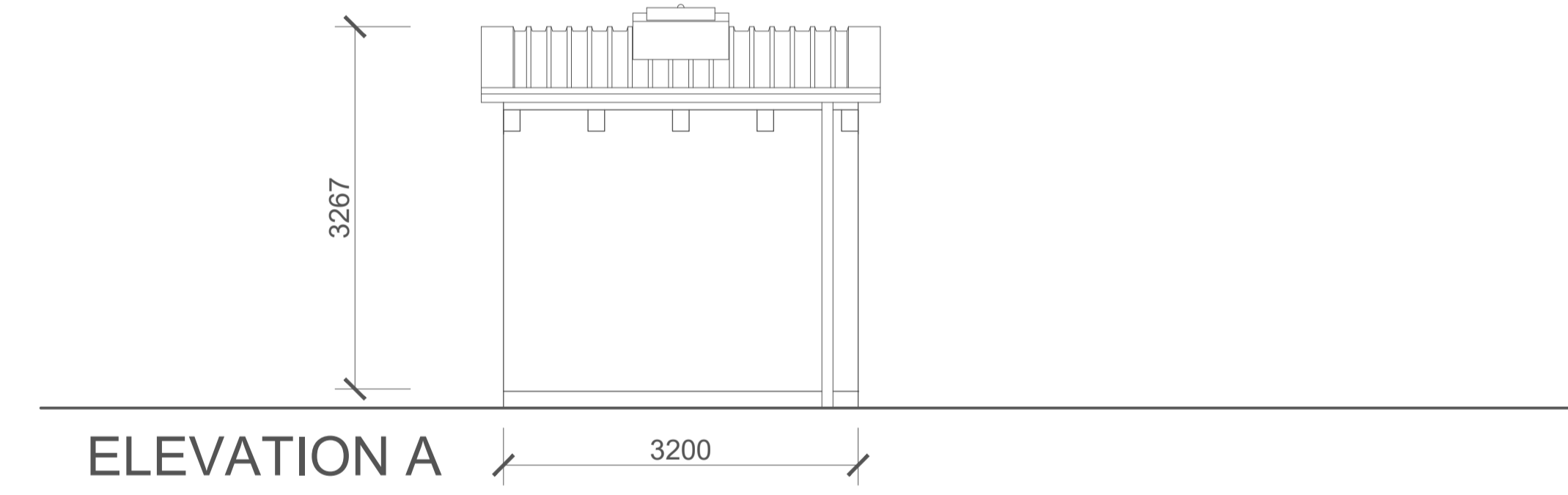


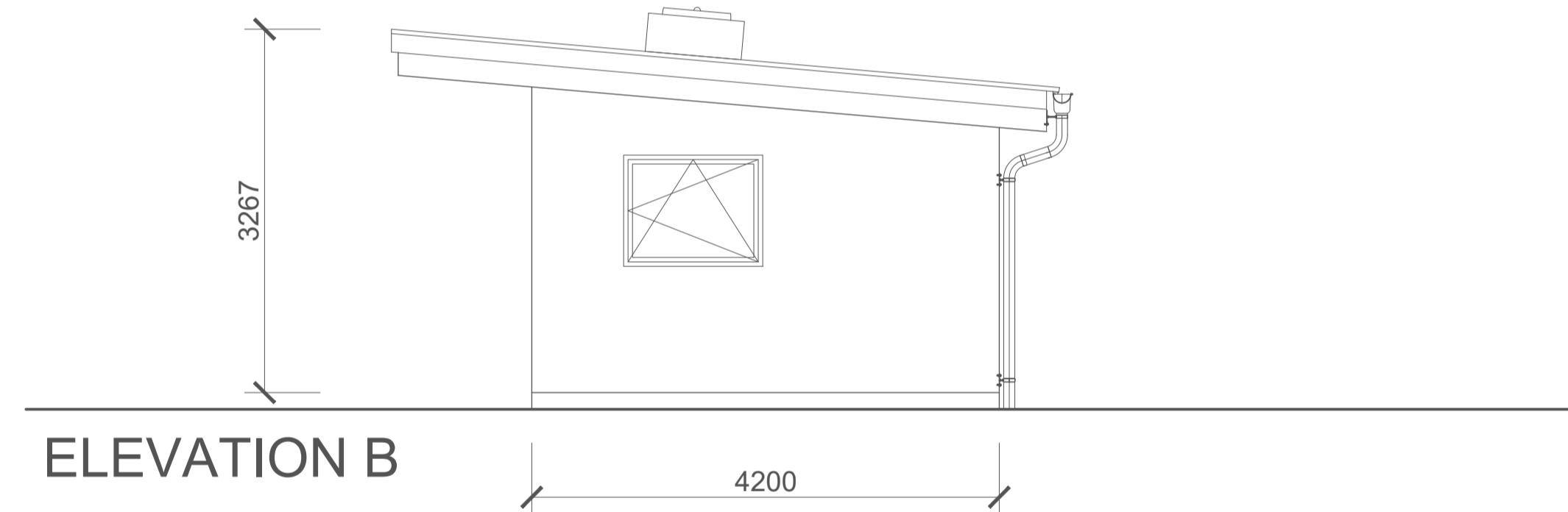
GROUND FLOOR



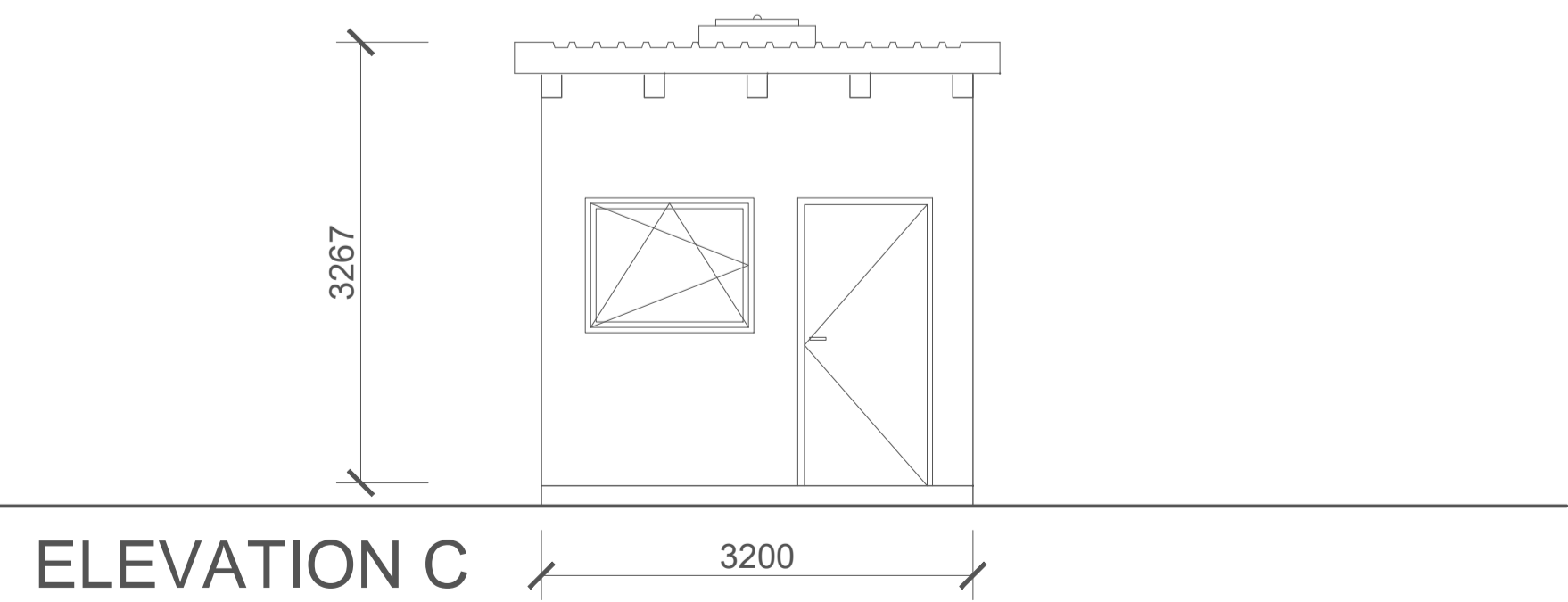
SECTION 1-1



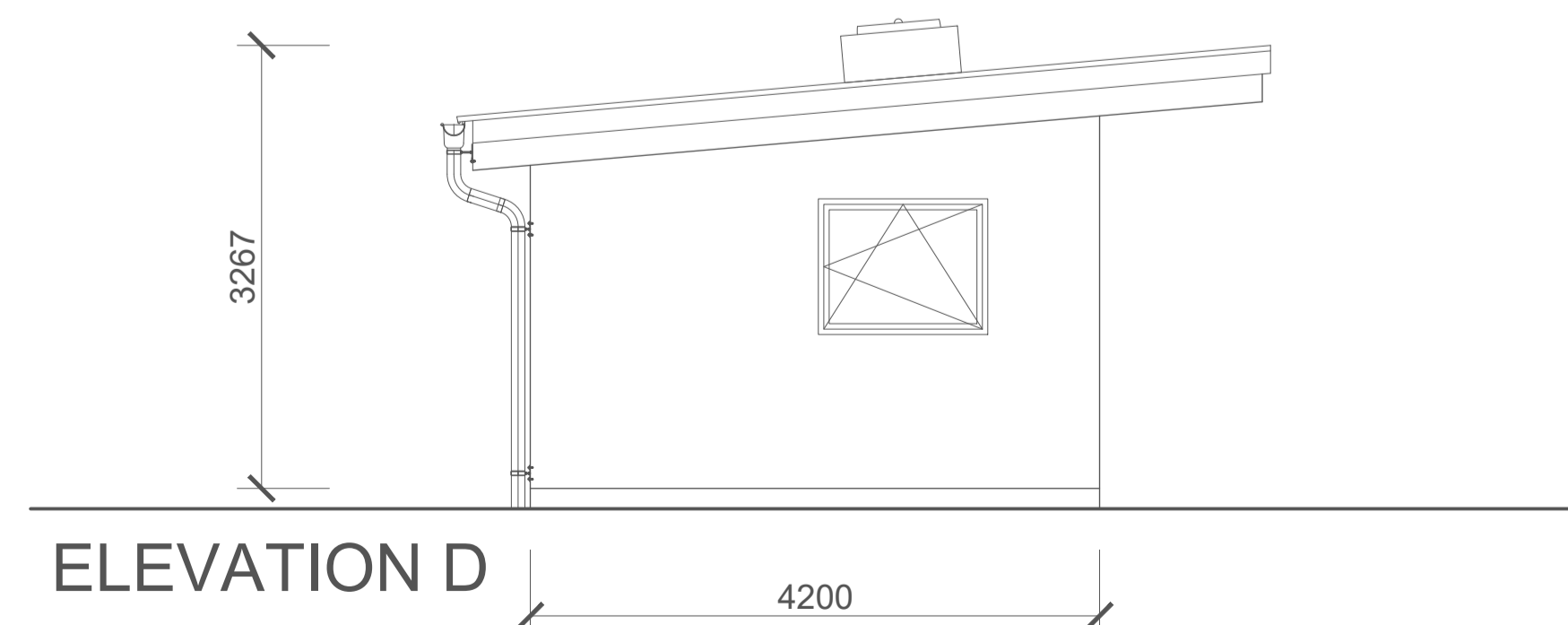
ELEVATION A



ELEVATION B



ELEVATION C



ELEVATION D

- NOTES:
- FIGURED DIMENSIONS ONLY TO BE TAKEN FROM THIS DRAWING.
 - ALL DRAWINGS TO BE CHECKED BY THE CONTRACTOR ON SITE
 - ENGINEER/EMPLOYERS REPRESENTATIVE, AS APPROPRIATE, TO BE INFORMED BY THE CONTRACTOR OF ANY DISCREPANCIES BEFORE ANY WORK COMMENCES
 - THE CONTRACTOR SHALL UNDERTAKE A THOROUGH CHECK FOR THE ACTUAL LOCATION OF ALL SERVICES/UTILITIES, ABOVE AND BELOW GROUND, BEFORE ANY WORK COMMENCES
 - ALL LEVELS SHOWN RELATE TO ORDANCE SURVEY DATUM AT MALIN HEAD

As agreed with South Dublin County Council in the pre-application consultation meeting the final finishes, including cladding materials and colour codes, will be agreed with the Council post planning through planning condition. Greener Ideas Limited will ensure only Council approved finished are applied on site.

| Rev | Date | Description | By | Chkd. |
|-----|----------|----------------|----|-------|
| A | 02.03.22 | PLANNING ISSUE | MN | MMcC |

Client:

Project: **PROFILE PARK POWER PLANT**

Title: **SECURITY HUT PLAN, ELEVATIONS & SECTION**

| | | |
|-------------------|-------------|------------|
| Scale @ A1: | 1:50 | |
| Prepared by: | Checked: | Date: |
| M. Nolan | M. McCarthy | March 2022 |
| Project Director: | S. Tinnelly | |
| Drawing Status: | Planning | |

TOBIN
CONSULTING ENGINEERS

Block 10-4, Blanchardstown Corporate Park,
Dublin 15, Ireland.
tel: +353-(0)1-8030406
fax: +353-(0)1-8030409
e-mail: dublin@tobin.ie
www.tobin.ie

TOBIN Consulting Engineers will not be liable for any use of this document for any purpose other than that for which it was originally prepared and issued. Enquiries where appropriate, should explicitly refer to TOBIN Consulting Engineers. Its copyright in this document may be reproduced or transmitted in any form and this document shall not be relied upon by any third party for any purpose.

Drawing No.: **11069-2053** Revision: **A**