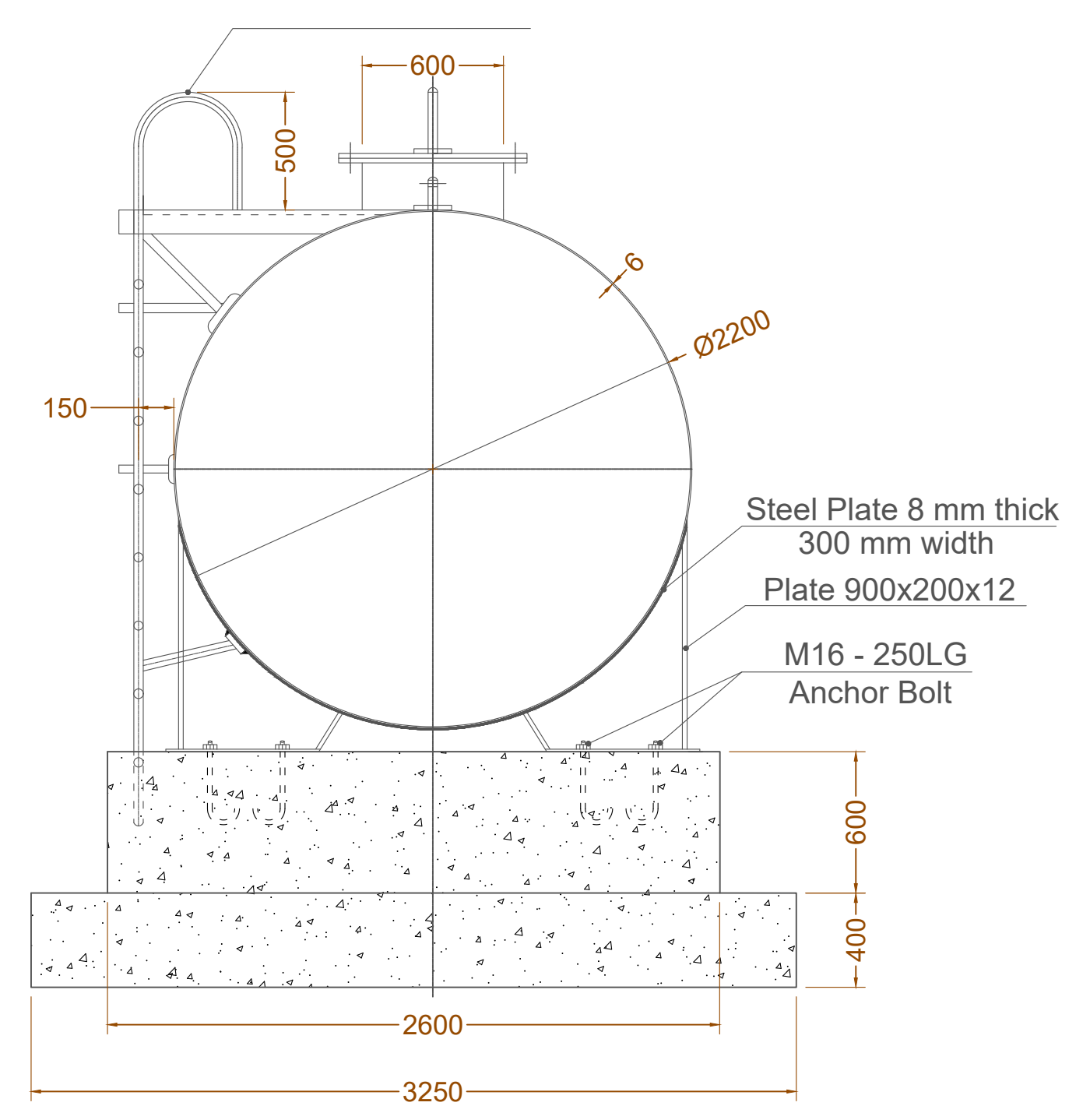
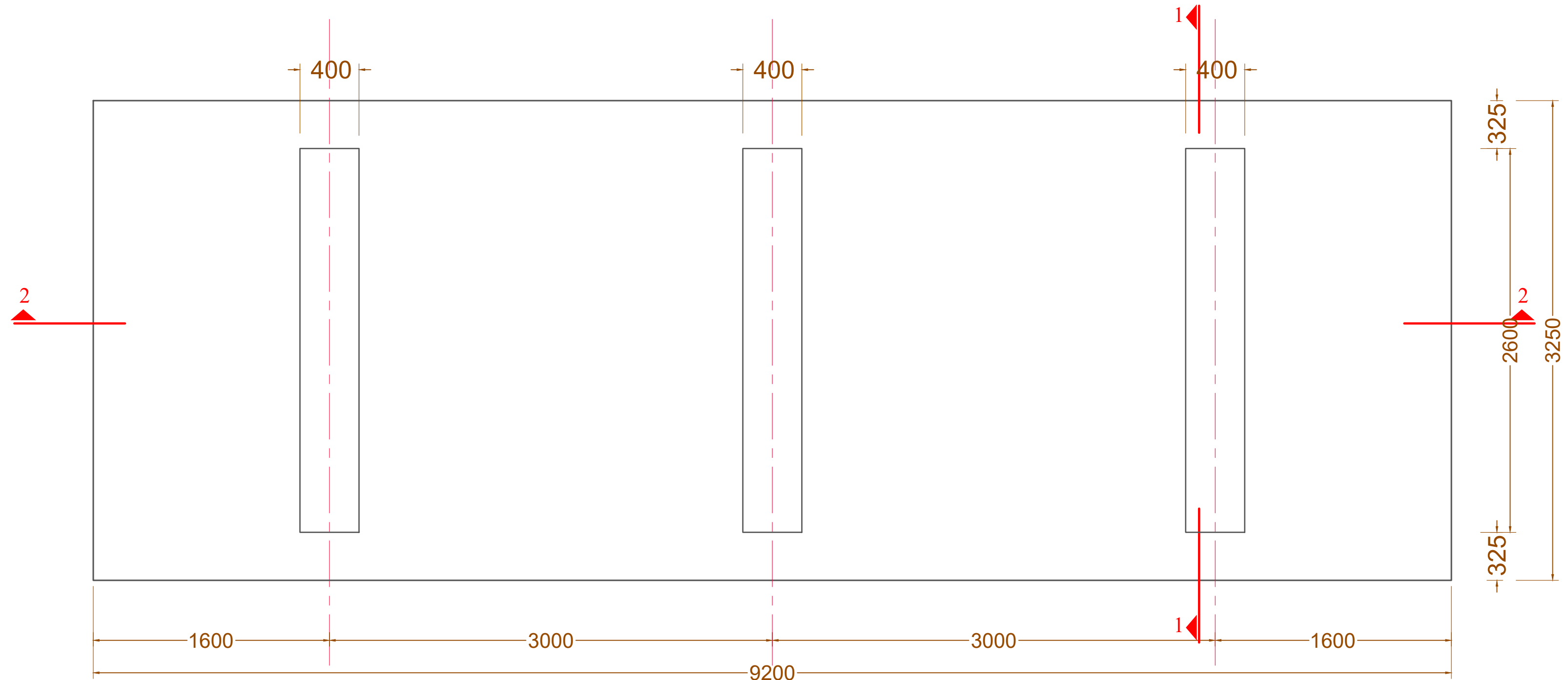


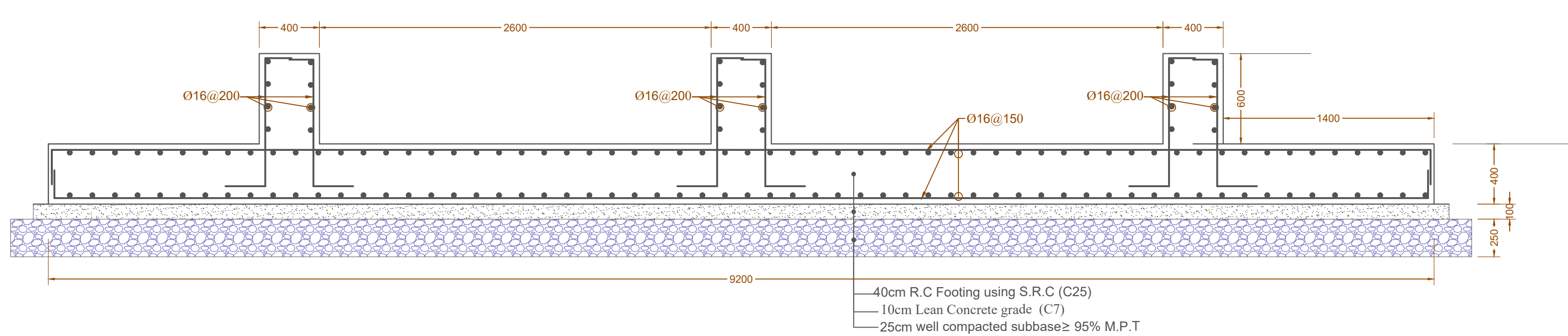
FRONT VIEW  
SC. 1:20



SIDE VIEW -A-  
SC. 1:20



Foundation Plan  
Sc1:20.



Section 2-2  
Sc1:20.

Rev	Date	Description	By	Chkd.
A	02.03.22	PLANNING ISSUE	MN	MMcC

Client:

Project: PROFILE PARK POWER PLANT

Title: TREATED WATER TANK TYPICAL DETAILS

Scale @ A1: 1:20

Prepared by: M. Nolan	Checked: M. McCarthy	Date: March 2022
Project Director: S. Tinnelly		
Drawing Status: Planning		

**TOBIN**  
CONSULTING ENGINEERS

Block 10-4, Blanchardstown Corporate Park,  
Dublin 15, Ireland.  
tel: +353-(0)1-8030406  
fax: +353-(0)1-8030409  
e-mail: dublin@tobin.ie  
www.tobin.ie

Drawing No.: 11069-2050

Revision: A