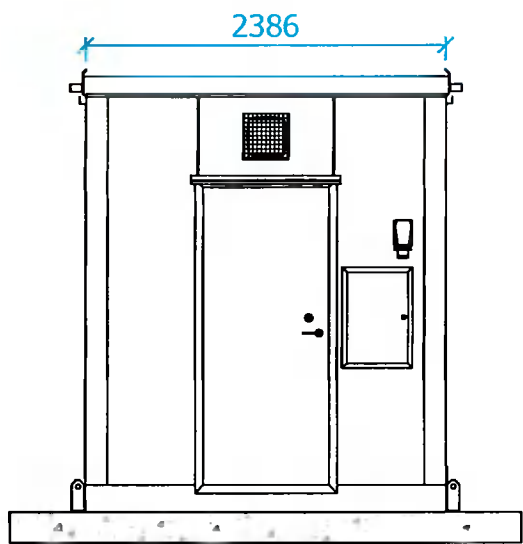
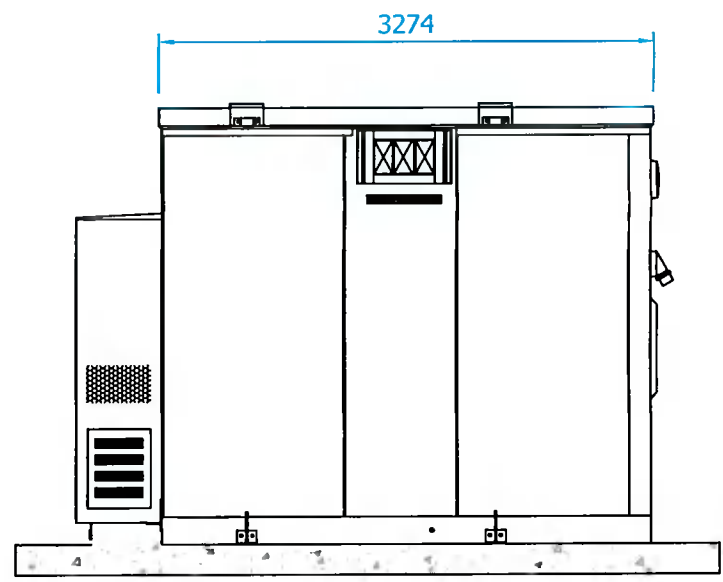


VIEW D

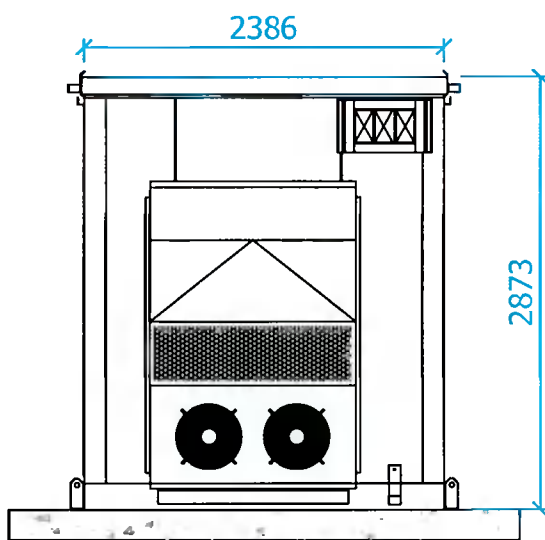
Illustrative Purposes Only -
Exempted Development Class 31 (e)



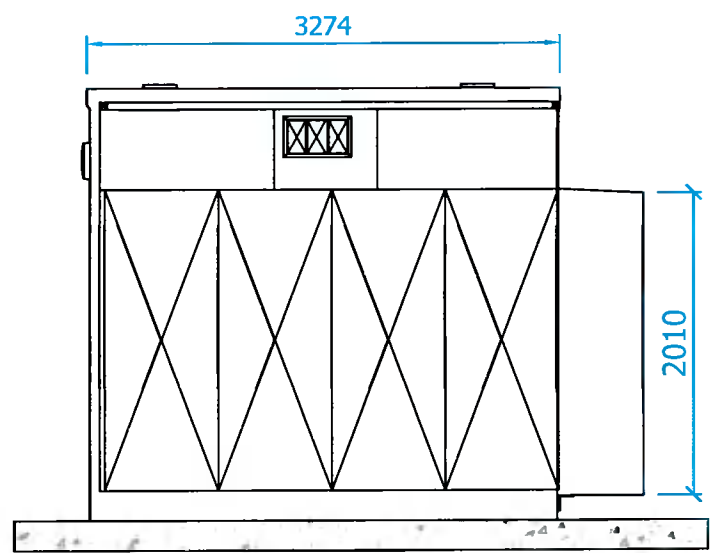
VIEW A



VIEW B



VIEW C



SECTION A-A

ESB Telecoms Ltd.
27 Lwr. Fitzwilliam
Street
Dublin 2

Ph: 01-7027051
Fax: 01-6388218

REV.	DATE	DESCRIPTION	CHK	APP

Equipment Cabin
ESB Telecoms Ltd. compound,
Nangor Road,
Clondalkin,
Dublin 22.

Proposed Height: 3.0 metres
Proposed Type: Cabin Type 1
Proposed Colour: Grey
ESB Ref: Varied
Scale: 1:50

Drawn By: N. Fitzpatrick
Issue Date: 02 - 02 - 2021
Drawing No: Nangor Road_PI_10
Cpe App by: N. Fitzpatrick
File: /Cabin.dwg