



**FLAGPOLES IRELAND**  
The Flag & Flagpole Specialists

- \*Product Code: PRECLASLE
- \*Product Material: Fibreglass or Glassfibre
- \*Product Type: Single Piece Fibreglass Length

**Brief Description**

Our Classic Fibreglass Flagpoles are a custom design specific to FlagPoles Ireland, With our expert detailed knowledge of flagpoles we commissioned this classic flagpole that simply sits into a ground sleeve making it easily installed and removed should a service or maintenance be required. This pole is exactly the same as the premium hinged base flagpole but just without the metal work associated with the hinged base. By removing this we have greatly reduced the costs associated with installation. As these poles are sleeved they can be easily removed and stored if required. These poles are manufactured

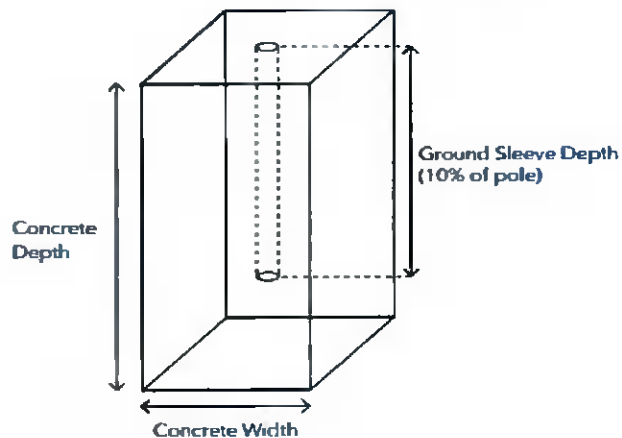
**Technical Specifications**

Heights Available	Internal Halyard	External Halyard	Wall Thickness	Top Diameter	Base Diameter	Standard Finial	Recommended Flag Size	Net Weight
6 meter	✓	✓	3mm	65mm	101mm	White	180mm x 90mm	10kg
7 meter	✓	✓	3mm	65mm	101mm	White	180mm x 90mm	11kg
8 meter	✓	✓	3mm	65mm	101mm	White	180mm x 90mm	12kg

Ground Sleeve Installation - See Below (Flagpole Dimensions)

**Installation Guidelines**

Dig the hole in the ground approx 400 cubic and 500mm deep. Place the ground sleeve into the hole ensuring it is plumb. Fill the hole with concrete leaving 40mm of the sleeve exposed so a self tapping screw can secure the pole to the sleeve.



Please contact us on 01-5415410 for assistance if required.



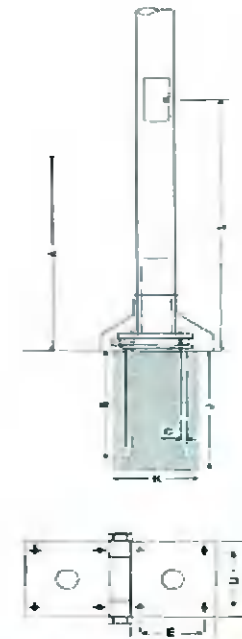


**FLAGPOLES IRELAND**  
*The Flagpoles Specialists*

## Glassfibre Flagpoles

Pound for pound our glassfibre flagpoles are stronger than both steel and aluminium. We use a gel-coat finish to give a high gloss sheen which requires minimum maintenance throughout the long life of the flagpole. Our standard poles are available in sizes up to 18m (60 feet) and all popular sizes are held in stock for quick delivery. Non-standard poles and / or coloured poles can be supplied to order.

Our product range comprises a variety of rigged and wall mounted flagpoles (see examples above). We also carry a comprehensive range of accessories, in stock, which includes finials, ground collars, security systems (ie Guardlock internal halyard) and swivel arms. Our heavy duty, hot dipped galvanised steel, four bolt hinged baseplates make installation and maintenance easy - and provide a robust and secure base for poles of any size.





## FLAGPOLES IRELAND

The Flagpoles Specialists

### Technical Data

All measurements in millimeters unless otherwise stated. Special Lengths other than those mentioned can be manufactured but are not available ex stock.

Dimensions of Basic Flagpole	10'0"	13'1"	16'5"	19'8"	23'0"	26'3"	29'9"	32'9"	36'0"	39'4"	42'8"	46'0"	46'9"	52'6"	55'9"	60'0"	
Overall length of flagpole A	3m	4m	5m	6m	7m	8m	9m	10m	11m	12m	13m	14m	15m	16m	17m	18m	
Butt diameter of flagpole	95	100	120	120	120	120	140	140	140	140	175	175	175	175	190	190	
Top diameter of flagpole	65	65	65	65	65	65	65	65	65	65	65	65	65	65	65	65	
Weight of flagpole naked	5kg	6kg	8kg	9kg	11kg	13kg	22kg	24kg	31kg	34kg	60kg	65kg	72kg	75kg	81kg	85kg	
Weight of flagpole with steelwork			20kg	21kg	23kg	25kg	36kg	38kg	45kg	48kg	100kg	105kg	112kg	115kg	126kg	130kg	
Ext diameter of gold finial	120	120	120	120	120	120	120	120	120	120	150	150	150	150	150	150	
Maximum flag size	1m	1.5m	1.5m	2m	2m	2.5m	3m	3m	3m	3m	4m	4m	4m	5m	5m	5m	
Overall length of bolts			300	500	500	500	500	500	500	500	700	700	700	700	900	900	
Dept of bolts in concrete B			425	425	425	425	425	425	425	425	610	610	610	610	800	800	
Diameter of foundation bolts C			16	16	16	16	16	16	16	16	20	20	20	20	20	20	
Hole Centres D			135	135	135	135	135	135	135	135	175	175	175	175	230	230	
Hole Centres E			128	128	128	128	128	128	128	128	145	145	145	145	200	200	
Baseplate dimensions F			180	180	180	180	180	180	180	180	225	225	225	225	280	280	
Baseplate dimensions G			180	180	180	180	180	180	180	180	225	225	225	225	280	280	
Internal Halyard door L			1.5	1.5	1.5	1.5	1.5	1.5	1.5	1.5	1.5	1.5	1.5	1.5	1.5	1.5	
Ground Collar Dimensions M			108 (ID) 385 (OD)			125 (ID) 385 (OD)			145 (ID) 385 (OD)			180 (ID) 445 (OD)			195 (ID) 445 (OD)		

Key: (M) is an optional extra (ID) = internal diameter (OD) = Outside Diameter