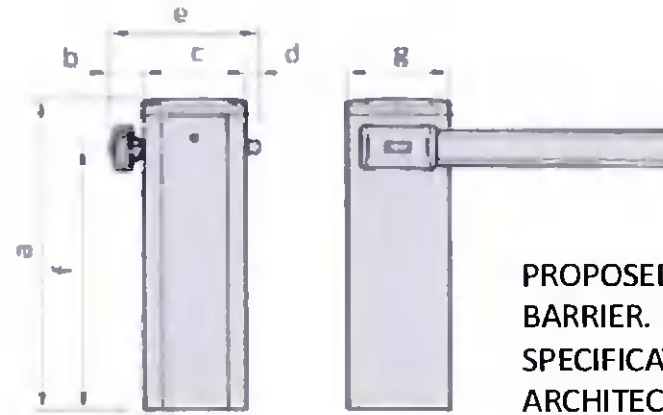
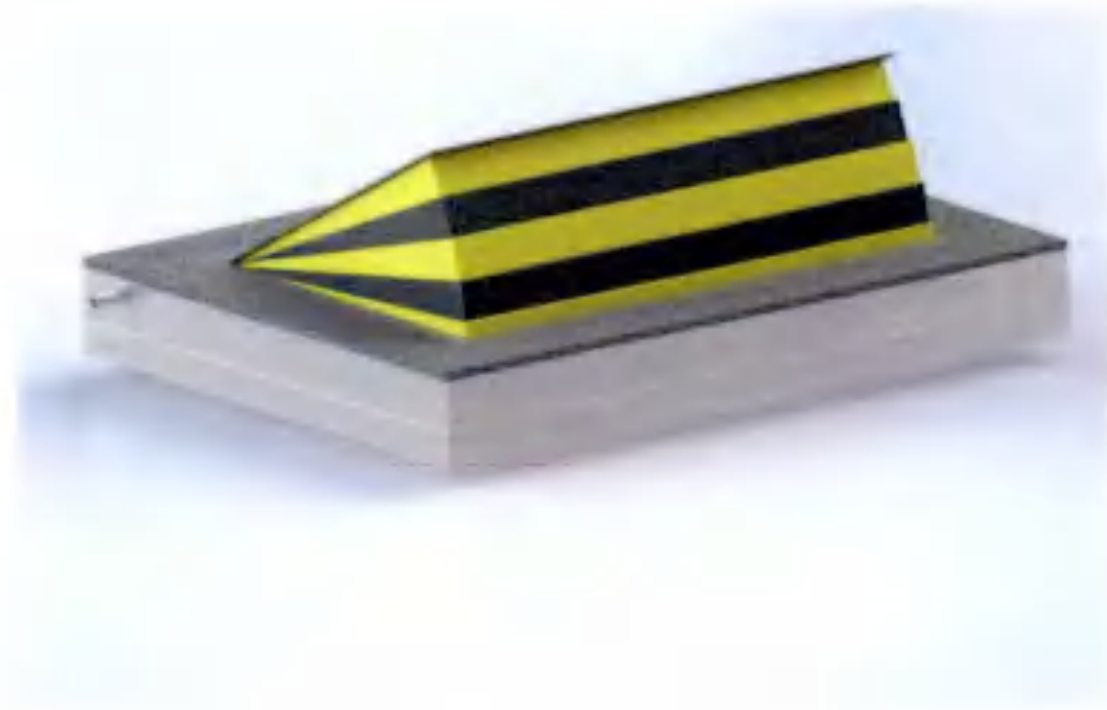


PROPOSED BARRIERS



PROPOSED NEW TRAFFIC ARM BARRIER. MANUFACTURER AND FINAL SPECIFICATION TO BE AGREED BY ARCHITECTS



ROAD BLOCKER FOR EACH LANE. TO DEFAULT IN THE RECESSED POSITION AND DEPLOYED ONLY WHEN ACTIVATED OR IN BREACH OF SECURITY. MANUFACTURER AND FINAL SPECIFICATION TO BE AGREED BY ARCHITECTS.

NOTE:

THE FINAL SIZE AND LOCATION OF PROPOSED EQUIPMENT WILL BE DETERMINED AT DETAILED DESIGN AND WHEN A VENDOR IS APPOINTED. THESE PRODUCTS DEMONSTRATE DESIGN INTENT. THE FINAL INSTALLATION OF EQUIPMENT MAY VARY SLIGHTLY BUT WITHOUT MATERIALLY EFFECTING THE PROPOSAL OUTLINED