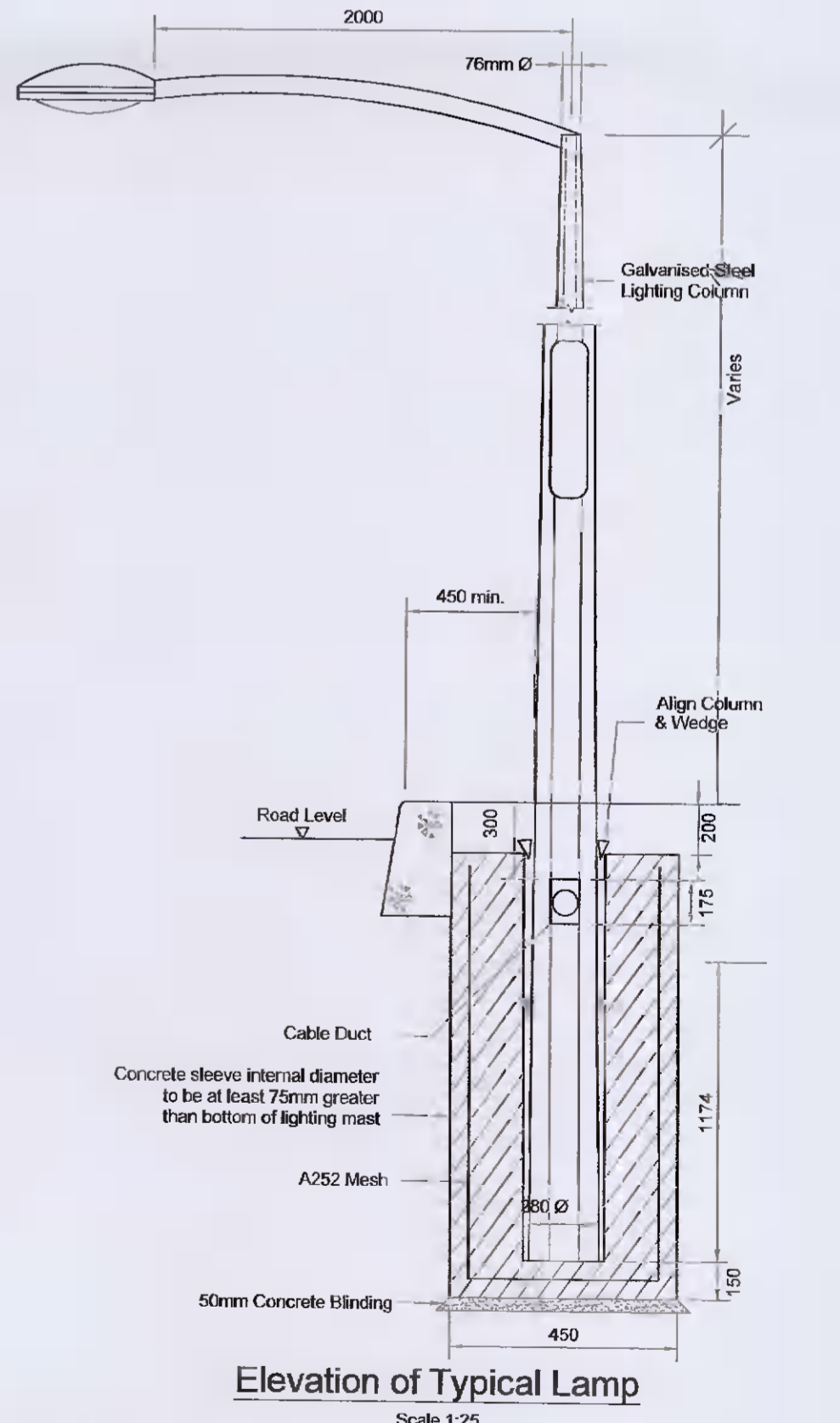
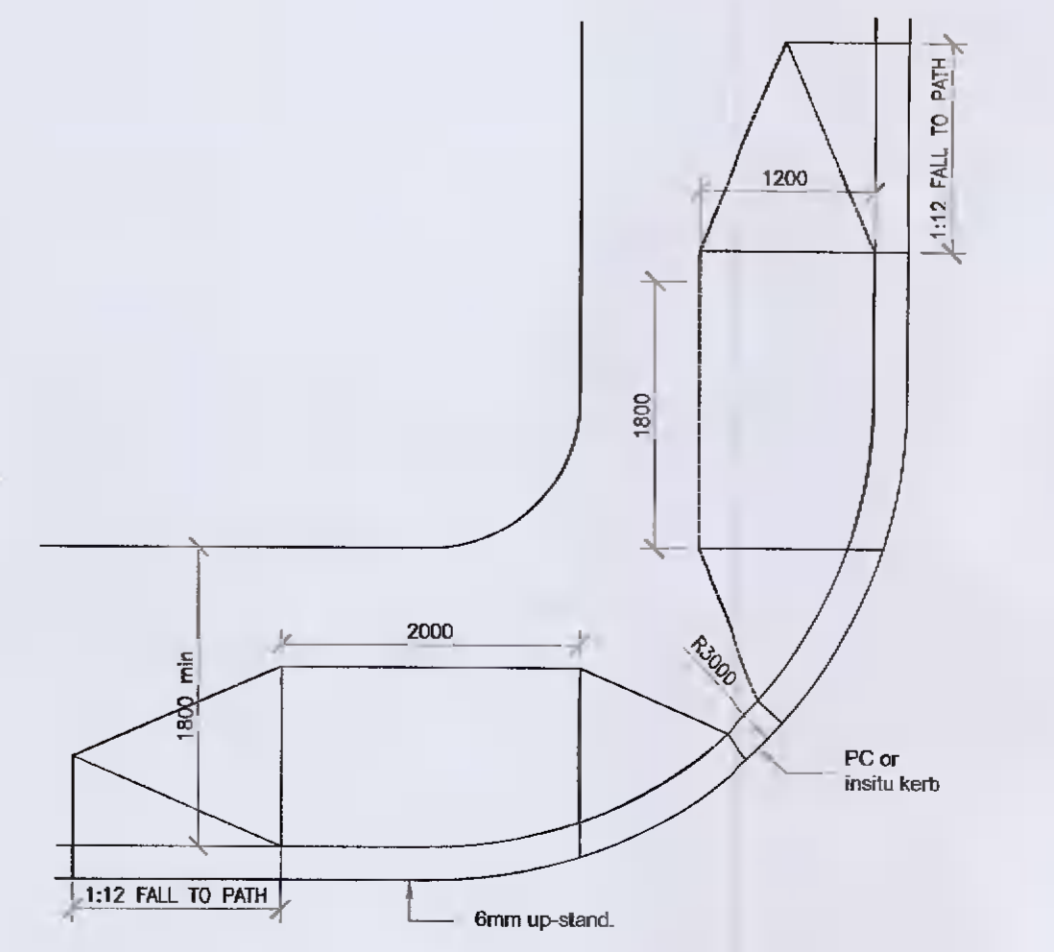
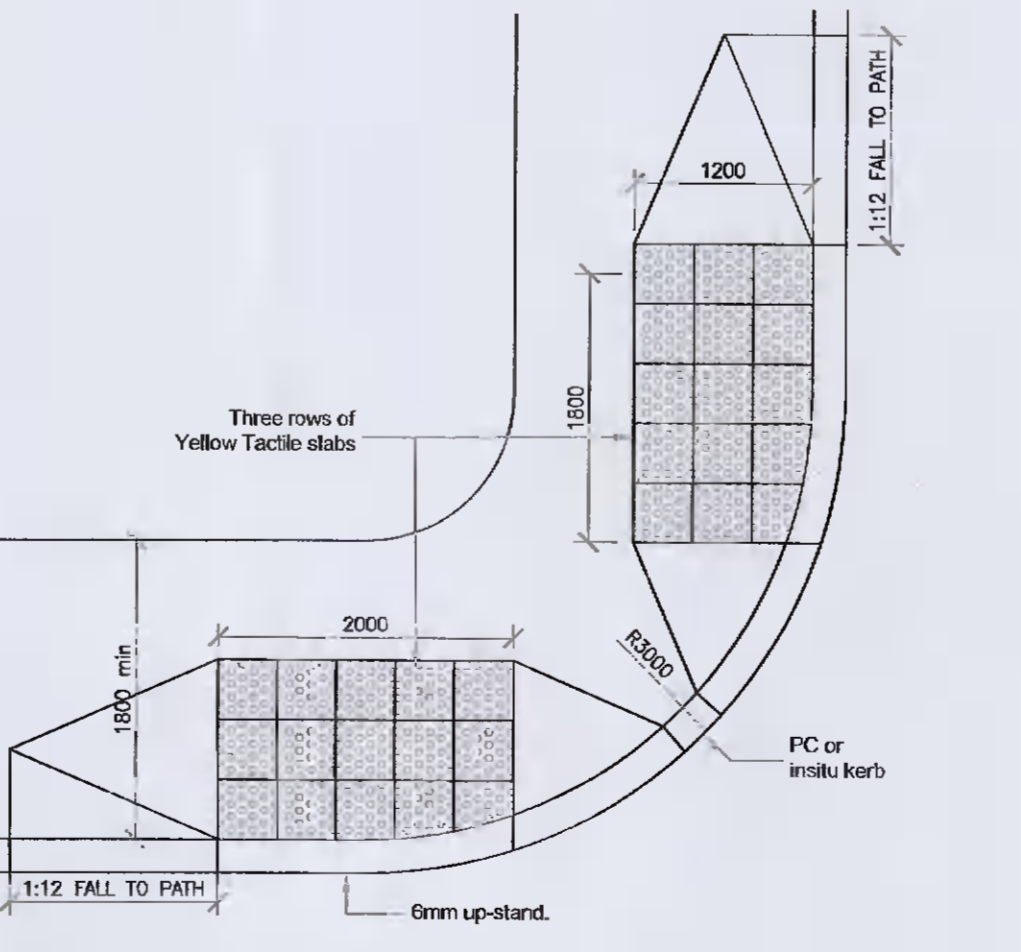
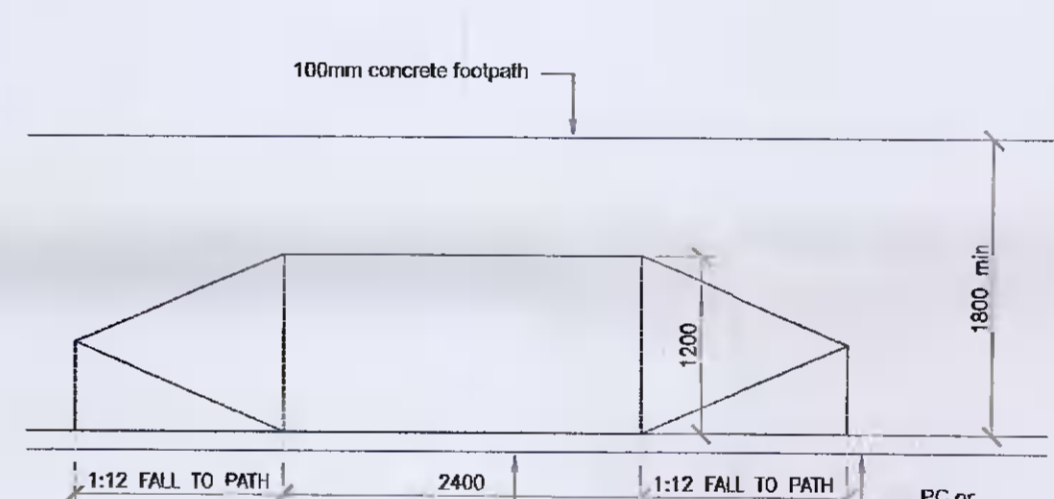
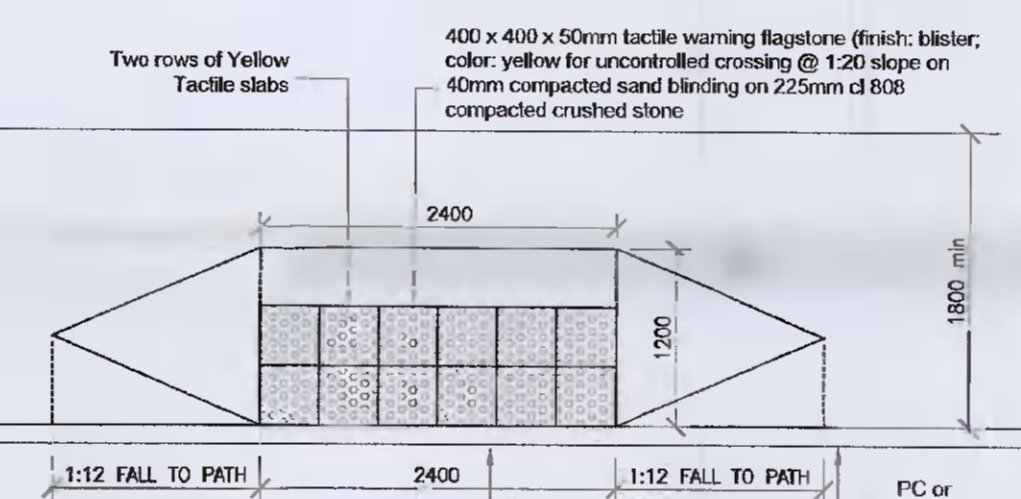
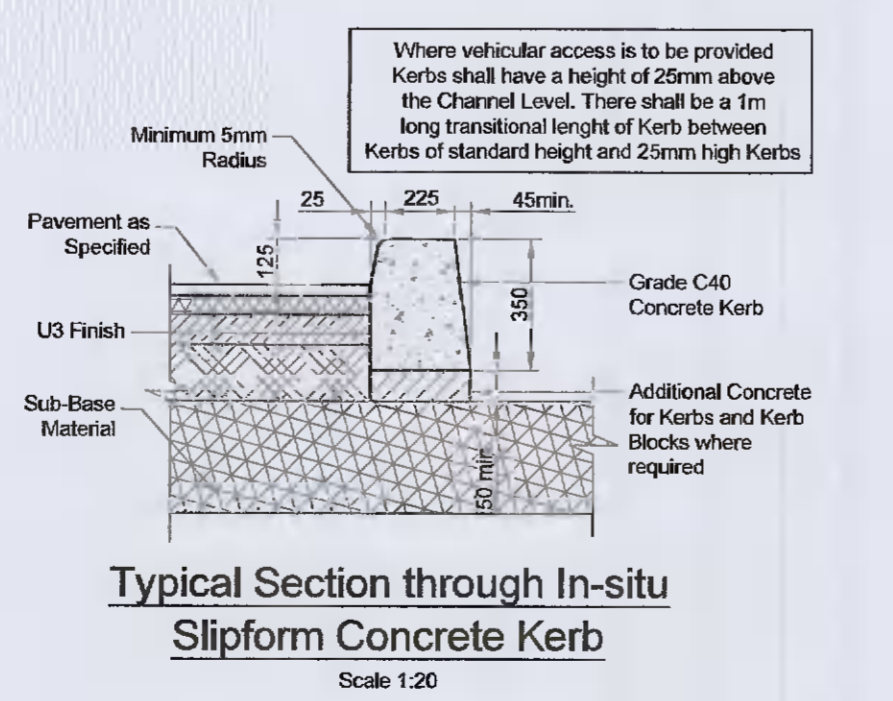
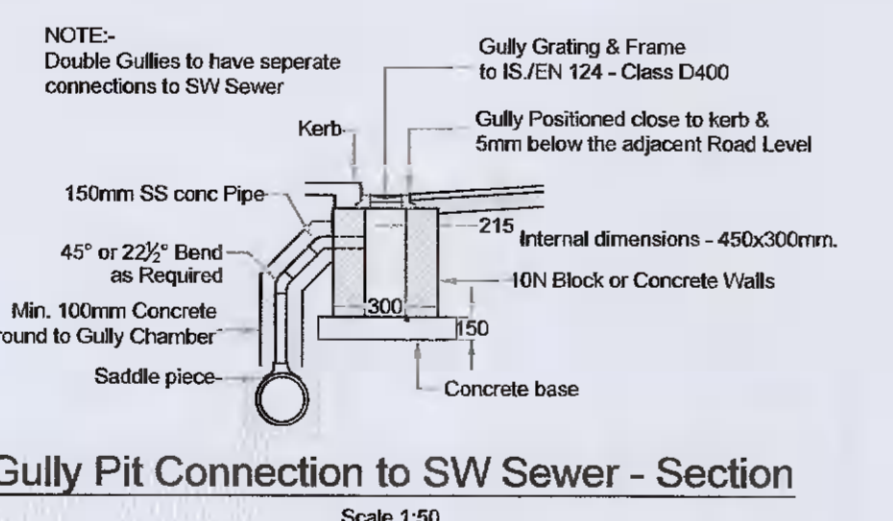
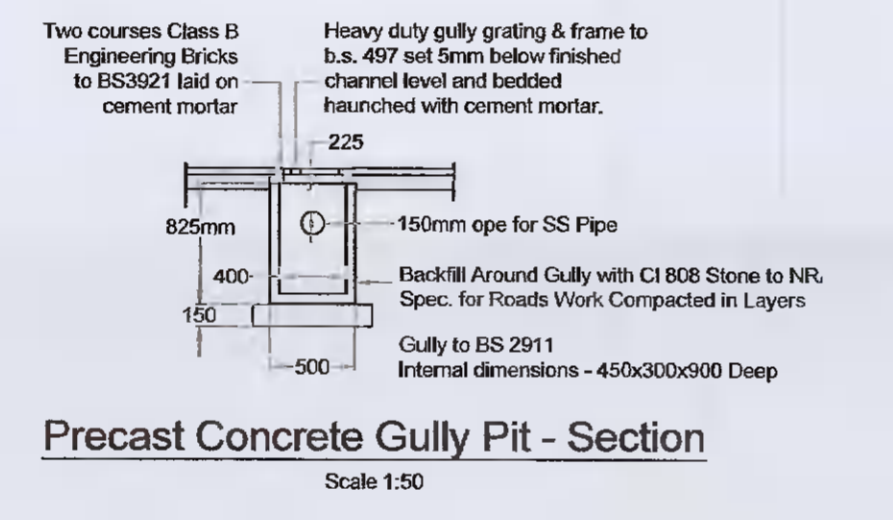
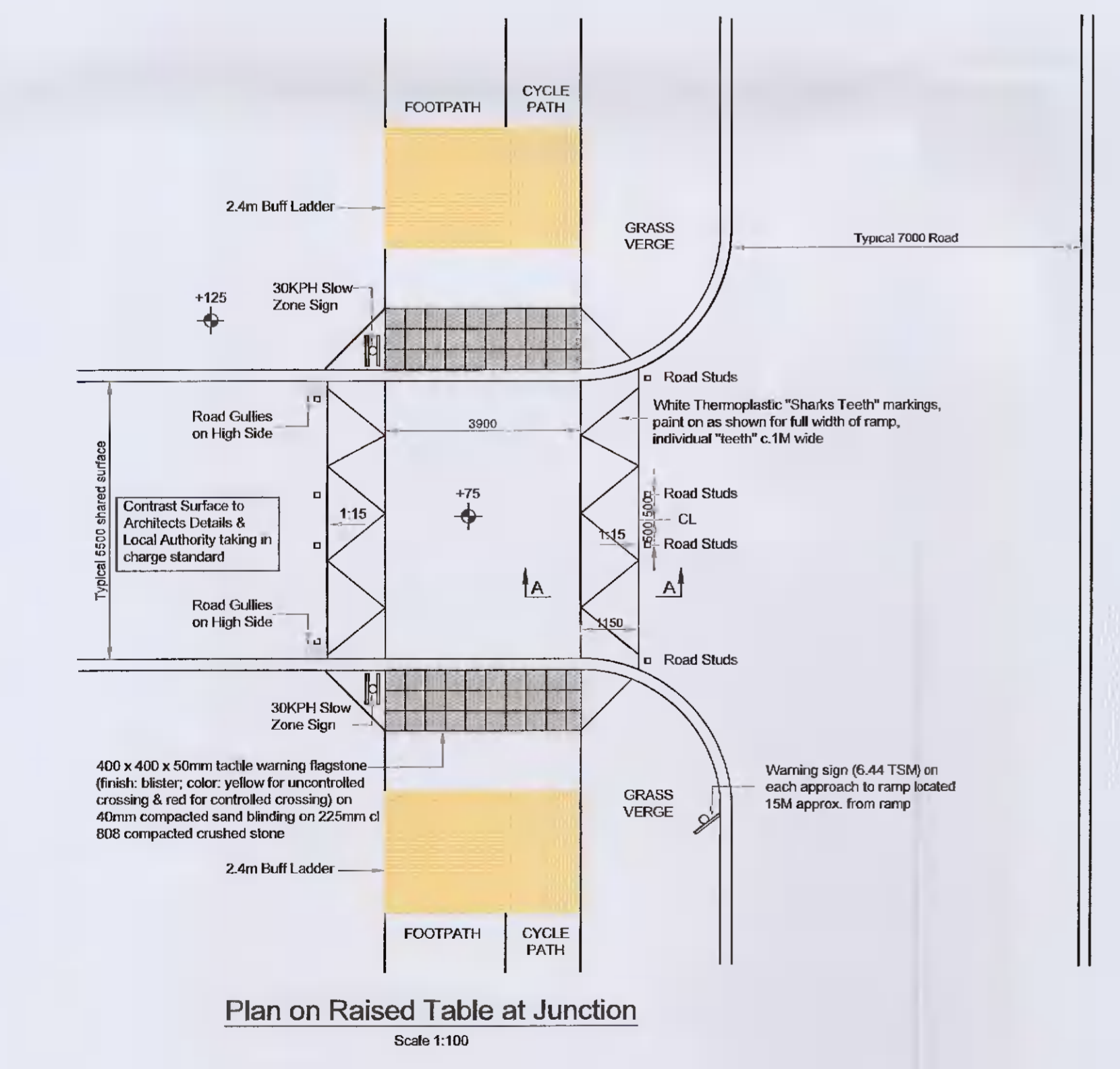
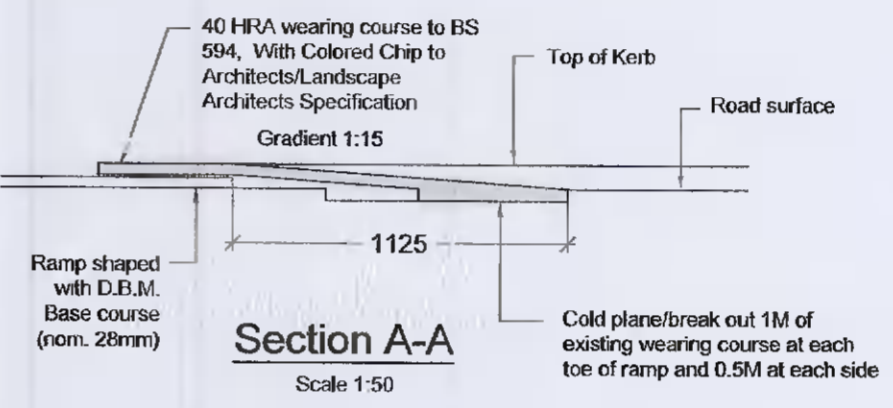
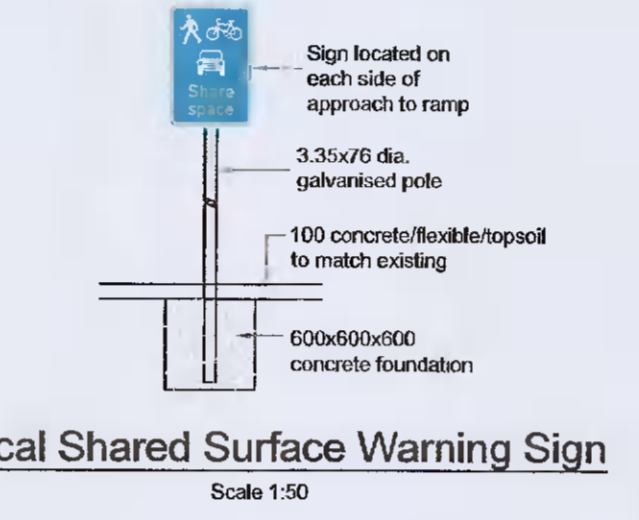
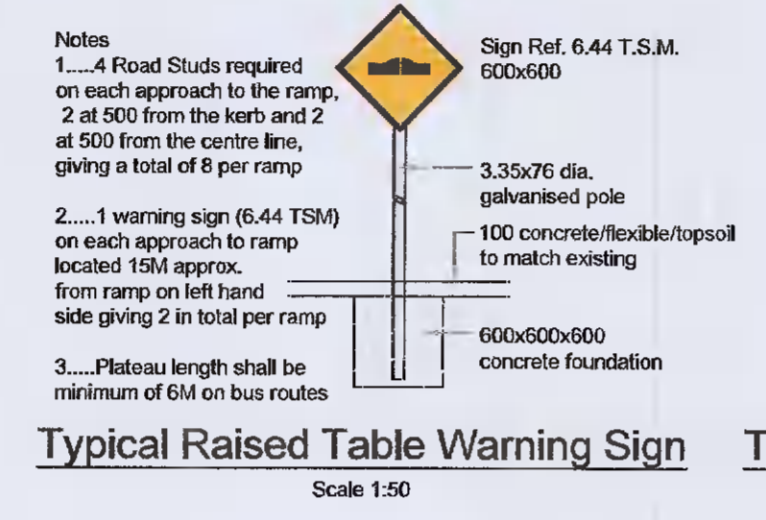


FOOTPATH CONSTRUCTION:

- 100mm Concrete C32/40 Air entrained to BS 5075 (joints at 3m centres)
- A363 Mesh to be provide across, and 1m either side, of vehicular entrances
- 100mm CL808 of the NRA Specification for Roadwork

ROAD CONSTRUCTION:

- 40mm Polymer Modified Stone Mastic Asphalt Surface Course to CL942 of the NRA Specification for Road Works.
- 60mm DBM Binder Course to CL942 of the NRA Specification for Road Works
- 60mm DBM Base Course to CL942 of the NRA Specification for Road Works.
- 150mm (min) crushed stone sub base to be to clause 808 to the NRA Specification for Road Works laid and compacted to clause 802.
- 250mm (min) stone capping layer based on a CBR value of 5% to be confirmed on completion of CBR tests. Capping layer should be to Class SF2 to the NRA Specification for Road Works. Capping must be increased for CBR values between 2% and 5% as per the Design table Figure 1. Capping layer of less than 250mm is not recommended irrespective of CBR value for values between 5% and 15%.
- 6F2 capping layer material shall be compacted with approved mechanical equipment in accordance with clause 612 of the NRA Specification. Generally the layers shall not exceed 150mm thick.



Rev.	Date	Description	By

Project Title
WHITECHURCH ROAD RATHFARNHAM

Architect
BBA ARCHITECTS

Date	By	Checked	Scale @ A1
FEB 2022	AL	PM	AS SHOWN

Drawing Title
STANDARD ROAD AND SUDS & DRAINAGE DETAILS

Drawing Status
PLANNING

Job No.	Drawing No.	Issue
21029	106	P0

POGA
CONSULTING ENGINEERS
STRUCTURAL & CIVIL

Unit C2, Nutgrove Office Park
Rathfarnham
Dublin 14
D14 CR20
Tel: +353 (0)1 705 1101
www.poga.ie