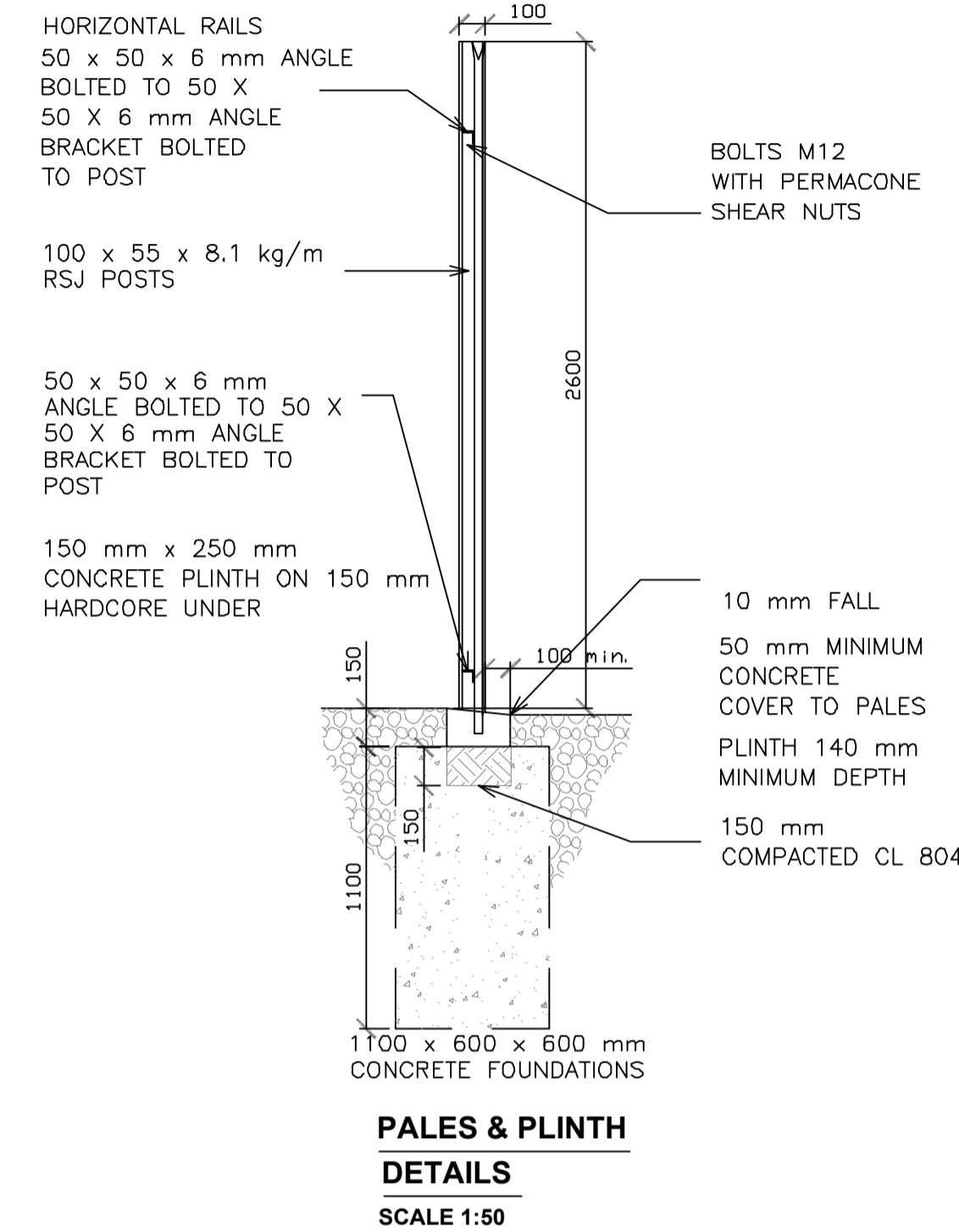
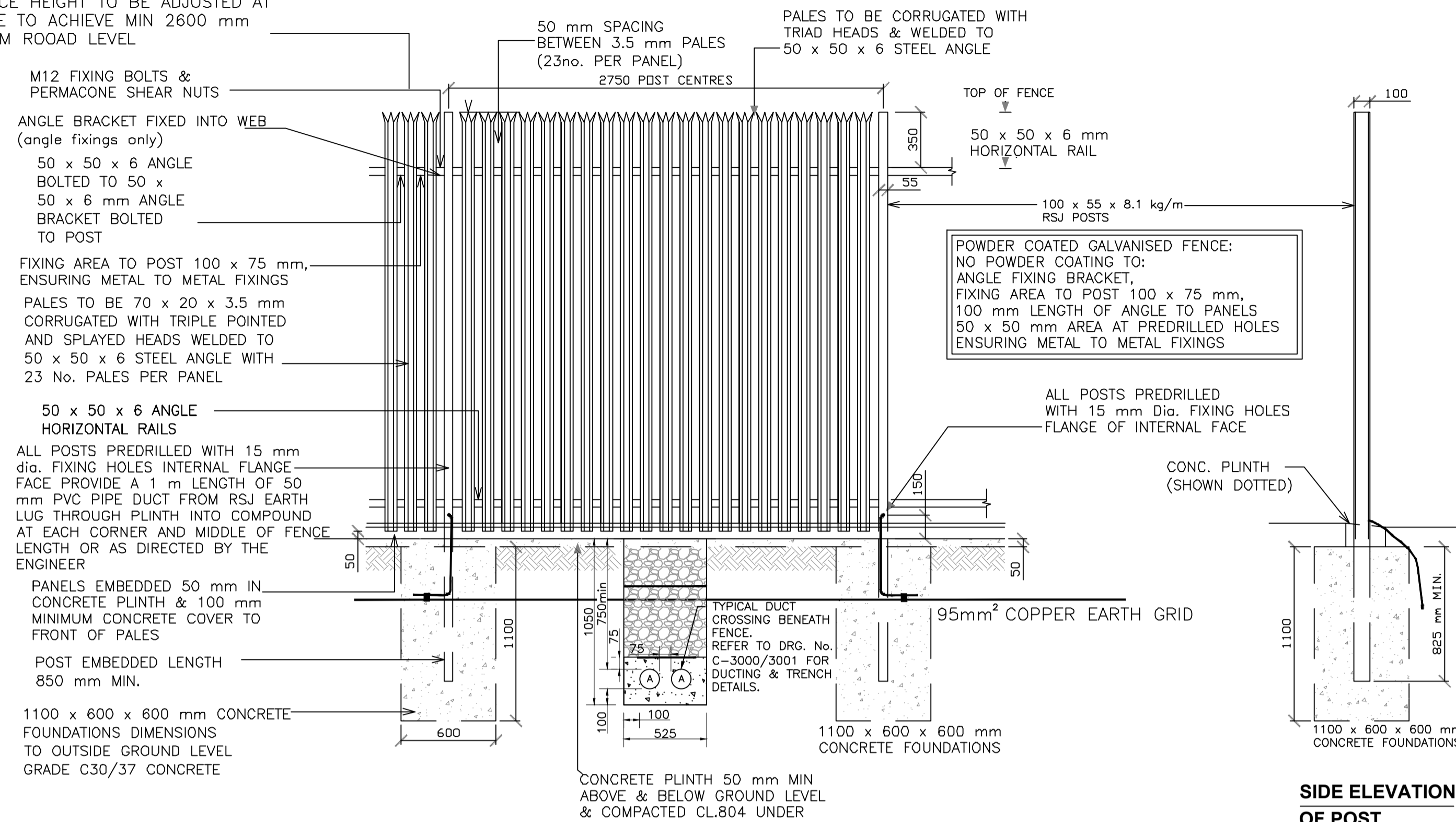


FENCE COLOUR SUBJECT TO PLANNING AUTHORITY DECISION.

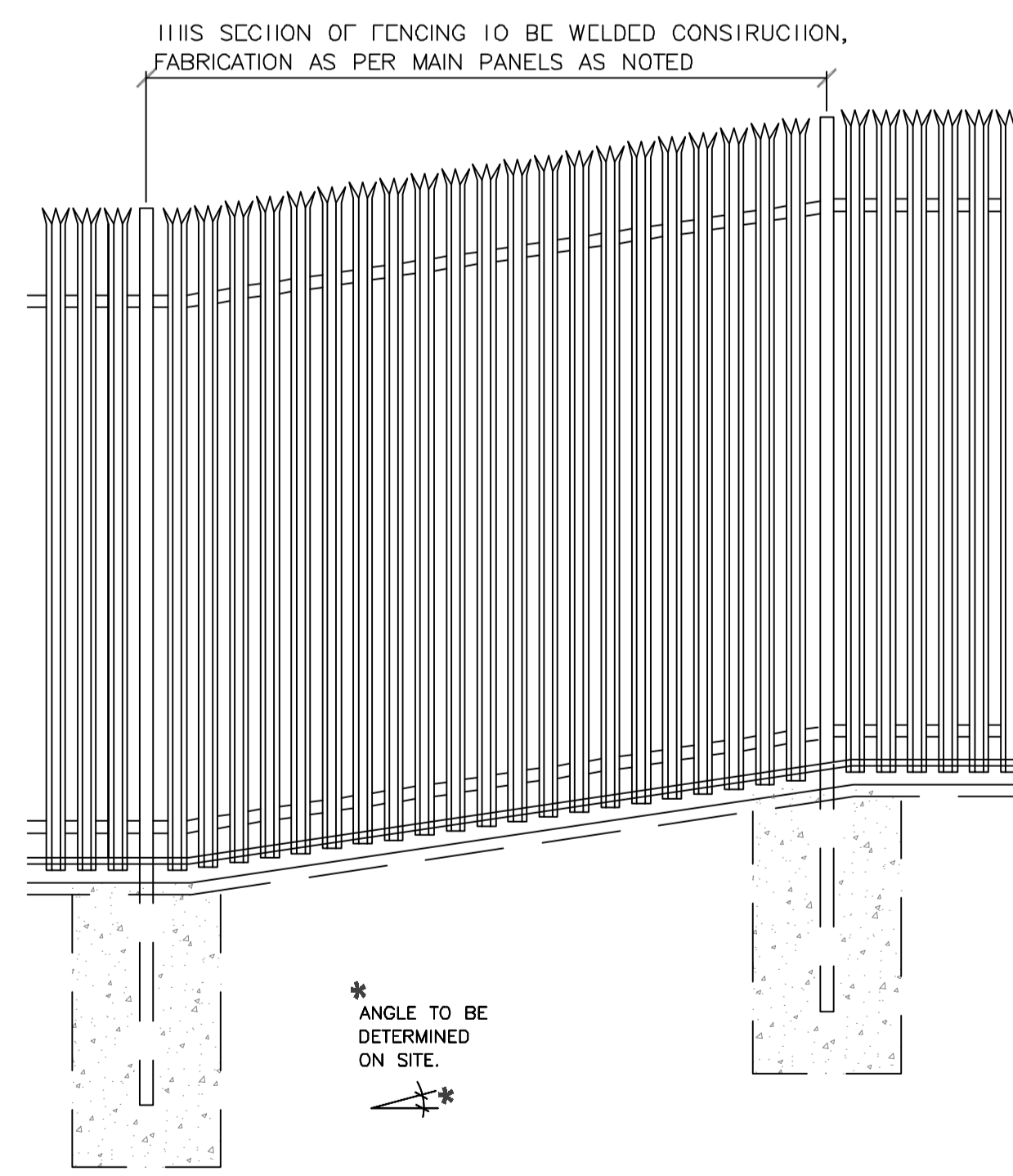
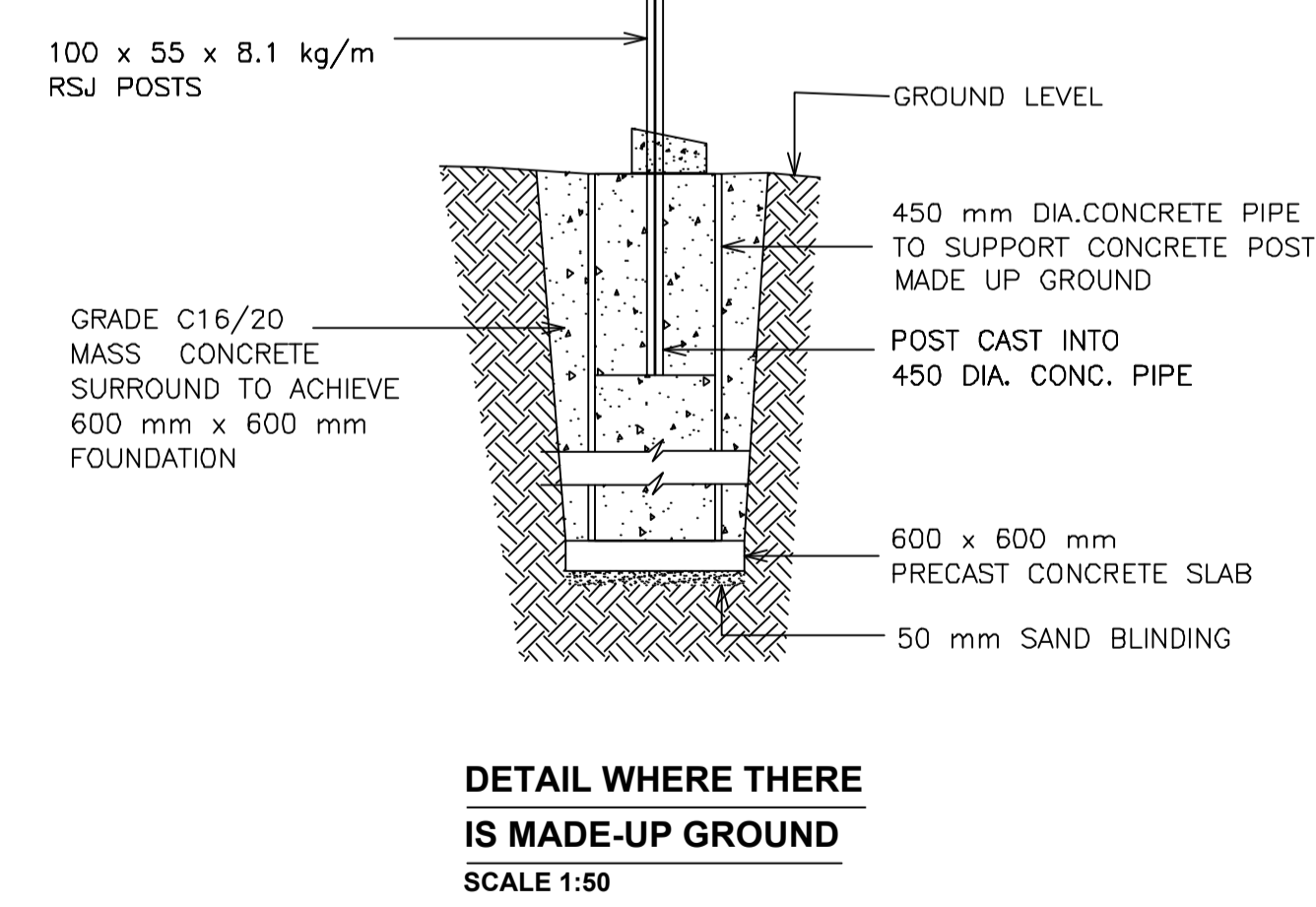
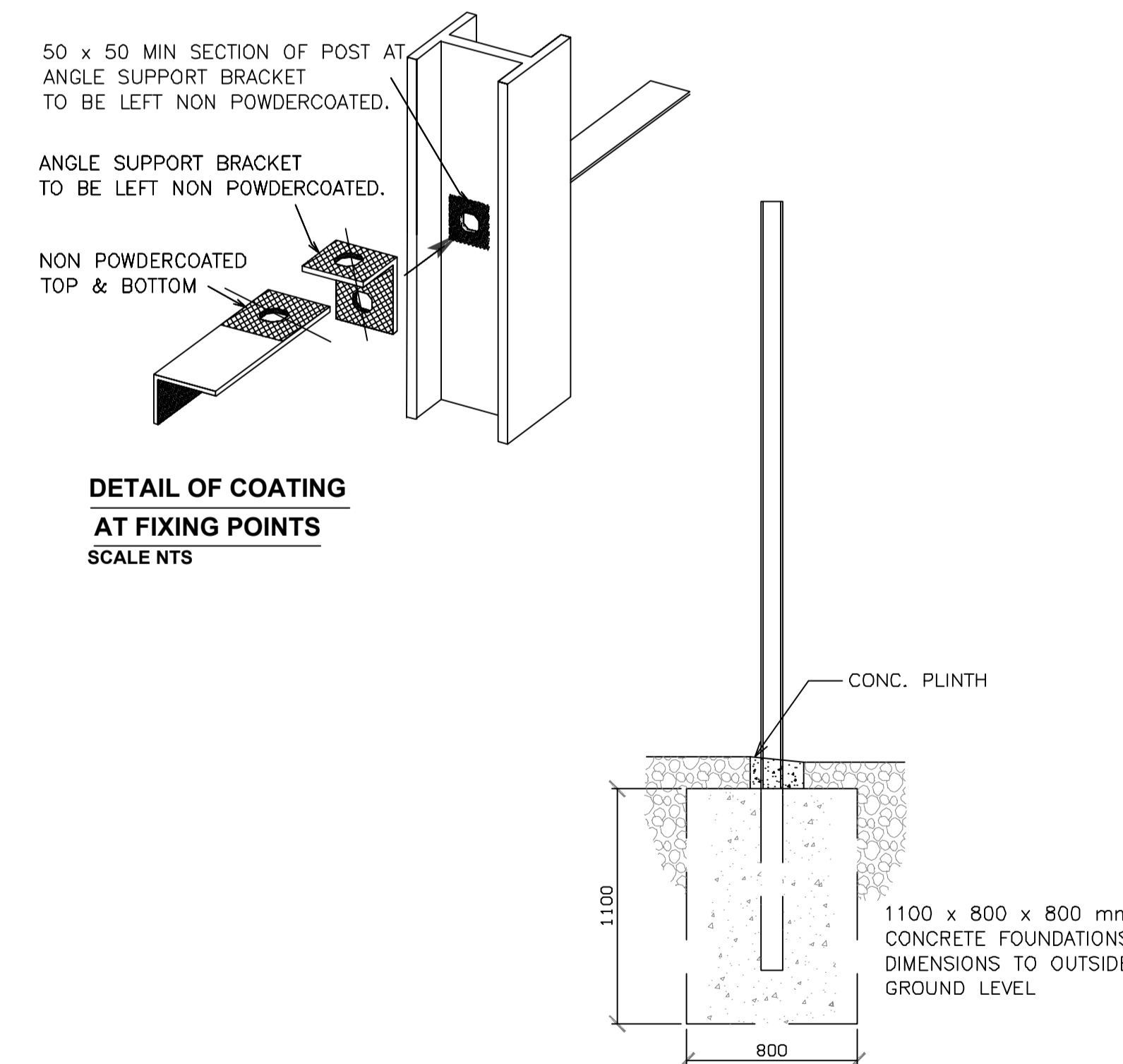
**NOTES**

- 1.) THIS DRAWING IS NOT TO BE SCALED.
- 2.) GALVANISING TO BE IN ACCORDANCE WITH I.S. EN ISO 1461.
- 3.) POWDER COATING TO BE IN ACCORDANCE WITH I.S. EN 13438.
- 4.) PALES TO BE TRIPLE POINTED & SPLAYED, AND WELDED TO RAILS IN ACCORDANCE WITH CL. 5.1 OF BS 1722
- 5.) GAP BETWEEN PALES AND BETWEEN PALES AND RSJ TO BE NOT GREATER THAT 50 mm.
- 6.) MINIMUM HEIGHT OF FENCE ON EITHER SIDE OF COMPOUND IS TO BE 2600 mm
- 7.) IN AREAS OF MADE-UP GROUND ADDITIONAL CONCRETE TO BE USED IN BASE. QUANTITY TO BE APPROVED BY THE ENGINEER IN ADVANCE.
- 8.) CONCRETE TO BE GRADE C30/37 TO BASES.
- 9.) PALISADE FENCE TO HAVE BLACK POWDER COATING IN ACCORDANCE 5. WITH I.S. EN 13438. COLOUR TO ARCHITECTS DETAIL.
- 10.) PALISADE FENCE TO BE CONSTRUCTED IN ACCORDANCE WITH B.S. 1722 PART 12.
- 11.) ALL ELEMENTS OF THE FENCE AND GATE ARE TO BE HOT DIPPED GALVANISED TO EN ISO 1461
- 12.) ALL GATES TO OPEN INWARDS
- 13.) PALISADE FENCE TO BE EARTHED AT EVERY CORNER POST AND POST OF AT LEAST 10m INTERNAL IN BETWEEN.

FENCE HEIGHT TO BE ADJUSTED AT GATE TO ACHIEVE MIN 2600 mm FROM ROAD LEVEL



**SIDE ELEVATION OF POST**  
SCALE 1:50



REFER TO DRAWING 21\_115-CSE-XX-DR-C-2303 FOR FENCING LAYOUT

Rev	Description	Drawn	Checked	Date
P04	SID ISSUE	DM	PM	04.02.2022
P03	DRAFT SID ISSUE	DM	PM	10.12.2021
P02	SID SCHEME ISSUE	DM	PM	26.11.2021
P01	WIP	DM	PM	22.10.2021

**Clifton Scannell Emerson Associates**  
Consulting Engineers,  
3rd Floor The Highline,  
Bakers Point, Pottery Road,  
Dun Laoghaire, Co. Dublin,  
Ireland, A96 KW29

T: +353 1 288 5006  
F: +353 1 283 3466  
E: info@csea.ie  
W: www.csea.ie

**VANTAGE DATA CENTERS**

Client  
**KILCABERY 110KV SUBSTATION & MV CLIENT COMPOUND**

Project  
**SECURITY FENCE DETAILS**

Dwg. Title

Drawn By **DM** Date **OCT 2021** **21\_115**

Checked By **PM** AS INDICATED @ A1 Scale **CSEA Job No.**

Project Code Originator Zone/Phase Level Type Role Dwg. No.

**21\_115 - CSE - 00 - XX - DR - C - 2303**

Status Code **S2** Suitability Description **PRELIMINARY**

Revision **P04** Project Status **PRELIMINARY**