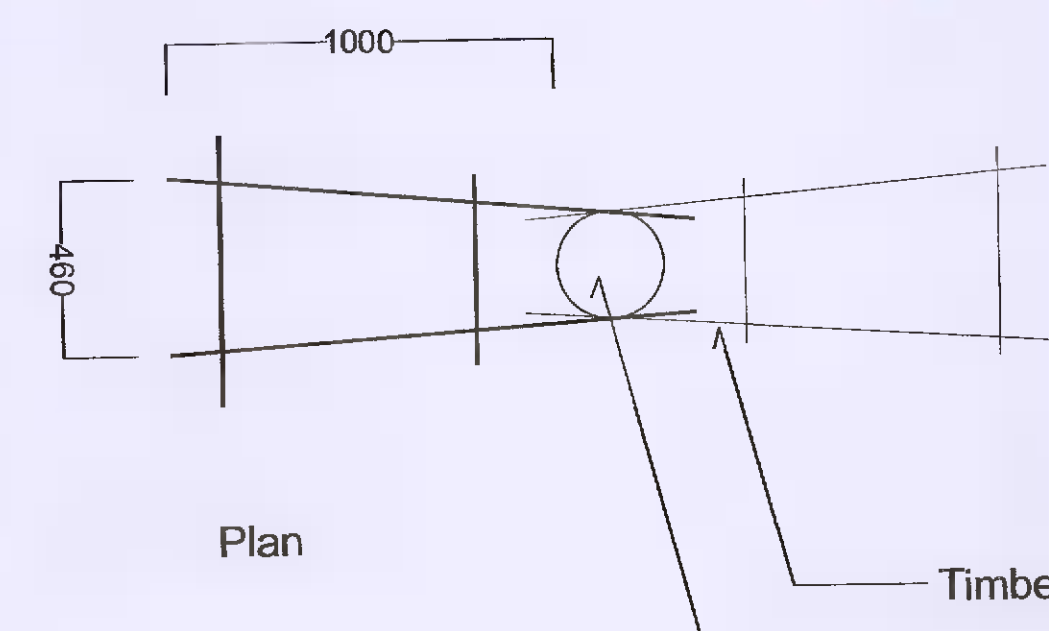


Side Elevation

Front Elevation

Finished Ground Level

300mm Dia. timber post to a height of 10-12mtrs above finished ground level.
 With heron perchs to provide potential nesting locations for herons.



Plan

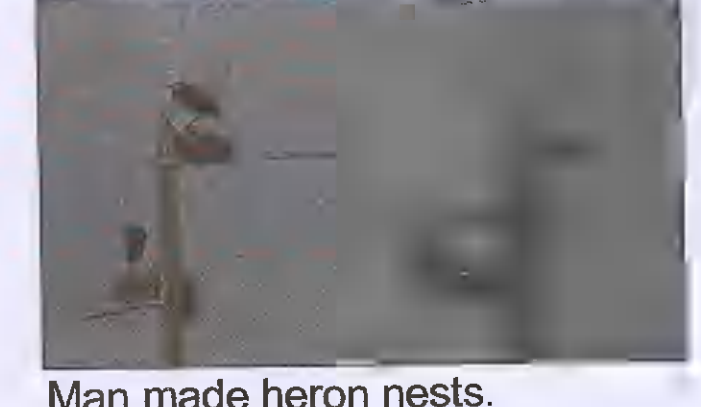
300mm Dia. timber post to a height of 10-12mtrs above finished ground level.
 With heron perchs to provide potential nesting locations for herons.



Heron.



Group of man made heron nests.



Man made heron nests.



Nesting Herons.

No.	Date	Note

Project name: Greenhills Road Nursing Home Tallaght	Project number: 20-052
Drawing name: Hardworks Landscape Timber Frame Heron Nests	Drawing number: LD-06-PP

Drawing scale @ A1: 1:20	Drawn by: d+ot	Checked by: ld
Status: Planning Application	Date: 07.02.2022	

Contact details: doyle + o'troithigh landscape architecture 20-22 Upper Pembroke St, Dublin 2 t: +353 1 452 4150 e: info@doyleotroithigh.com w: www.doyleotroithigh.com	Office address: Hardworks Road, 20-22 Upper Pembroke St, Dublin 2
--	--

doyle + o'troithigh
landscape - architecture
www.doyleotroithigh.com