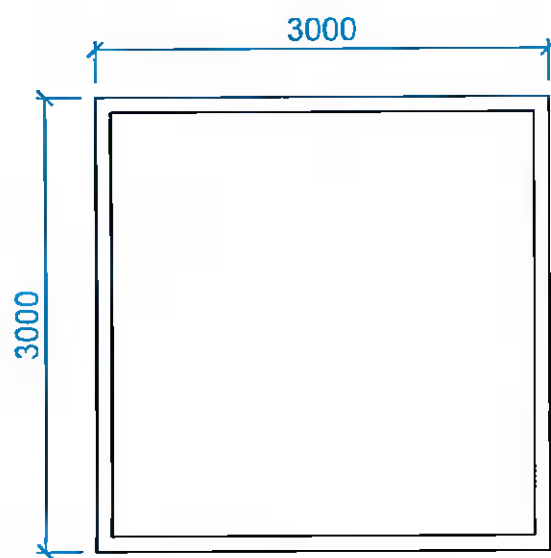
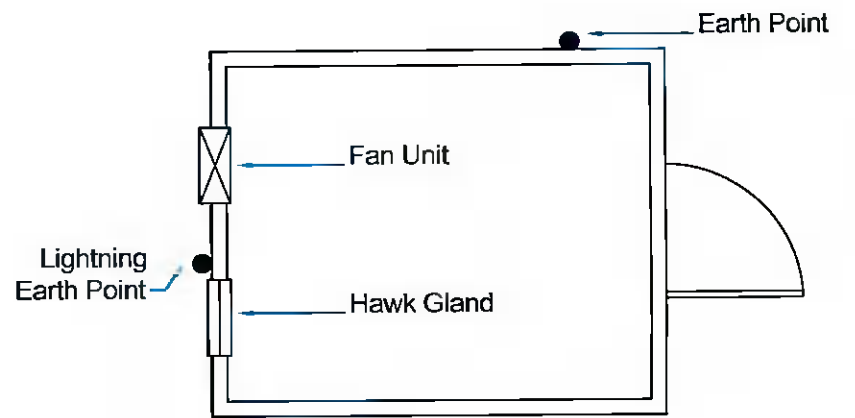
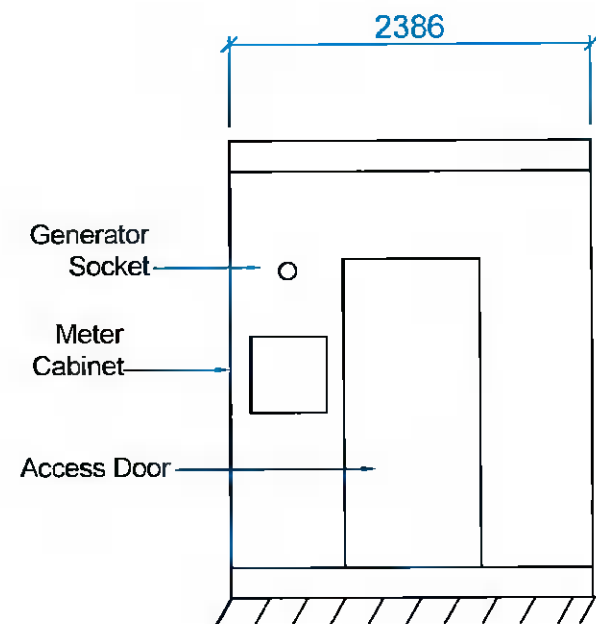


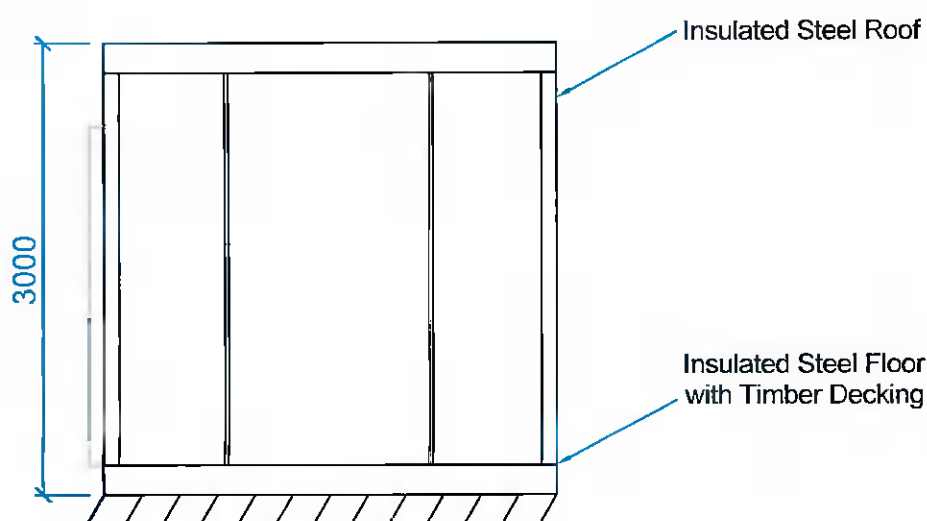
Plan



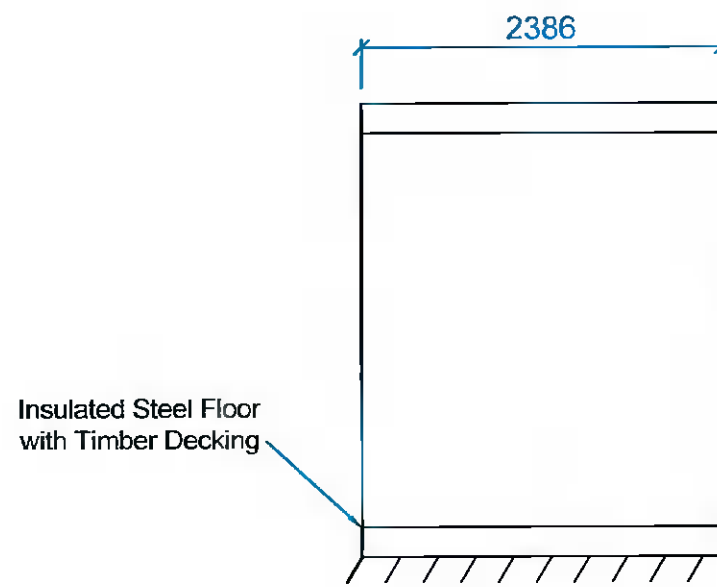
Section B B



Front Elevation




Side Elevation



Rear Elevation

Illustrative Purposes Only - Exempted Development Class 31 (e)

 <p>ESB Telecoms Ltd. 43 Merrion Square East, Dublin 2. Ph: 01-7025071</p>					<p>Equipment Cabin Lattice Tower Balgaddy 38kV Substation Kishoge Lucan Co. Dublin</p>	Proposed Height: 3.0 metres	Drawn By: N. Fitzpatrick
						Proposed Type: Cabin Type 1	Issue Date: 24 January 2021
						Proposed Colour: Grey	Drawing No: Balgaddy 38kV_12
						ESB Ref: Varied	App App by:
						Scale: 1:50	File: /Cabin.dwg
	REV.	DATE	DESCRIPTION	CHK	APP		