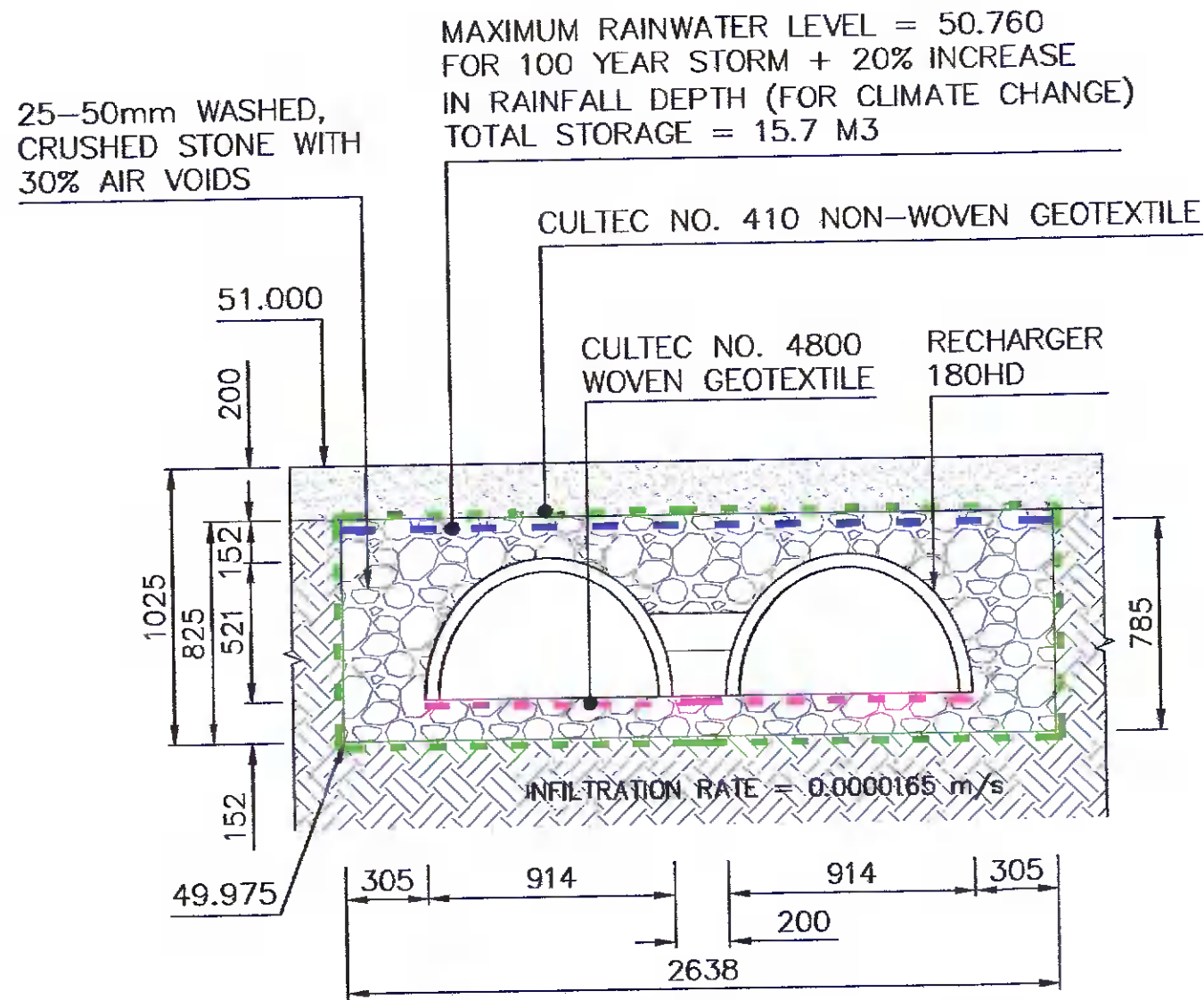
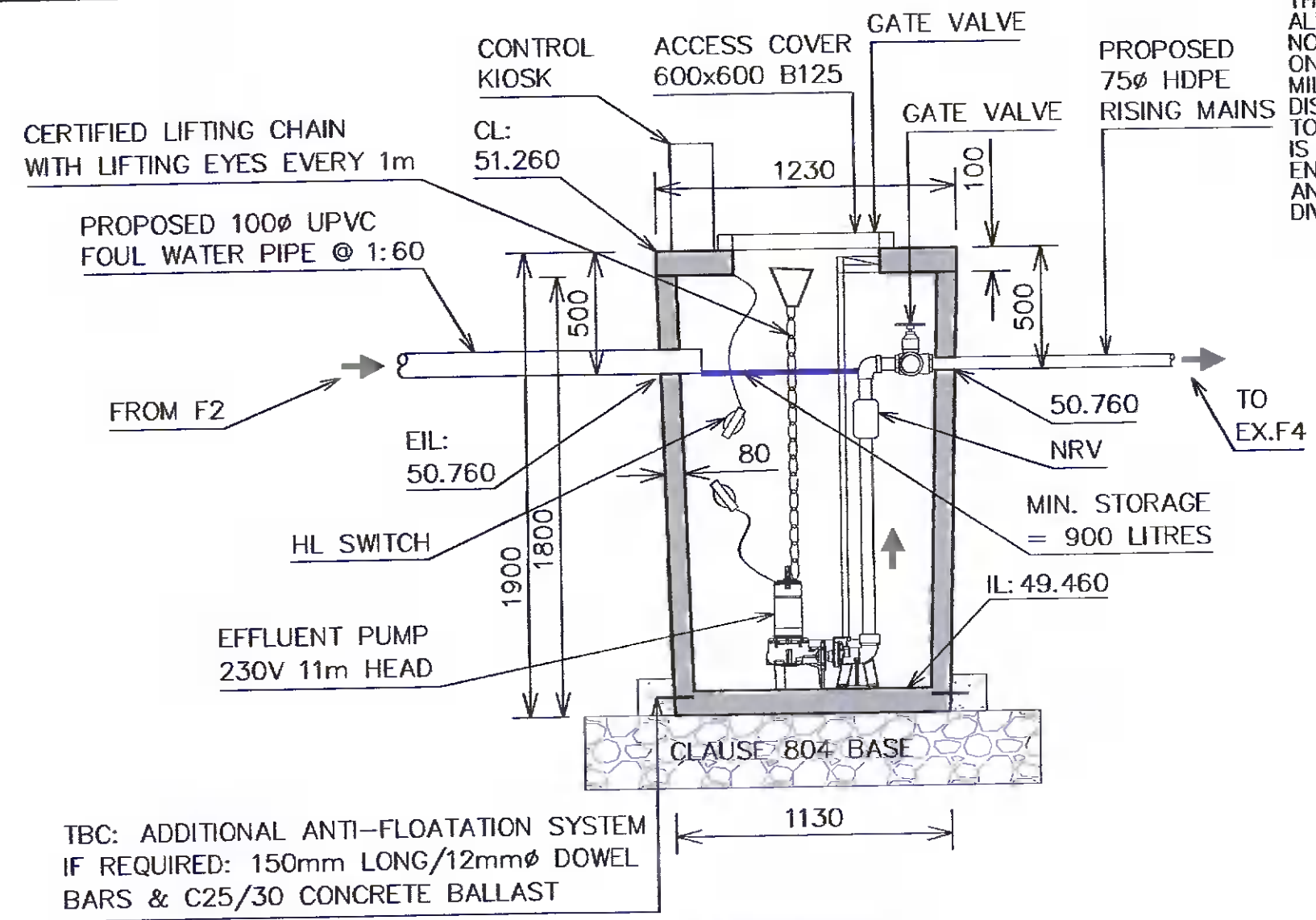


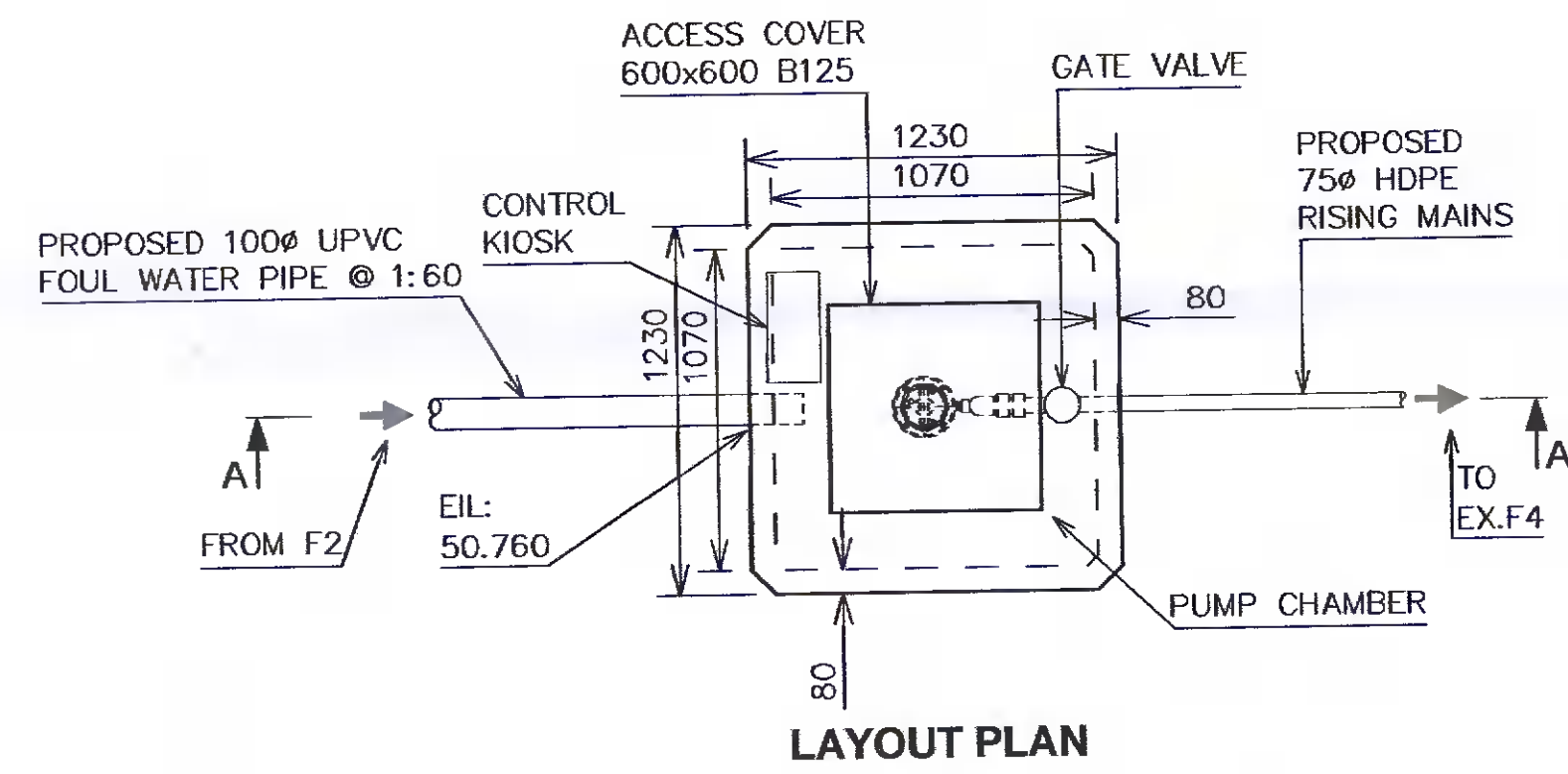
THIS DRAWING TO BE READ IN CONJUNCTION WITH ALL RELEVANT DRAWINGS AND SPECIFICATIONS. DO NOT SCALE FROM THIS DRAWING. FIGURE DIMENSION ONLY TO BE USED. ALL DIMENSIONS ARE IN MILLIMETERS EXCEPT WHERE SHOWN. ANY DISCREPANCIES ON THIS DRAWING OR ON SITE ARE TO BE REPORTED TO THE ENGINEER. THIS DRAWING IS THE PROPERTY OF STINGRAY ENVIRONMENTAL ENGINEERING LTD. IT IS A CONFIDENTIAL DOCUMENT AND MUST NOT BE COPIED, OR ITS CONTENT DIVULGED WITHOUT PRIOR WRITTEN CONSENT.



SECTION 'A-A'
PROPOSED CULTEC (OR SIMILAR APPROVED)
STORMWATER MANAGEMENT SYSTEM - SYSTEM A - TOTAL INFILTRATION
SCALE 1:25 @ A2

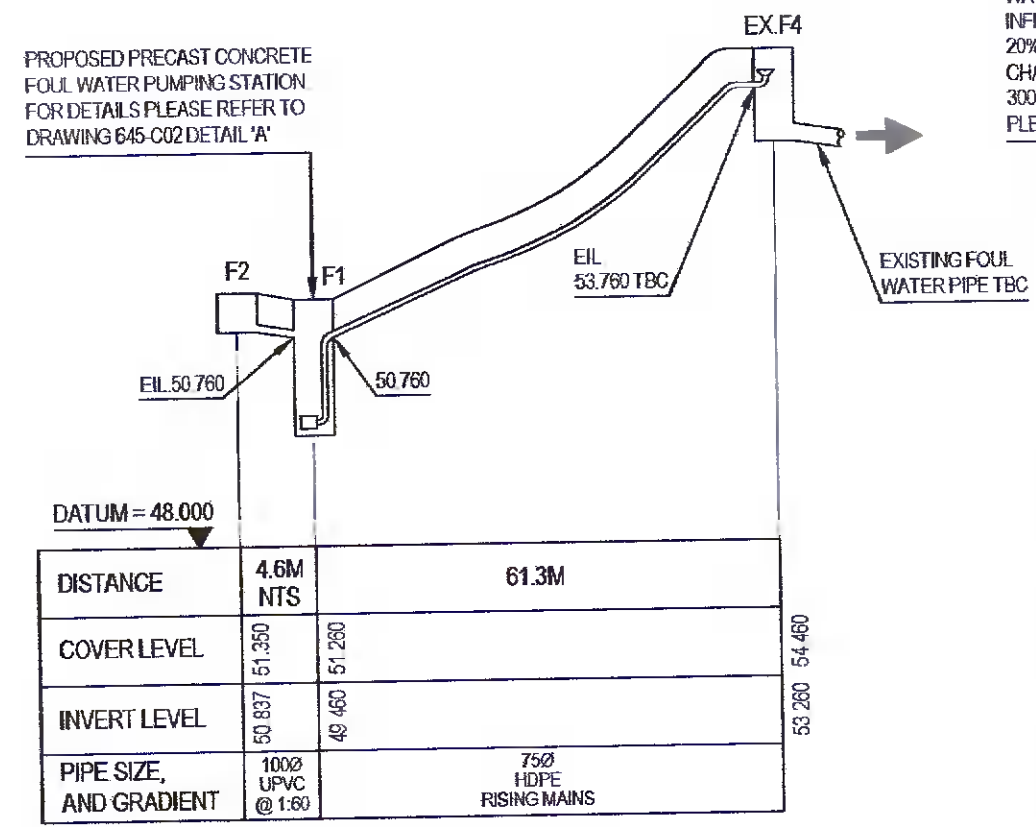


SECTION A-A

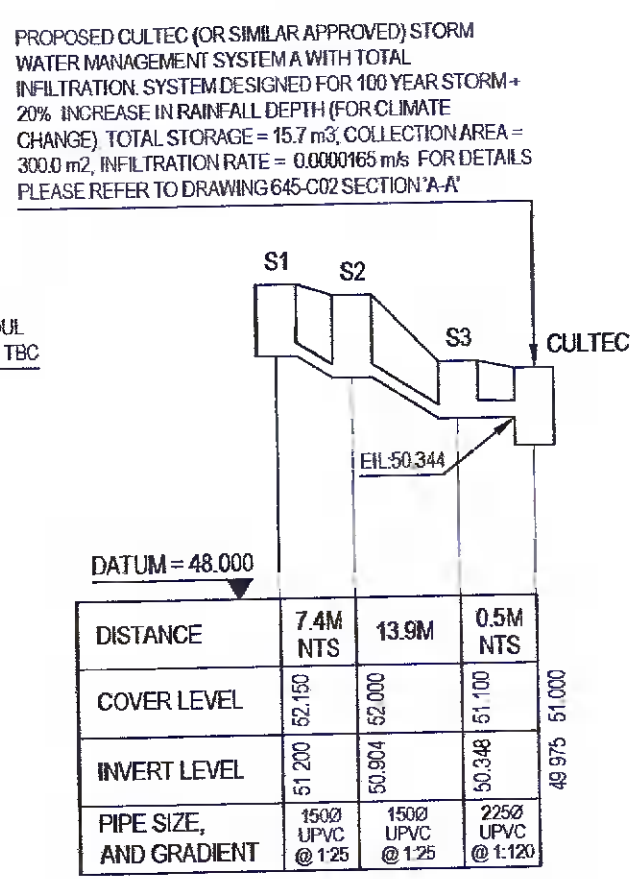


LAYOUT PLAN

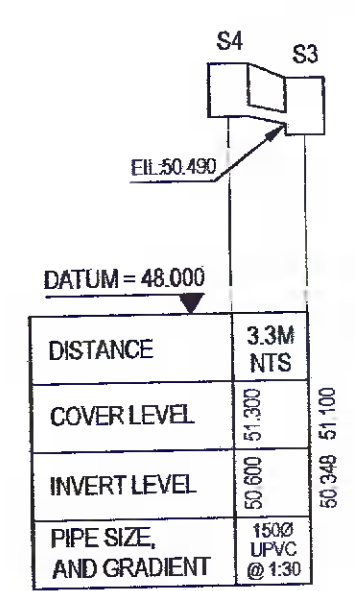
DETAIL 'A'
PROPOSED PRECAST CONCRETE
FOUL WATER PUMPING STATION
SCALE 1:25 @ A2



LONGITUDINAL SECTION
F2 TO EX.F4
SCALE: HORIZONTAL 1:1000
/ VERTICAL 1:100 @ A2




LONGITUDINAL SECTION
S1 TO CULTEC
SCALE: HORIZONTAL 1:1000
/ VERTICAL 1:100 @ A2



LONGITUDINAL SECTION
S4 TO S3
SCALE: HORIZONTAL 1:1000
/ VERTICAL 1:100 @ A2

ADDITIONAL INFORMATION
DECISION ORDER NUMBER: 0067
REGISTER REFERENCE: SD21B/0589

REV.	DATE	DESCRIPTION
CLIENT: BRIAN AND LAUREN MONAGHAN		
PROJECT: TIG MUIRE, OLD BRIDGE ROAD, TEMPLEOGUE, DUBLIN 16		
DRAWING TITLE: DRAINAGE DETAILS		
SCALE: AS NOTED @ A2		
DATE: FEBRUARY 2022		
DRAWING NUMBER: 645-C02		
CLIENT:  STINGRAY ENVIRONMENTAL ENGINEERING LTD. 2 Forgehill Close Stamullen, Co. Meath K32VK76 Tel: 01 694 91 74 Mobile: 085 721 55 90 info@stingrayenvironmental.ie		
DWG. STATUS: ADDITIONAL INFORMATION		DRAWN BY: W. DEBOWSKI
REVISION:		