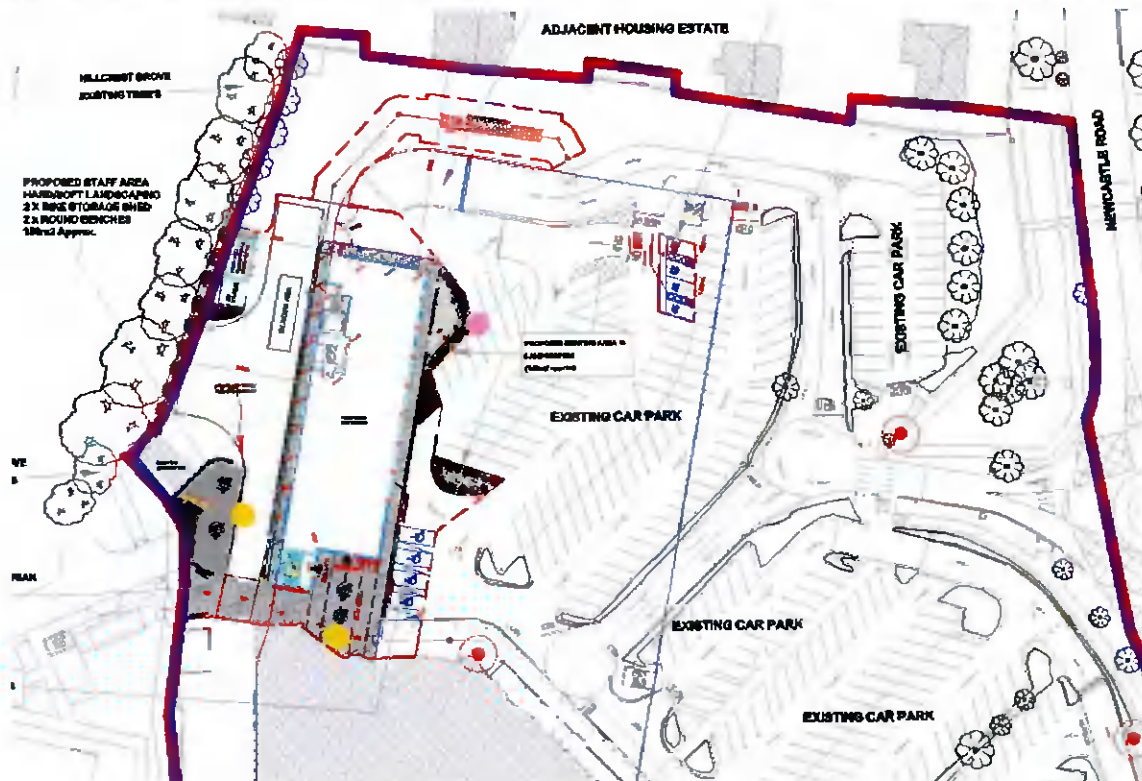


**EXTERNAL LIGHTING DESIGN
PLANNING STAGE SUBMISSION
AT
LUCAN SHOPPING CENTRE, CO. DUBLIN**



Document No: LUSC-MAE-00-ZZ-RP-E-6000
Issue: PL2 – Issued for Planning
Date: 11th January 2022
Prepared By: Keith Phelan
Email: keith@mande.ie
Tel: 01 4508485
Website: www.mande.ie

MandE External Lighting Drawing

Dialux Calculation Layouts for Delivery Yard

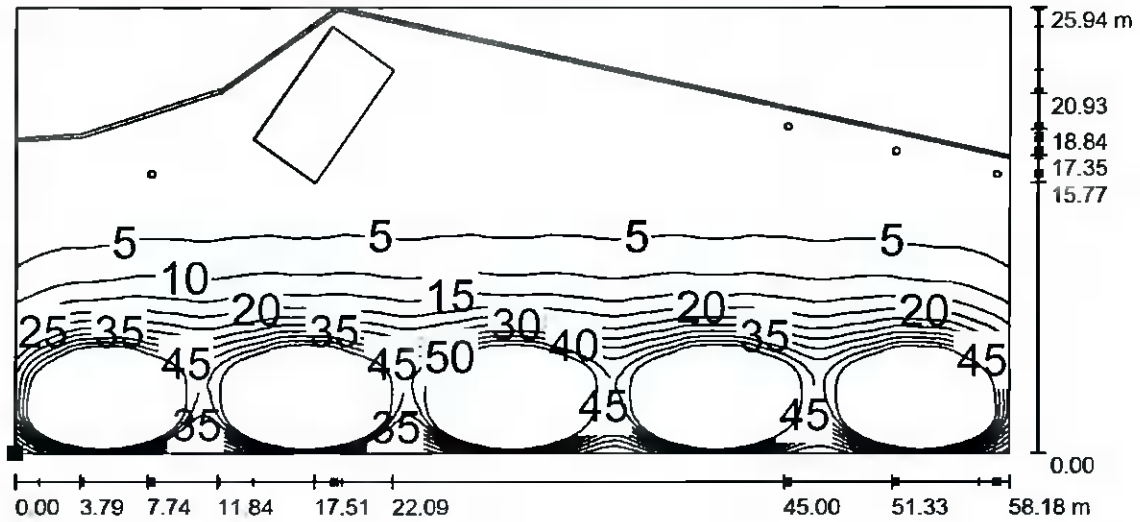


MandE Consulting Engineers

Unit 4 Oak Close, Western Business Park, Dublin D12 R8C6

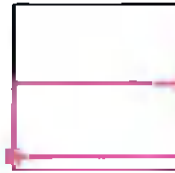
Operator Keith Phelan
 Telephone +353 (1) 4508485
 Fax
 e-Mail keith@mande.ie

Exterior Scene 1 / Calculation Surface 1 / Isolines (E, Perpendicular)



Values in Lux, Scale 1 : 416

Position of surface in external scene:
 Marked point
 (154.314 m, 295.961 m, 0.000 m)



Grid: 128 x 128 Points

E_{av} [lx]
21

E_{min} [lx]
0.04

E_{max} [lx]
128

$u0$
0.002

E_{min} / E_{max}
0.000

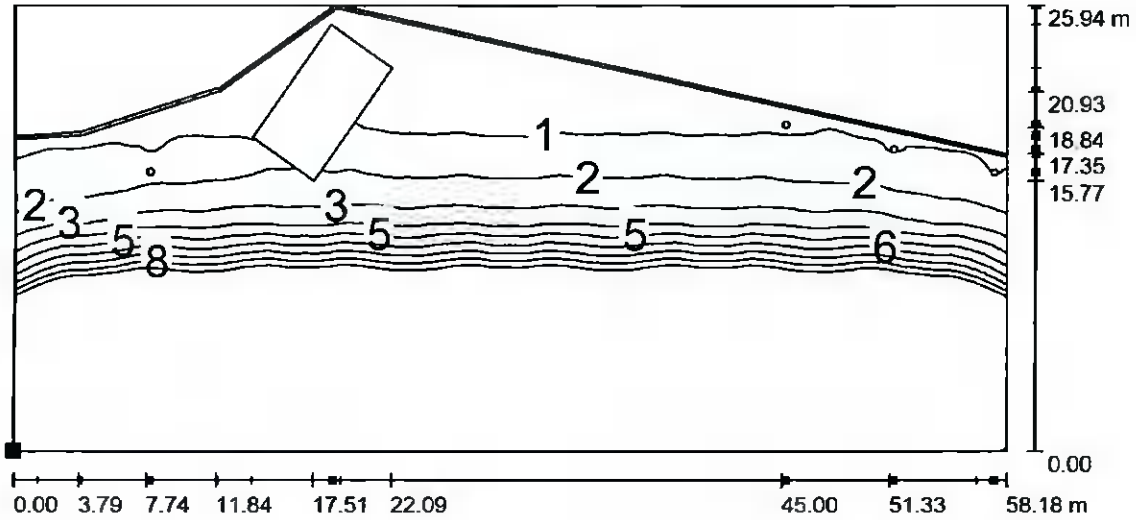


MandE Consulting Engineers

Unit 4 Oak Close, Western Business Park, Dublin D12 R8C6

Operator Keith Phelan
 Telephone +353 (1) 4508485
 Fax
 e-Mail keith@mande.ie

Exterior Scene 1 / Calculation Surface 1 / Isolines (E, Perpendicular)



Values in Lux, Scale 1 : 416

Position of surface in external scene
 Marked point:
 (154.314 m, 295.961 m, 0.000 m)



Grid: 128 x 128 Points

E_{av} [lx]
21

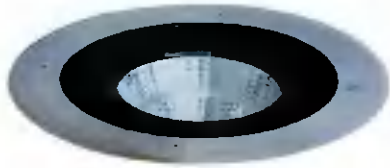
E_{min} [lx]
0.04

E_{max} [lx]
128

$u0$
0.002

E_{min} / E_{max}
0.000

Luminaire Type A Brochure



Compact Groundlite Series



Compact Ground recessed fitting available with 26w Compact Fluorescent lamps or 15-26w LED's

Construction: Die-cast aluminium housing, IP67, IK10 Impact rating, 2mm Lip above Ground Level. Stainless Steel Trim 316L.

Lens: 15mm tempered glass lens. Acid Etched with CFL, clear with LED versions.

Installation: Ground recessed. Drainage area of 300mm required. Separate Frame required for Installation.

Reflector: Flood beam with CFL. Narrow or wide beam with LED.

Finish: Stainless steel trim.

Lamp: 26w CFL, 15/26w LED.

Gear: Electronic as standard.

Options: Square or round stainless steel trim, 12w RGB LED.

Ceiling and wall recessed versions also available. See separate Leaflet.

Warning: Groundlights can be a glare, slip, trip or burn hazard. Vandalism or accidental breakage can result in electrical, glass or trip hazard. Locate to avoid or minimise these hazards.



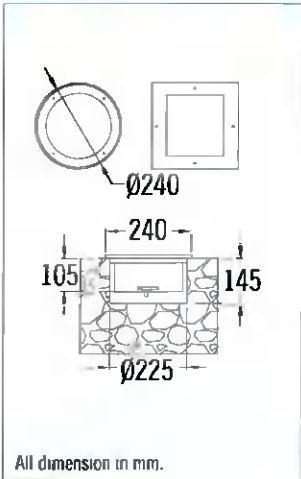
Round Trim



Square Trim



DIMENSIONS



APPLICATION GUIDE

Recessed Groundlite	
26w CFL Flood Beam	
M. Factor = 0.85	
6m High Wall	
Spacings	Average Lux
2m	31
4m	16
6m	11
8m	8

ORDERING CODES

Wattage	Lamp Type	Beam	Sckt	Round Trim	Square Trim	Details
26w	TC-T	118°	Gx24q-3	G.5329.92FA	G.5323.92FA	Gear Integral
26w	1 LED	Asym	-	G.5329.CHA.T	G.5323.CHA.T	LED Driver Integral, 4000k
26w	1 LED	24°	-	G.5329.CHM.T	G.5323.CHM.T	LED Driver Integral, 4000k
26w	1 LED	60°	-	G.5329.CHF.T	G.5323.CHF.T	LED Driver Integral, 4000k
15w	4 LED	13°	-	G.5329.FBP.T	G.5323.FBP.T	LED Driver Integral, 4000k
12w	4 LED	40°	-	G.5329.P3E.T	G.5323.P3E.T	LED Driver 350mA DL Remote, RGB
-	-	-	-	G.017	G.017	Installation Frame

Luminaire Type B Brochure



AREELEDWL



Features

Durable outdoor bi-directional wall light

Only suitable for semi commercial applications

Polycarbonate construction ideal for coastal applications

CCT selectable between 3000K, 4000K and 6000K

Unique lockable installation base plate with push fit loop-in loopout terminals for ease of installation

Discrete PIR option available

LED lifespan L80 54,000 hours

Non-dimmable

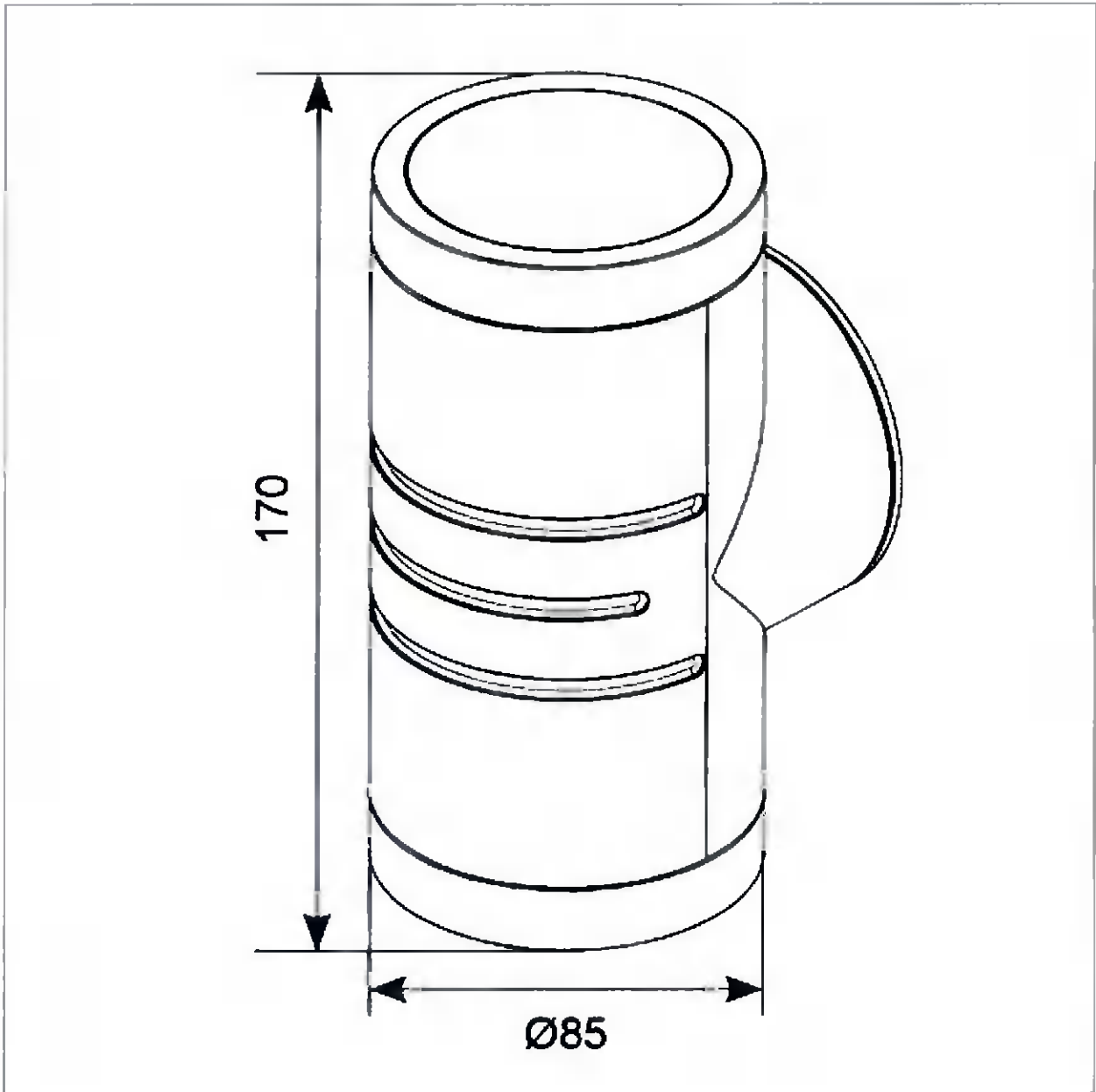
General Information

Lamp Type	LED
IP Rating	IP65
Class Protection	2
Internal / External	Internal / External
Surface / Recessed / Suspended	Surface
Warranty (Years)	3
CE Mark	Yes
Diameter (mm)	85
Height (mm)	170

Technical Information

Wattage	10W
Lumens Delivered	815lm (Warm White), 885lm (Cool White), 860lm (Daylight)
Lm/W	82lm (Warm White), 89lm (Cool White), 86lm (Daylight)
Beam Angle	90
CRI	Ra 80
CCT	3000/4000/6000K
Input	230V
Hertz	50Hz
Operating Temp	-20°C to 40°C

Datasheet generated from <https://onetimepim.com> last updated Tuesday, March 30, 2021 8:29:51 AM



Luminaire Type C Brochure

1898 Rodio - COB asymmetric

Housing: in die-cast aluminium with cooling fins
 Reflector: in high-grade 99,99 aluminium with PVD treatment.
 Diffuser: 5mm thick tempered glass, resistant to thermal shocks and impacts.
 Coating: the standard powder coating consists of a first metal surface pre-treatment stage and of single layer of UV-stabilised, corrosion and salt resistant polyester powder coating.
 On request, coating compliant with UNI EN ISO 9227 Corrosion tests in artificial atmospheres for aggressive environments: 2200K - AMBER (sub-code -73)
 Equipment: external connector for quick installation. Silicone rubber gasket, external screws and bolts in stainless steel; air recirculation valve. Power factor: 0,9
 Photobiological risk: exempt, pursuant to EN62471
 Luminous flux maintenance 80% 50.000h (L80B20). Wind surface: L.390cm² F.1420cm²



Code	Gear	Kg	Lumen Output-K-CRI	Wtot	Colour
414920-00	CLD	5.50	LED COB-8553lm-4000K-CRI 80	79 W	GRAPHITE
414921-00	CLD	5.42	LED COB-10932lm-4000K-CRI 80	103 W	GRAPHITE
414922-00	CLD	5.34	LED COB-14189lm-4000K-CRI 80	129 W	GRAPHITE
414920-39	CLD	5.41	LED COB-8125lm-3000K-CRI 80	79 W	GRAPHITE
414921-39	CLD	5.45	LED COB-10386lm-3000K-CRI 80	103 W	GRAPHITE
414922-39	CLD	5.57	LED COB-13347lm-3000K-CRI 80	129 W	GRAPHITE
414923-00	CLD	6.40	LED COB-21050lm-4000K-CRI 80	195 W	GRAPHITE

Accessories



Icons representing various certifications and features: CE, RoHS, IP66, CLD, IK08, +40°C, -20°C, LUMEN 609227, R60, and others.

- Download**
- DXF 2D - 11188.dxf
 - SDS - disano_1898_rodio_3ds
 - 3DM - disano_1898_rodio_3dm
 - Managgi - 1898_rodio.pdf
 - BIM - 1898_Rodio - COB asymmetric - 20227.dwg

The reported luminous flux is the flux emitted by the light source with an accuracy of ± 1% compared to the indicated value. The Wtot column indicates the total wattage absorbed by the system without exceeding 10% of the indicated

Luminaire Type D Brochure



ALUCLED/G/M3



Features

IP66 rated die-cast aluminium construction with tamper-proof stainless steel allen key screws to retain opal polycarbonate diffuser and frame.

One product with integral switches for multi-wattage and selectable CCT options.

18W exceeds performance of 38W TC-DD

27W exceeds performance of 2x26W PL-C

Powered by Tridonic

LED lifespan L70 60,000 hours.

Non-dimmable.

General Information

Lamp Type	LED
Colour / Finish	Graphite
Emergency	Yes
IP Rating	IP66
IK Rating	IK08
Class Protection	1
Internal / External	External
Surface / Recessed / Suspended	Surface
Warranty (Years)	5
CE Mark	Yes
Diameter (mm)	298
Depth (mm)	99

Technical Information

Wattage	18/27W
Lumens Delivered	1149/1622lm(Cool White, 18/27W), 1091/1563lm(Warm White, 18/27W)
Lm/W	64/60lm(Cool White, 18/27W), 61/58lm(Warm White, 18/27W)
CRI	Ra 80
CCT	3000/4000K
Input	220-240V
Hertz	50/60Hz
Operating Temp	-20°C to 25°C

Datasheet generated from <https://onetimepim.com> last updated Friday, March 26, 2021 11:29:11 AM



