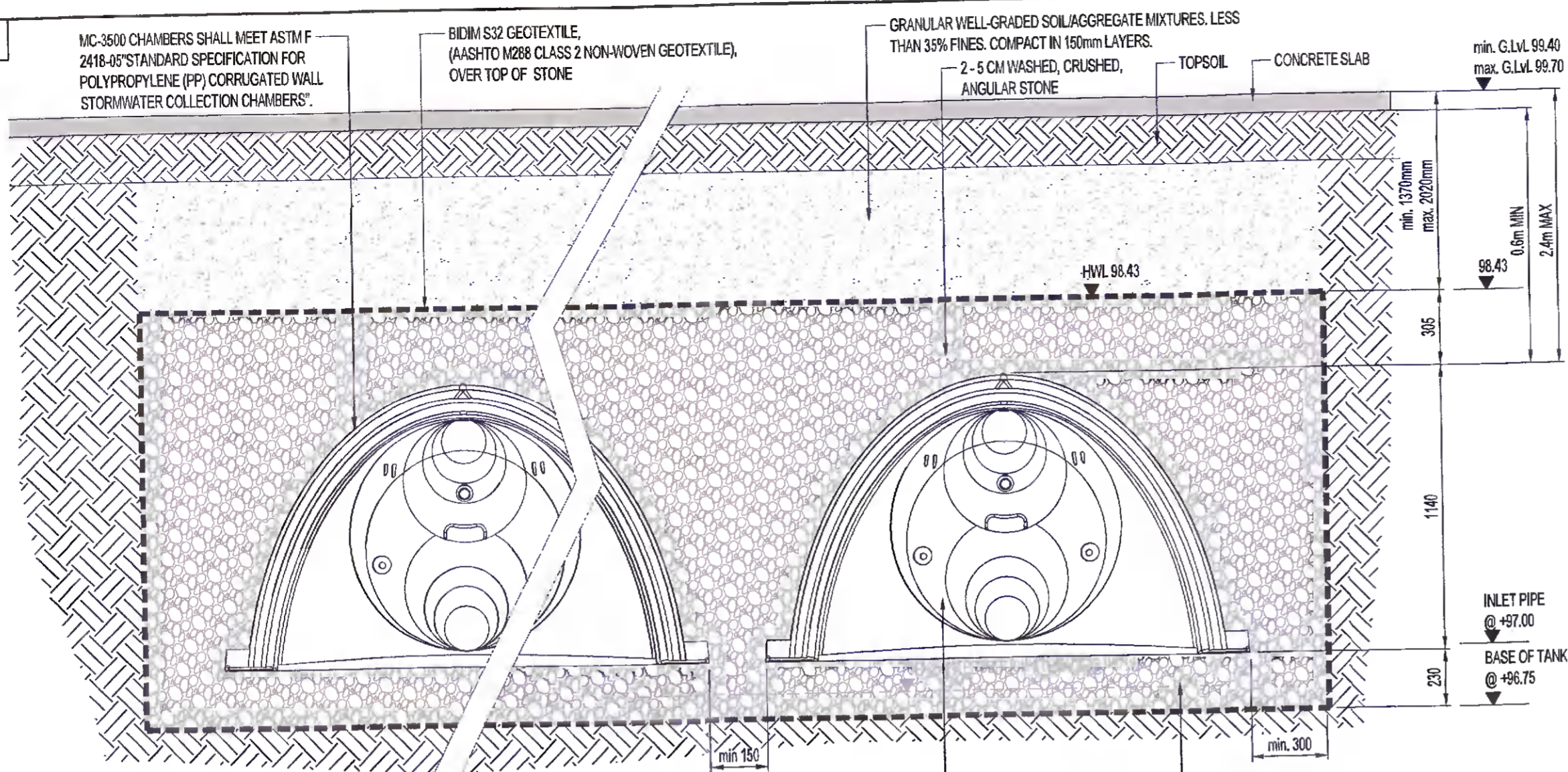
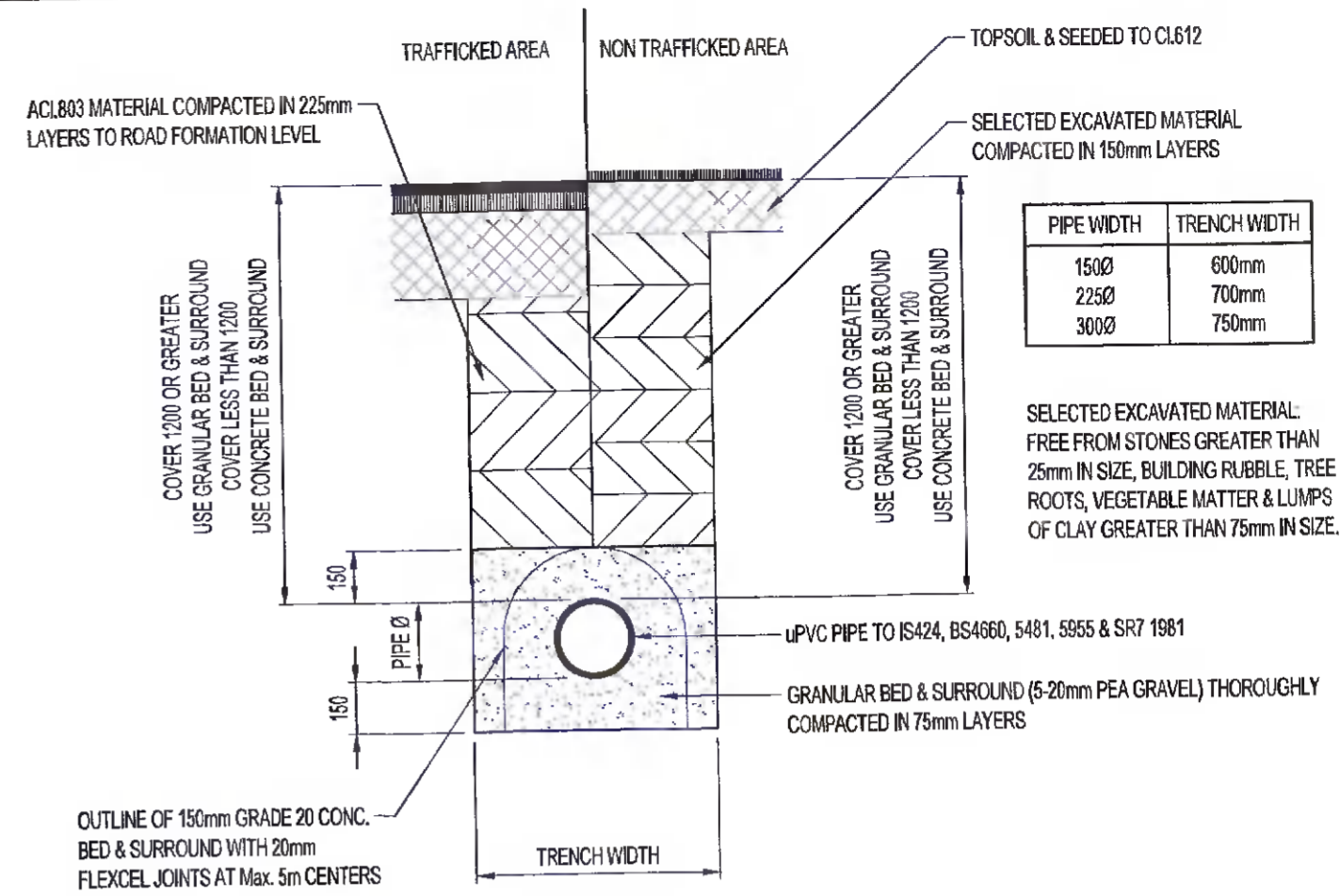


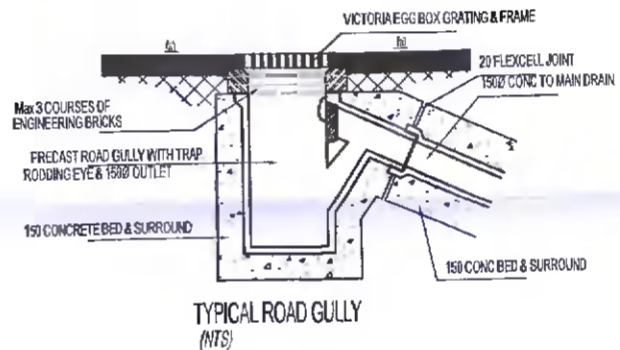
A2



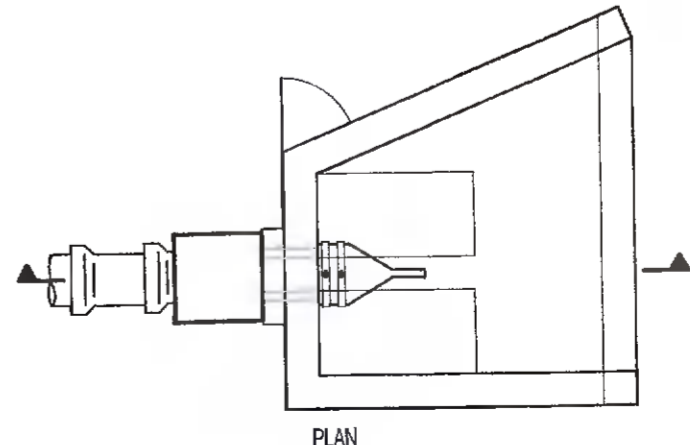
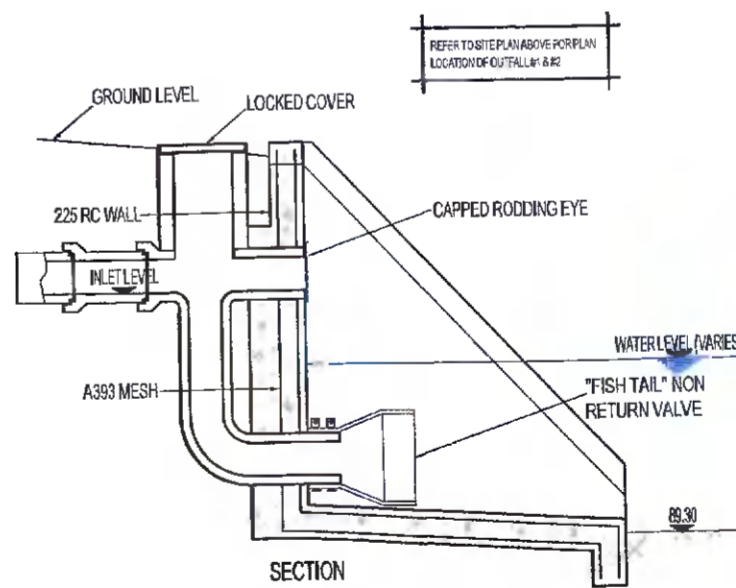
UNIT 1:
STORMTECH CHAMBER MC3500 CROSS SECTION DETAIL
NTS



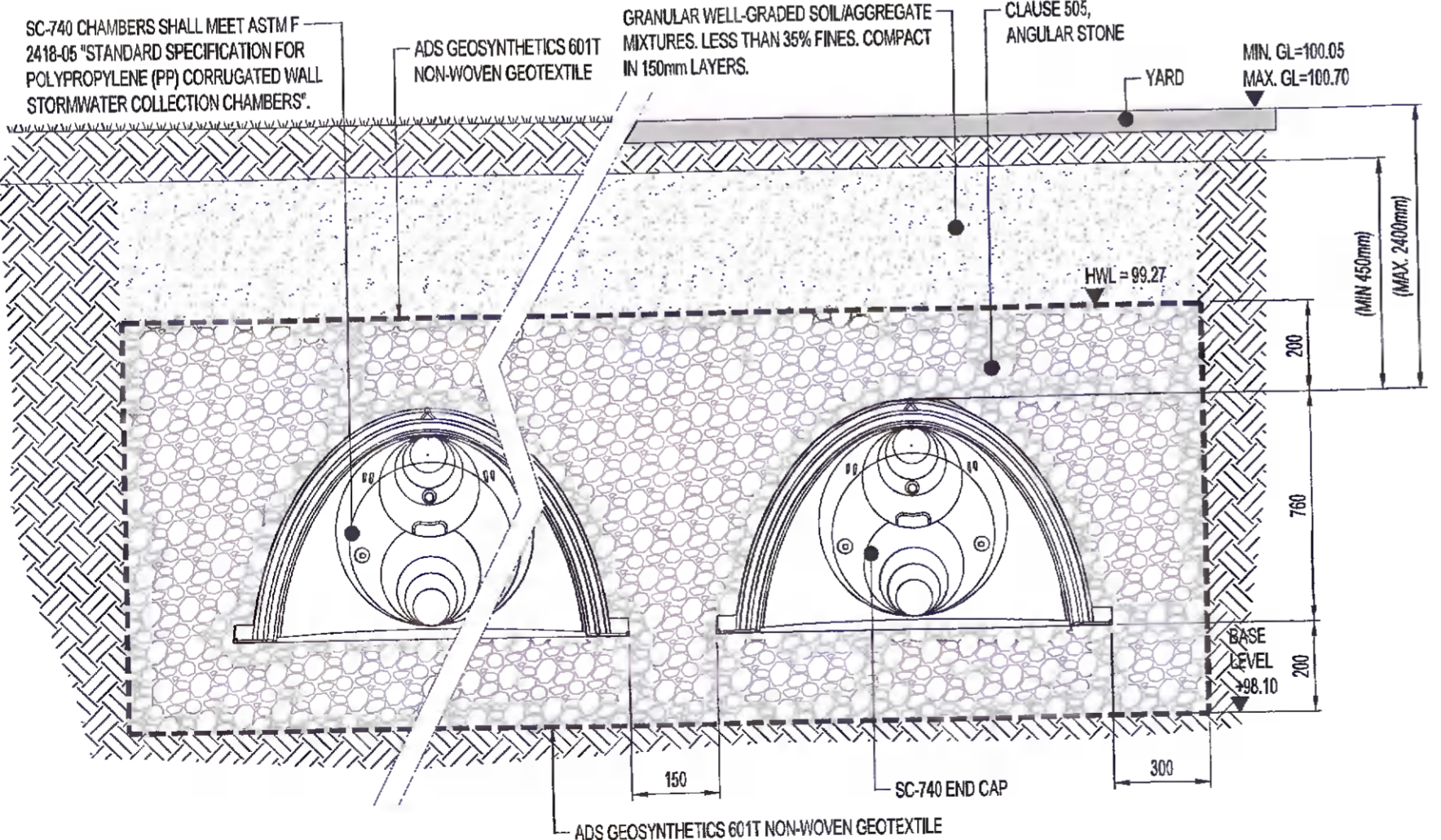
TYPICAL MAIN DRAINAGE TRENCH
NTS



TYPICAL ROAD GULLY
NTS



TYPICAL DETAIL OF HEADWALL
NTS



UNIT 2:
STORMTECH CHAMBER SC740 CROSS SECTION DETAIL
NTS

Mark	Date	By	Chk	App.	Revision
PL2	31/01/2022	ED	-	-	ISSUED FOR PLANNING ADDITIONAL INFORMATION
PL1	08/02/2021	ED	-	PK	ISSUED FOR PLANNING

Drawing Status
PLANNING (A.I.)

Job Title
WAREHOUSE DEVELOPMENT AT BROWNSBARN, CITYWEST CAMPUS, DUBLIN 24

Drawing Title
DRAINAGE DETAILS ATTENUATION SYSTEM CROSS SECTION, TYPICAL TRENCH, ROAD GULLY & HEADWALL

Author/Client
Exeter Ireland Property IV B Limited

KAVANAGH BURKE CONSULTING ENGINEERS

Tel. 01-450 0694 Unit G3, Calmount Pk. Ballymount, Dublin 12.
Fax. 01-426 4340
Email: pkavanagh@kavanaghburke.ie

Dim ED Checked Approved PK
Scale NTS Date January 2022

Job No. D1678 Drawing No. D5 Rev. PL2